

PRODUCT

Information



Design Roller Blind M-bracket
Double Cord, Woven Bamboo Thin Sticks



Roman Shade Classic System
Pulling Cord, Natural Fabric



Roll Up Solid System
Motion Battery, Natural Fabric



Venetian Blind Solid System
Pulling Cord, Oiled Slats



Venetian Blind Solid System
Pulling Cord, Painted Slats



Venetian Blind Solid System
Pulling Cord, Painted Slats

CONTENT

Product Descriptions

Design Roller Blinds

	M-bracket	L-bracket	M-Cassette
Endless chain	9	9	53
Double cord	17	17	57
Double chain	17	17	57
Motion battery	31	31	65
Motion 230 V	45	45	68

Roman Shades

	Classic System	English System	Ultra System	Solid System
Pulling cord	77	81		
Endless chain			85	
Double cord			89	
Double chain			93	
Motion battery			97	101
Motion 230 V				107

Roll Ups

	Classic System	English System	Solid System
Pulling cord	116	114	
Motion battery			119
Motion 230 V			122

Venetian Blinds

	Small System	Solid System
Pulling cord	135	143
Endless chain	131	
Double cord		147
Double chain		151
Motion battery	139	
Motion battery motor cord		159
Motion battery motor chain		163
Motion 230 V		155

CONTENT

Technical Drawings

Design Roller Blinds

	M-bracket	L-bracket	M-Cassette
Endless chain	10 - 13	14 - 15	54 - 55
Double cord	18 - 21	26 - 27	61 - 63
Double chain	22 - 25	28 - 29	58 - 61
Motion battery	32 - 39	40 - 43	66 - 67
Motion 230 V	46 - 49	50 - 51	69 - 71

Roman Shades

	Classic System	English System	Ultra System	Solid System
Pulling cord	78 - 79	82 - 83		
Endless chain			86 - 87	
Double cord			90 - 91	
Double chain			94 - 95	
Motion battery			98 - 99	102 - 105
Motion 230 V				108 - 109

Roll Ups

	Classic System	English System	Solid System
Pulling cord	117	115	
Motion battery			120 - 121
Motion 230 V			123

Venetian Blinds

	Small System	Solid System
Pulling cord	136 - 137	144 - 145
Endless chain	132 - 133	
Double cord		148 - 149
Double chain		152 - 153
Motion battery	140 - 141	
Motion battery motor cord		160 - 161
Motion battery motor chain		164 - 165
Motion 230 V		156 - 157





DESIGN ROLLER BLIND

Product Information

Design	Woven Bamboo Thin Sticks (S140 - S183) & Custom colors	Woven Bamboo Flat Sticks (S184 - S224) & Custom colors	Natural Fabrics (S225 - S248)	Natural Fabrics (S257 - S259)
PULLING CORD / DOUBLE CORD / DOUBLE CHAIN				
Min. product width	60 cm	60 cm	60 cm	60 cm
Max. m ²	see price list	see price list	see price list	see price list
Max. product width	240 cm	240 cm	240 cm	240 cm
MIN. PRODUCT WIDTH BATTERY MOTORS				
CM-06	80 cm	80 cm	80 cm	80 cm
CM-06-E-R	85 cm	85 cm	85 cm	85 cm
MIN. PRODUCT WIDTH 230 V MOTORS				
CM-09-QC	80 cm	80 cm	80 cm	80 cm
CM-09-QMC	80 cm	80 cm	80 cm	80 cm
Somfy Sonesse 40 RTS	70 cm	70 cm	70 cm	70 cm
Somfy Sonesse 40 WT	65 cm	65 cm	65 cm	65 cm
Max. m ²	see price list	see price list	see price list	see price list
Max. product width	240 cm	240 cm	240 cm	240 cm

ND
SUBLIME
collection

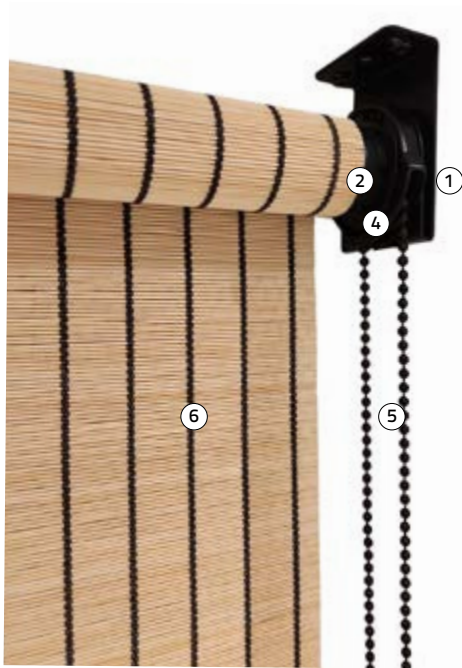


DESIGN ROLLER BLIND M-BRACKET, MOTION BATTERY

ND
SUBLIME
collection

Design Roller Blind M/L-Bracket

endless chain



- ① M-bracket
- ② Tube
- ③ Guide disc
- ④ Mechanism
- ⑤ Metal chain
- ⑥ Material



NEW: guide disc

Price list

Page 6 - 11

Collection book

Woven Bamboo Thin Sticks (S140-S183)
 Woven Bamboo Flat Sticks (S184-S224)
 Natural Fabrics (S225-S248, S257-S259)

Description

Aluminium tube in black, white or custom color; Design brackets with an industrial steel look in black, white or custom color; mechanism made from pvc in black or white; operating chain from metal, colors see sample card CHAINS & TASSELS; wooden bottom rail in the color of the material or similar; color of the material and combinations see collection books and design overviews; aluminium mounting profile for easy installation (for M-brackets only, surcharge), color white and black, additional surcharge for custom colors.

Material

Woven bamboo or natural fabrics see collection books and design overviews:
 Woven Bamboo Thin Sticks, Woven Bamboo Flat Sticks, Natural Fabrics

Operating

With endless chain, length of your choice

Additions (surcharge see price list)

- Custom colors for material woven bamboo, brackets, tube and bottom rail
- Mounting profile in white and black
- Custom colors mounting profile additional surcharge
- Side cables in silver, white and black, for on de wall and on the ceiling

Mounting

Universal-brackets for wall and ceiling

Product dimensions

Min. width 60 cm
 Max. width 240 cm
 Min. height 80 cm
 Max. height 300 cm
 Max. m² see price list

M-bracket

Ceiling mounting:

M-bracket (incl. **guide disc M** and bottom rail):
 width 97 mm, height 127,5 mm

Wall mounting:

M-bracket (incl. **guide disc M** and bottom rail):
 width 102,5 mm, height 122 mm

Ceiling mounting with mounting profile:

M-bracket (incl. **guide disc S** and bottom rail):
 width 73 mm, height 118,8 mm

Wall mounting with mounting profile:

M-bracket (incl. **guide disc S** and bottom rail):
 width 93,8 mm, height 98 mm

L-bracket

Ceiling mounting:

L-bracket (incl. **guide disc L** and bottom rail):
 width 105 mm, height 153,9 mm

Wall mounting:

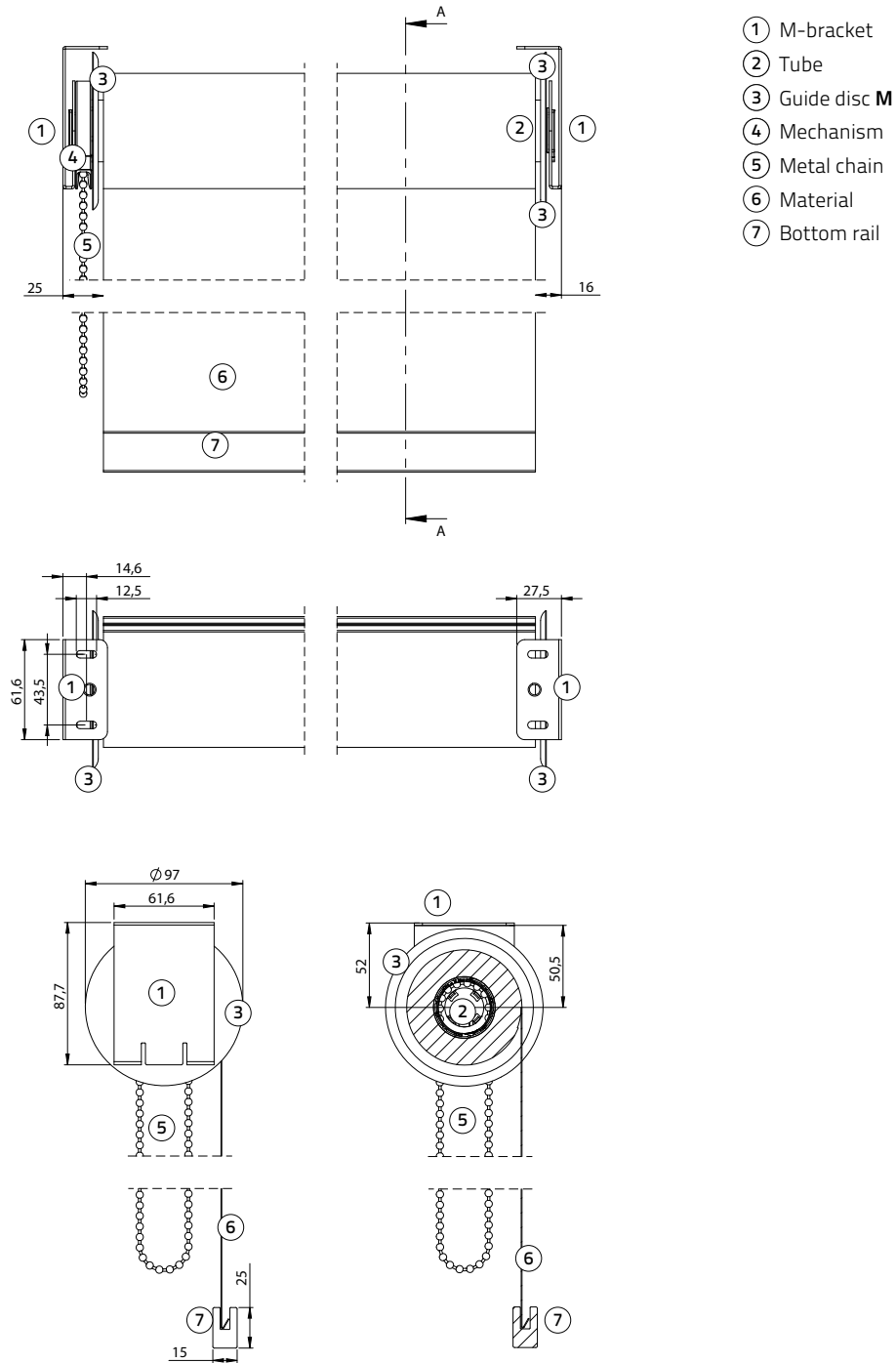
L-bracket (incl. **guide disc L** and bottom rail):
 width 128,9 mm, height 130 mm

For L-brackets mounting profile not possible

Wooden bottom rail: width 15 mm, height 25 mm

Design Roller Blind M-Bracket

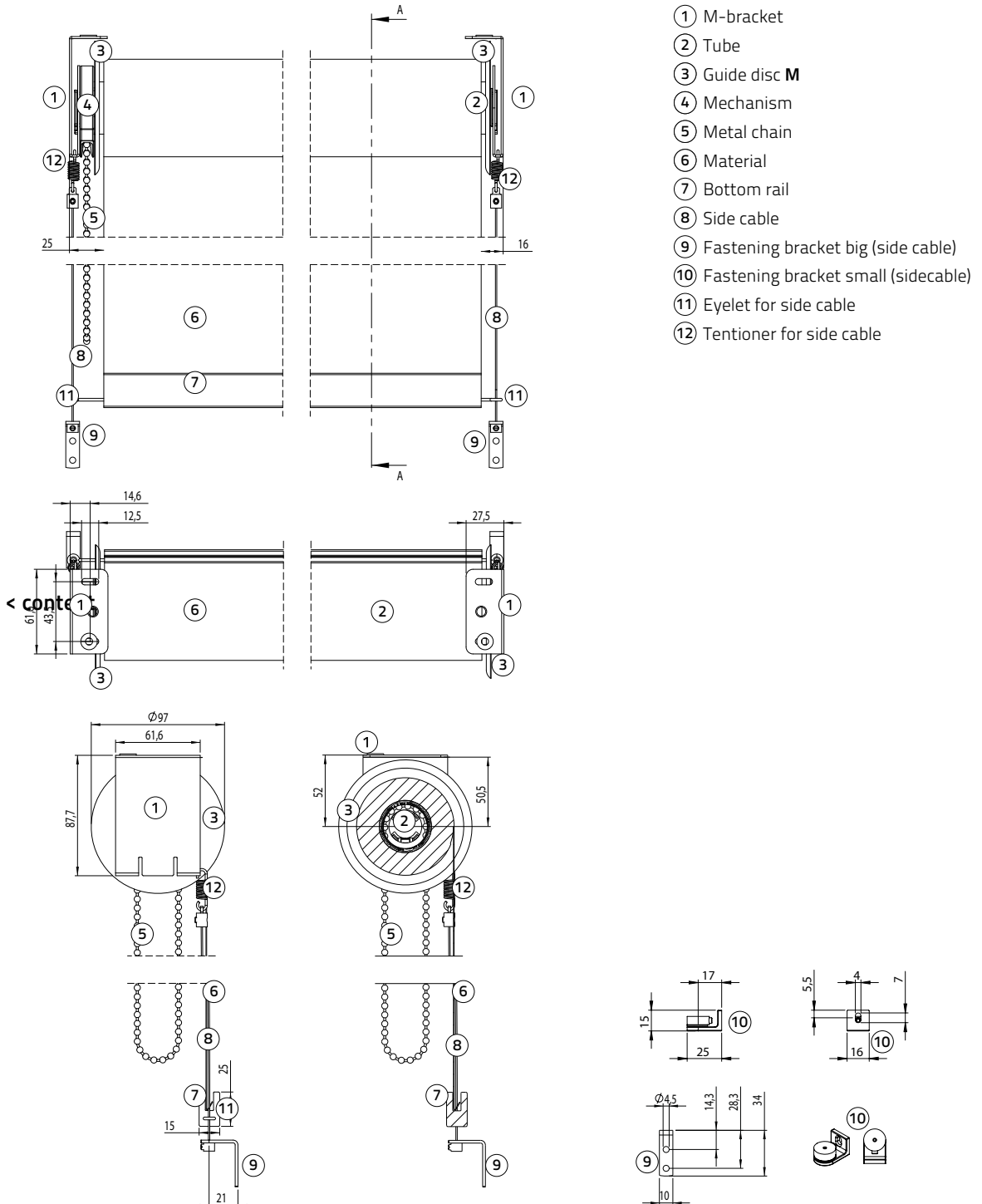
endless chain



- ① M-bracket
- ② Tube
- ③ Guide disc **M**
- ④ Mechanism
- ⑤ Metal chain
- ⑥ Material
- ⑦ Bottom rail

Design Roller Blind M-Bracket

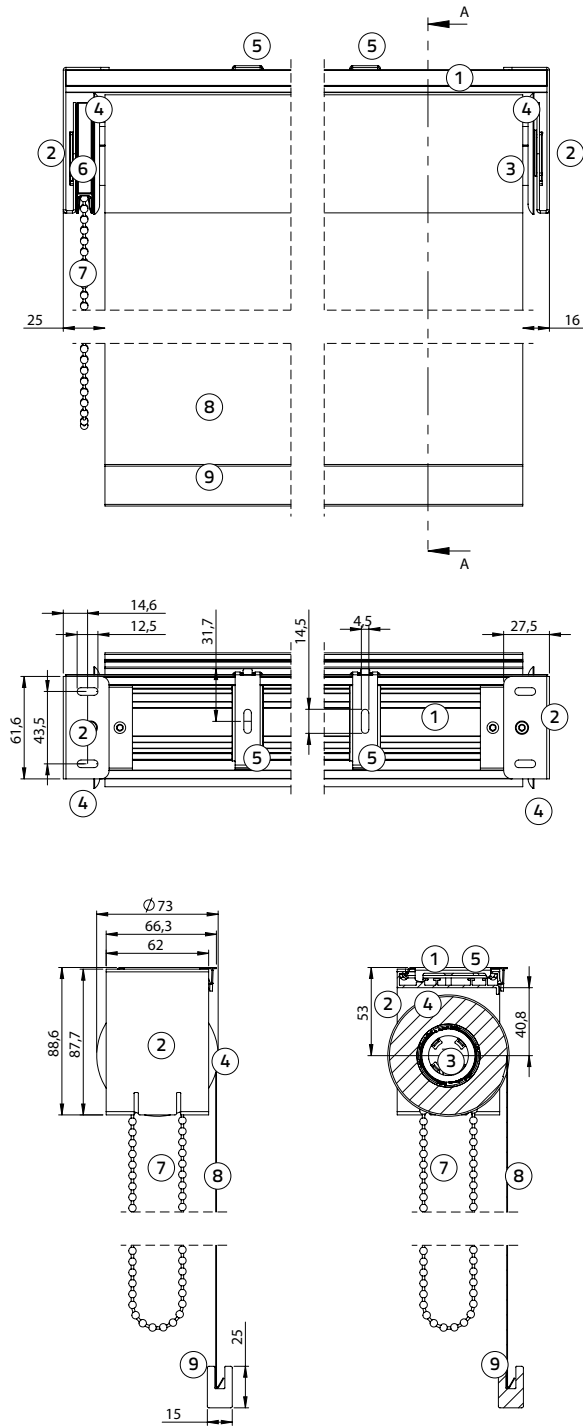
Endless chain, side cables



- ① M-bracket
- ② Tube
- ③ Guide disc **M**
- ④ Mechanism
- ⑤ Metal chain
- ⑥ Material
- ⑦ Bottom rail
- ⑧ Side cable
- ⑨ Fastening bracket big (side cable)
- ⑩ Fastening bracket small (sidecable)
- ⑪ Eyelet for side cable
- ⑫ Tentioner for side cable

Design Roller Blind M-Bracket

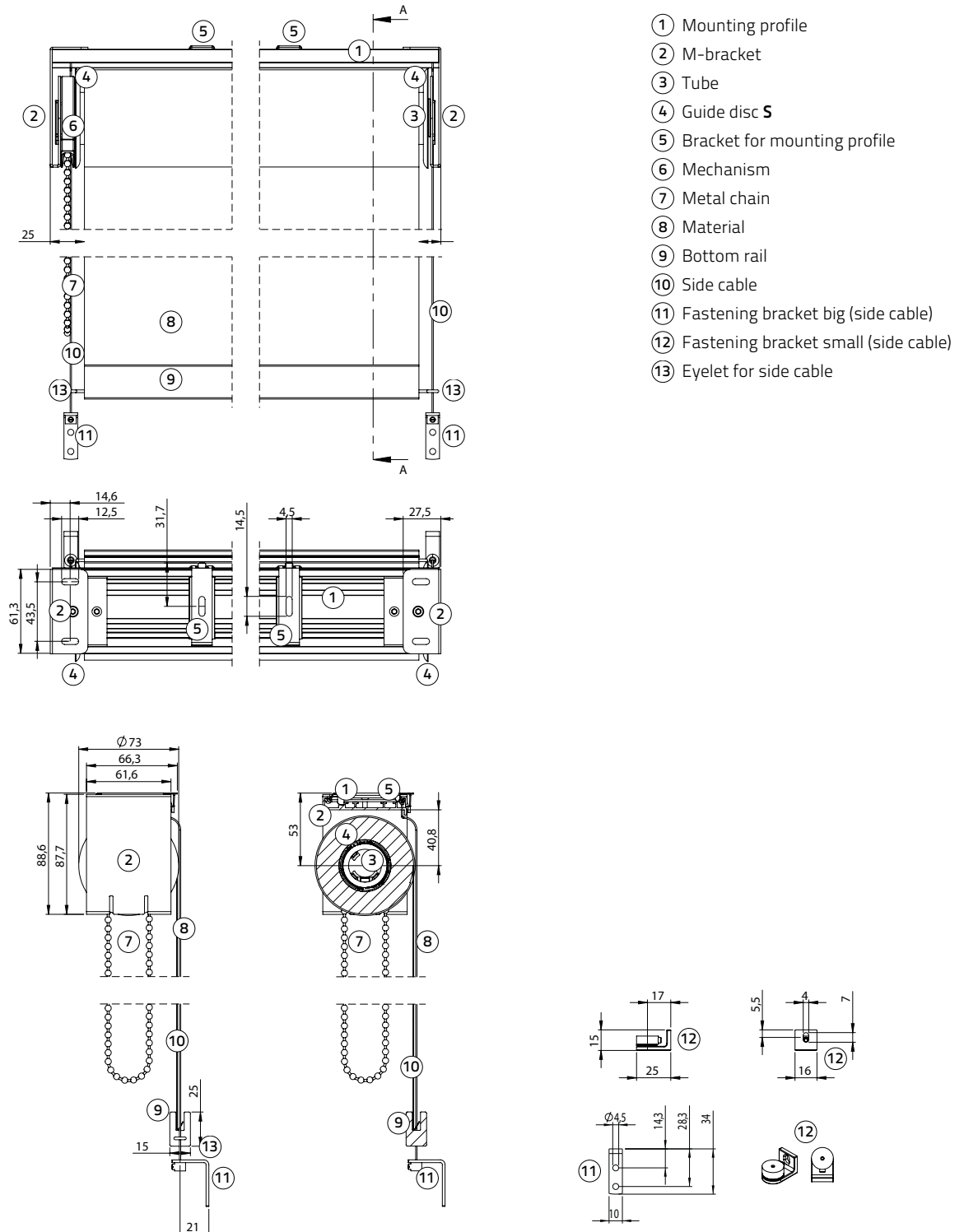
Endless chain, mounting profile



- ① Mounting profile
- ② M-bracket
- ③ Tube
- ④ Guide disc S
- ⑤ Bracket for mounting profile
- ⑥ Mechanism
- ⑦ Metal chain
- ⑧ Material
- ⑨ Bottom rail

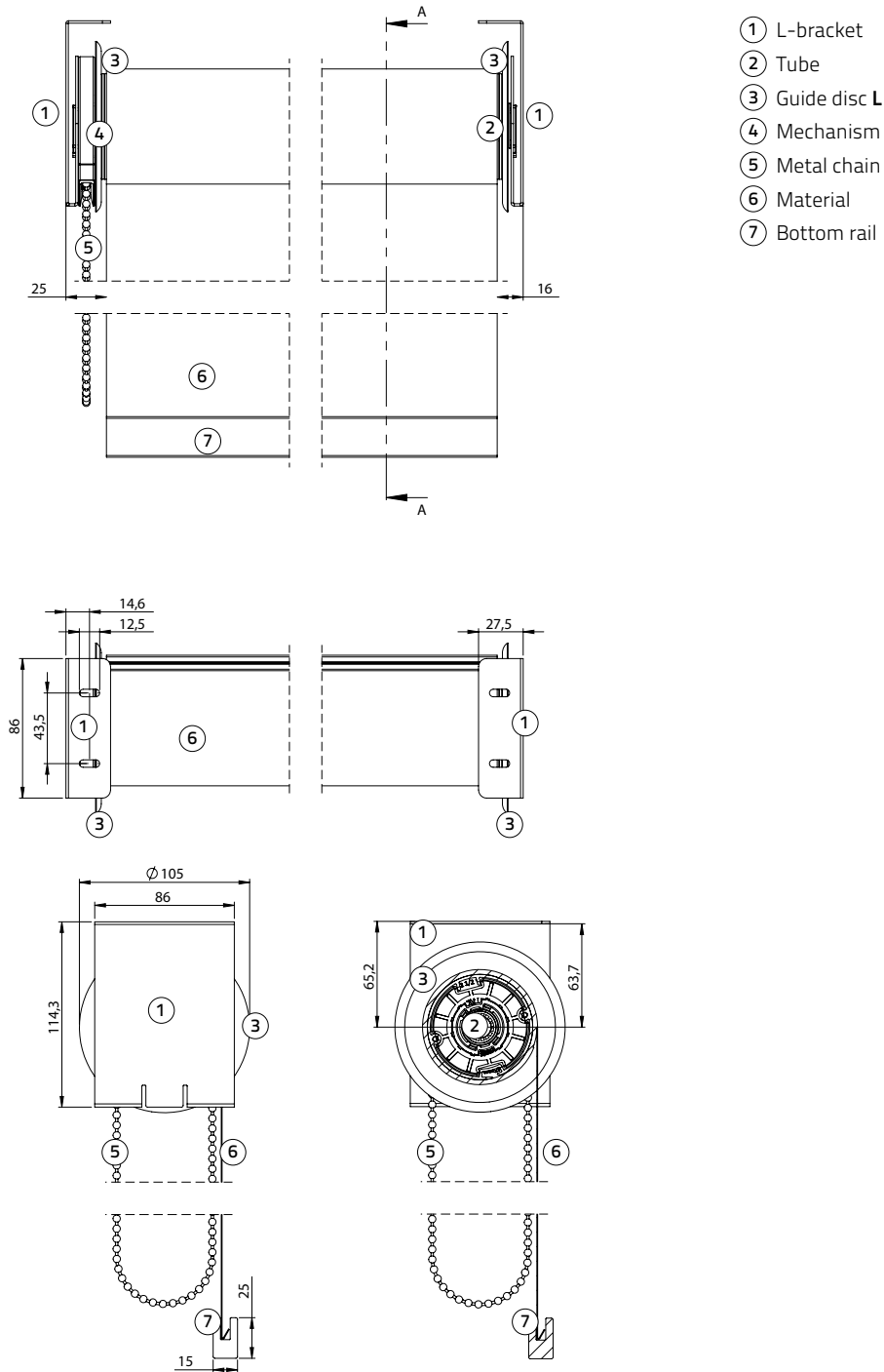
Design Roller Blind M-Bracket

Endless chain, mounting profile, side cables



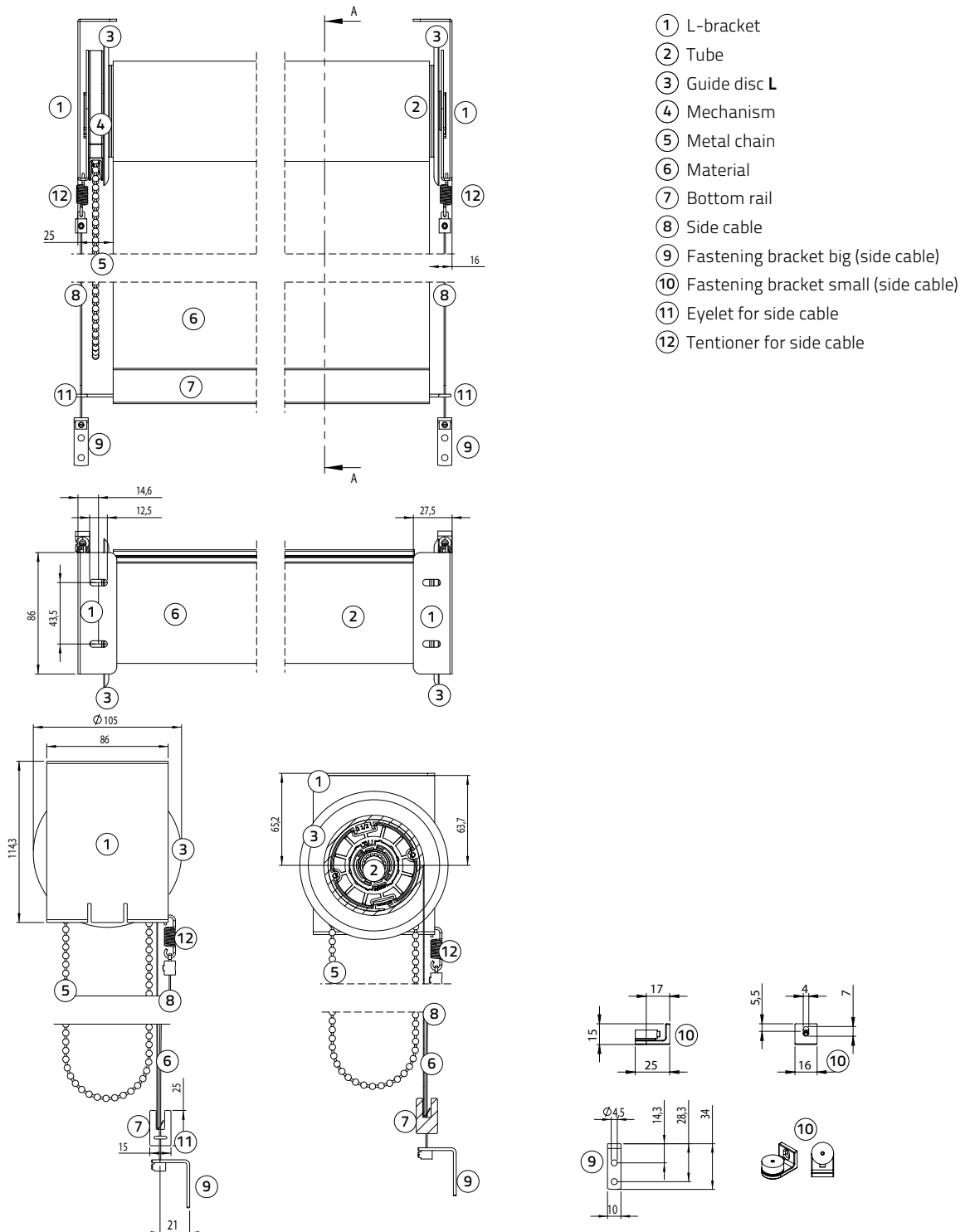
Design Roller Blind L-Bracket

endless chain



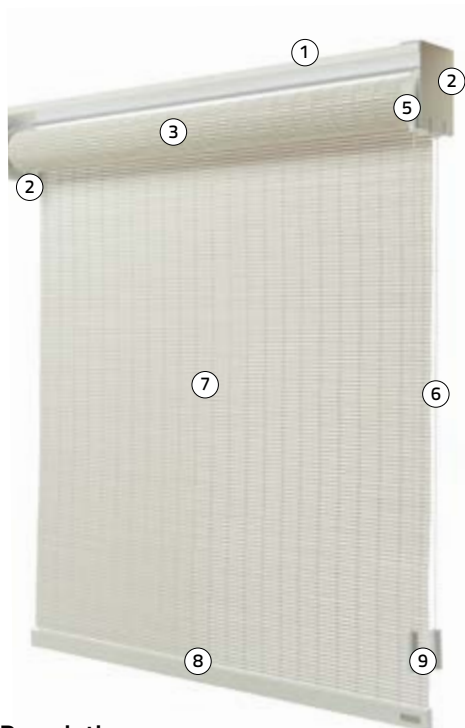
Design Roller Blind L-Bracket

endless chain, side cables



Design Roller Blind M/L-Bracket

double cord / double chain



- ① Mounting profile
- ② M-bracket
- ③ Tube
- ④ Guide disc
- ⑤ Mechanism double cord
- ⑥ Double cord
- ⑦ Material
- ⑧ Bottom rail
- ⑨ Tassels



Price list

Page 6 - 11

Collection book

Woven Bamboo Thin Sticks (S140-S183)
Woven Bamboo Flat Sticks (S184-S224)
Natural Fabrics (S225-S248, S257-S259)

Description

Aluminium tube in black, white or custom color, design brackets with an industrial steel look in black, white or custom color; mechanism made from pvc in black or white, double cord see sample card PULLING CORDS 5; metal double chain colors see sample card CHAINS & TASSELS; for double cord (standard wooden tassels) and double chain (standard metal tassels) see sample cards CHAINS & TASSELS; wooden bottom rail in the color of the material or similar; colors of the material and combinations see collection books and design overviews; mounting profile for easy installation in color white and black (for M-brackets only, surcharge), custom color possible with additional surcharge.

Material

Woven bamboo or natural fabrics see collection books and design overviews:
Woven Bamboo Thin Sticks, Woven Bamboo Flat Sticks, Natural Fabrics

Operating

With double cord or chain, length of your choice, no need of child safety tassel

Additions (surcharge see price list)

- Custom colors for material woven bamboo, brackets, tube and bottom rail
- Mounting profile in white and black
- Custom colors mounting profile additional surcharge
- Side cables in silver, white and black, for on de wall and on the ceiling
- Glass crystal tassels

Mounting

Universal-brackets for wall and ceiling

Product dimensions

Min. width 60 cm
Max. width 240 cm
Min. height 80 cm
Max. height 300 cm
Max. m² see price list

M-bracket

Ceiling mounting:
M-bracket (incl. **guide disc M** and bottom rail):
width 97 mm, height 127,5 mm
Wall mounting:
M-bracket (incl. **guide disc M** and bottom rail):
width 102,5 mm, height 122 mm
Ceiling mounting with mounting profile:
M-bracket (incl. **guide disc S** and bottom rail):
width 73 mm, height 118,8 mm
Wall mounting with mounting profile:
M-bracket (incl. **guide disc S** and bottom rail):
width 93,8 mm, height 98 mm

L-bracket

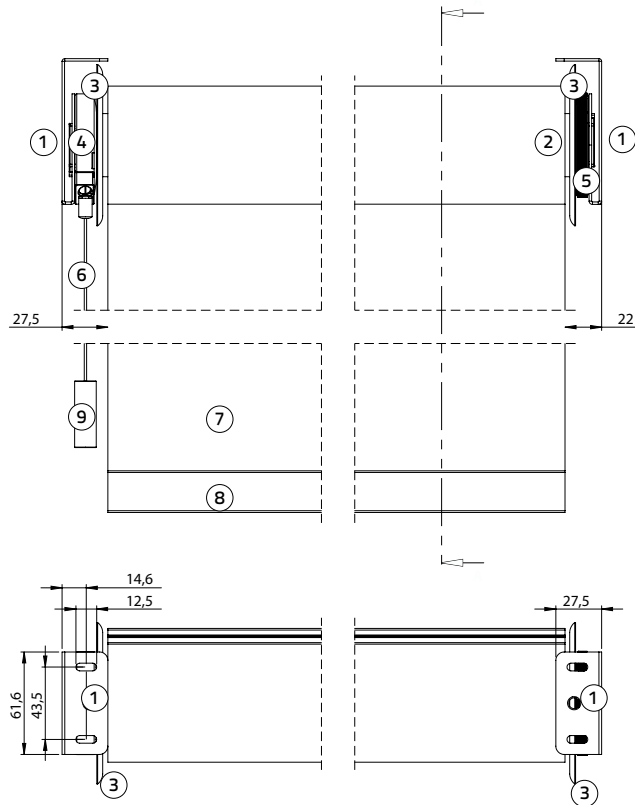
Ceiling mounting:
L-bracket (incl. **guide disc L** and bottom rail):
width 105 mm, height 153,9 mm
Wall mounting:
L-bracket (incl. **guide disc L** and bottom rail):
width 128,9 mm, height 130 mm

For L-brackets mounting profile not possible

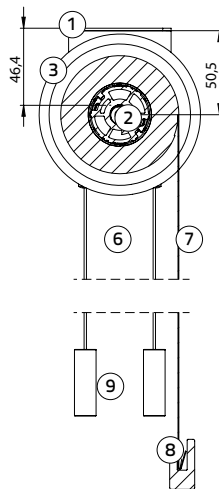
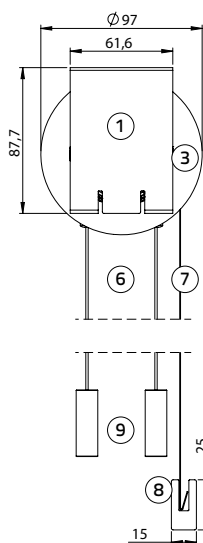
Wooden bottom rail: width 15 mm, height 25 mm

Design Roller Blind M-Bracket

double cord

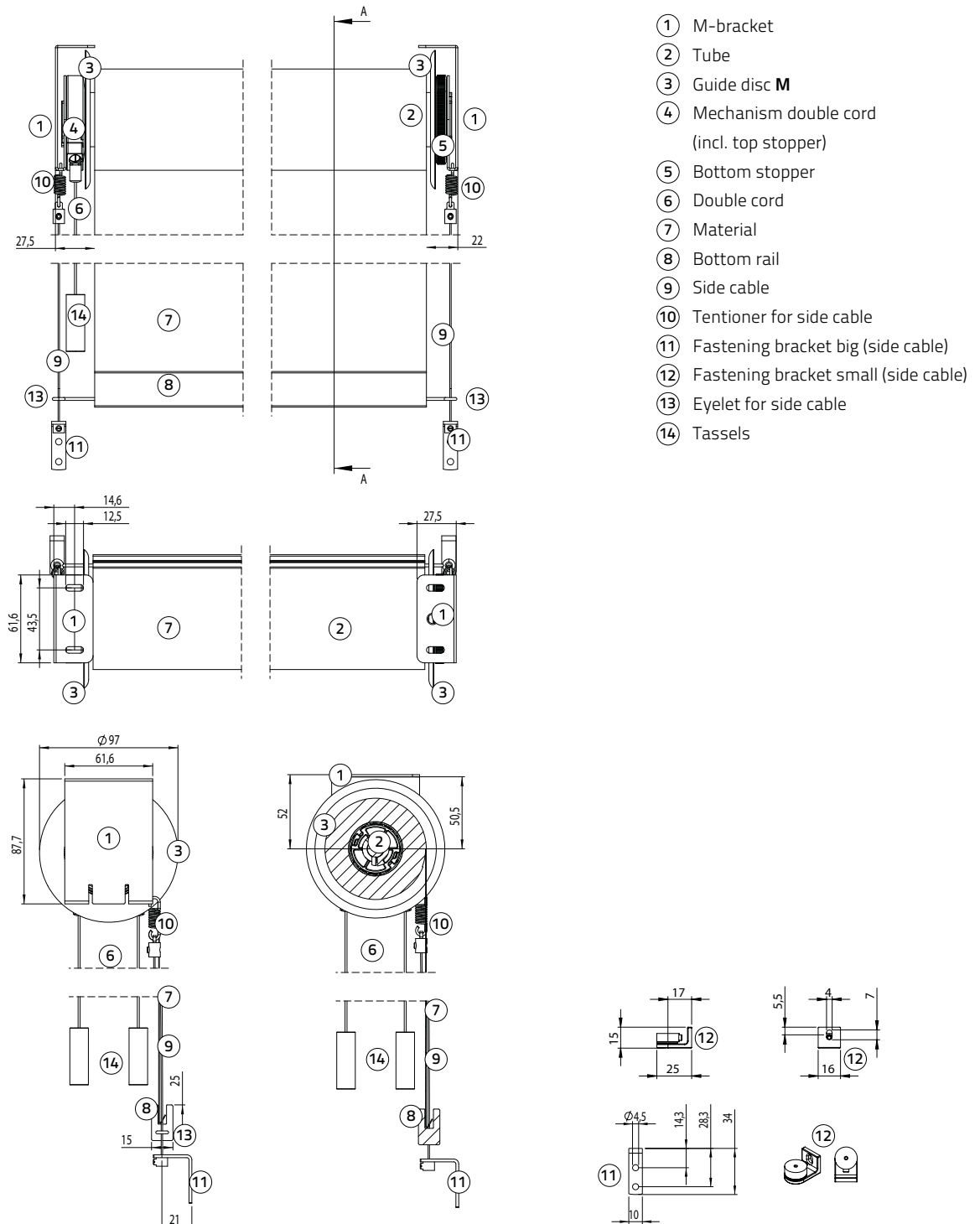


- ① M-bracket
- ② Tube
- ③ Guide disc **M**
- ④ Mechanism double cord (incl. top stopper)
- ⑤ Bottom stopper
- ⑥ Double cord
- ⑦ Material
- ⑧ Bottom rail
- ⑨ Tassels



Design Roller Blind M-Bracket

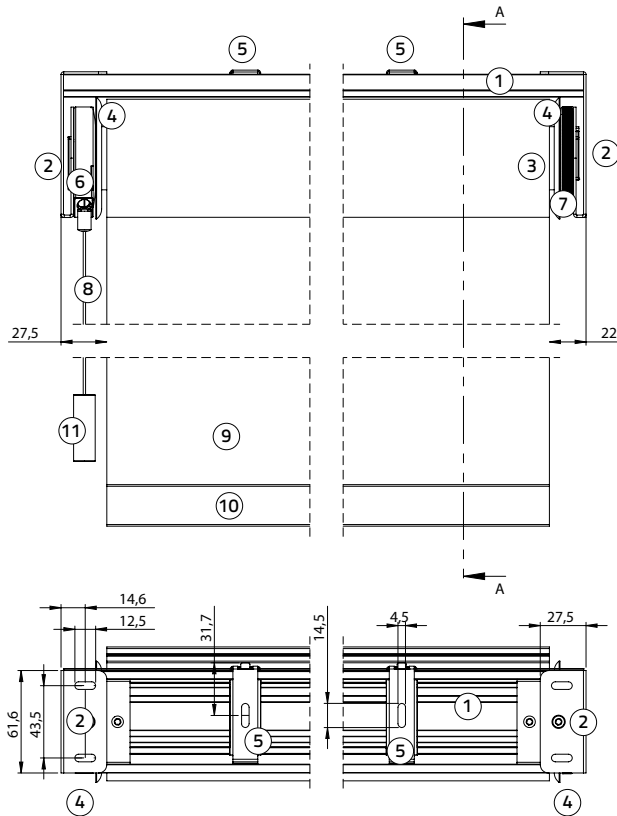
double cord, side cables



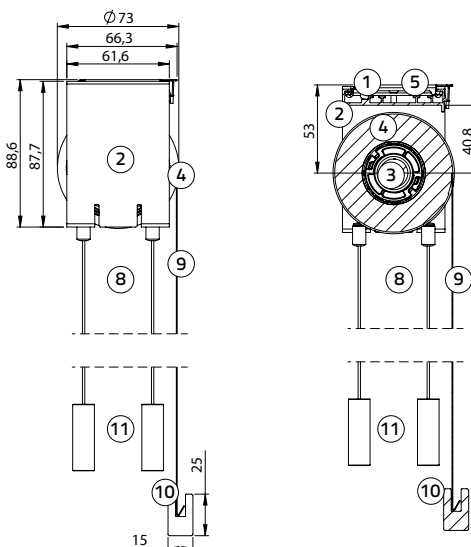
- ① M-bracket
- ② Tube
- ③ Guide disc **M**
- ④ Mechanism double cord (incl. top stopper)
- ⑤ Bottom stopper
- ⑥ Double cord
- ⑦ Material
- ⑧ Bottom rail
- ⑨ Side cable
- ⑩ Tentioner for side cable
- ⑪ Fastening bracket big (side cable)
- ⑫ Fastening bracket small (side cable)
- ⑬ Eyelet for side cable
- ⑭ Tassels

Design Roller Blind M-Bracket

double cord, mounting profile

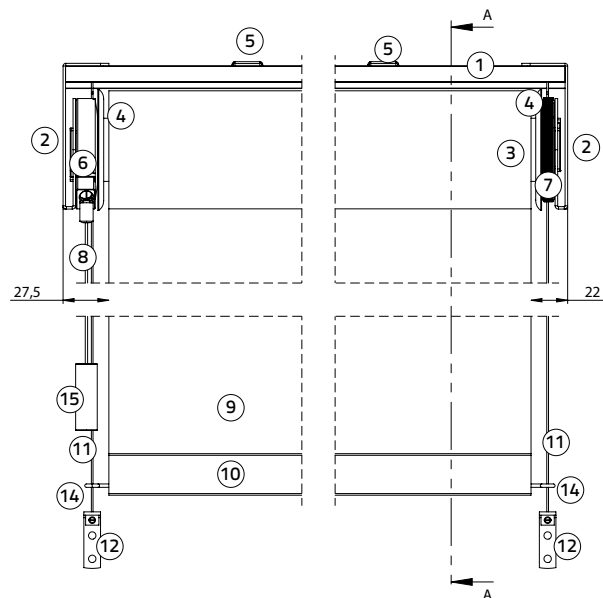


- ① Mounting profile
- ② M-bracket
- ③ Tube
- ④ Guide disc **S**
- ⑤ Bracket for mounting profile
- ⑥ Mechanism double cord (incl. top stopper)
- ⑦ Bottom stopper
- ⑧ Double cord
- ⑨ Material
- ⑩ Bottom rail
- ⑪ Tassels

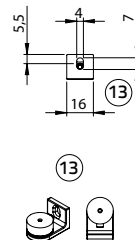
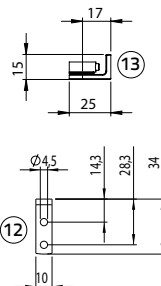
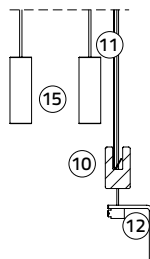
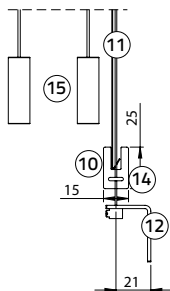
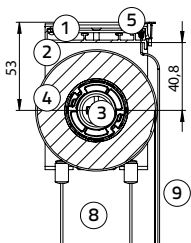
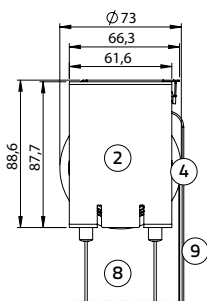
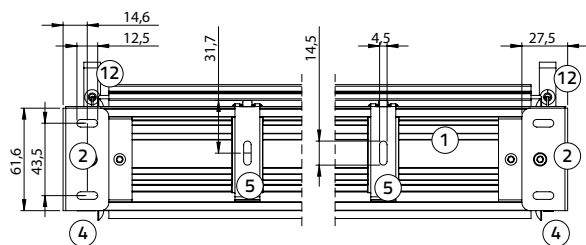


Design Roller Blind M-Bracket

double cord, mounting profile, side cables

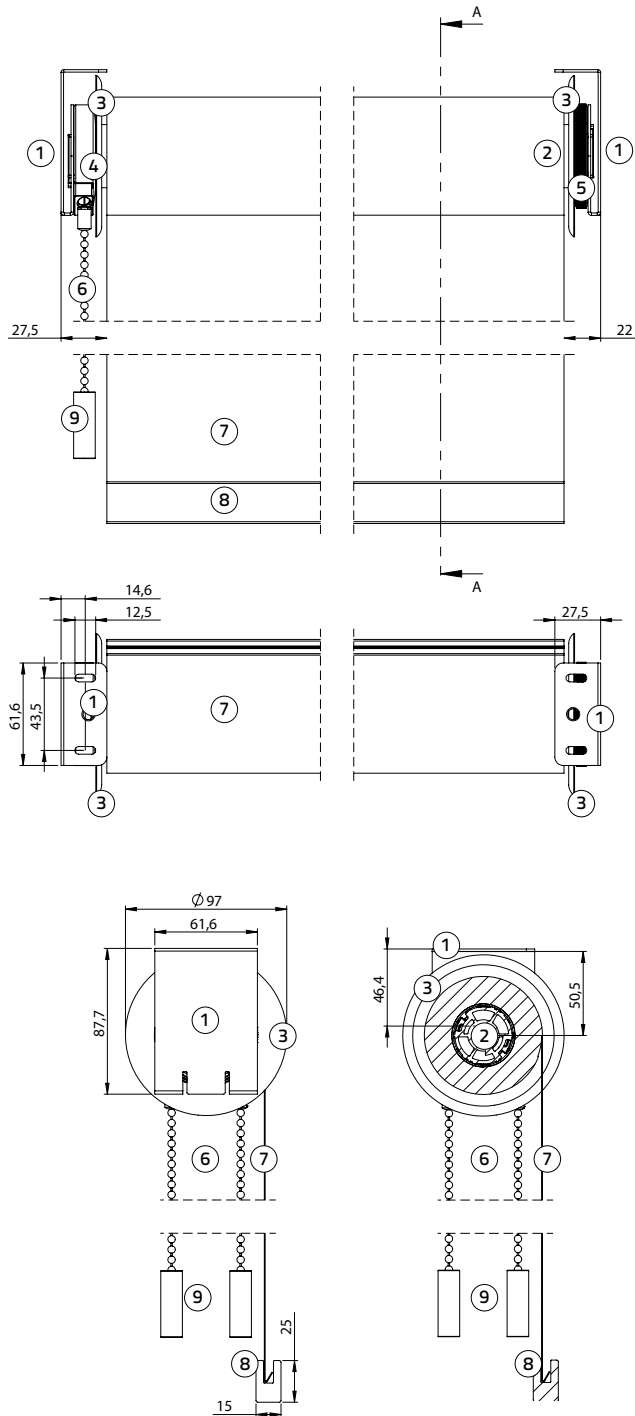


- ① Mounting profile
- ② M-bracket
- ③ Tube
- ④ Guide disc **S**
- ⑤ Bracket for mounting profile
- ⑥ Mechanism double cord (incl. top stopper)
- ⑦ Bottom stopper
- ⑧ Double cord
- ⑨ Material
- ⑩ Bottom rail
- ⑪ Side cable
- ⑫ Fastening bracket big (side cable)
- ⑬ Fastening bracket small (side cable)
- ⑭ Eyelet for side cable
- ⑮ Tassels



Design Roller Blind M-Bracket

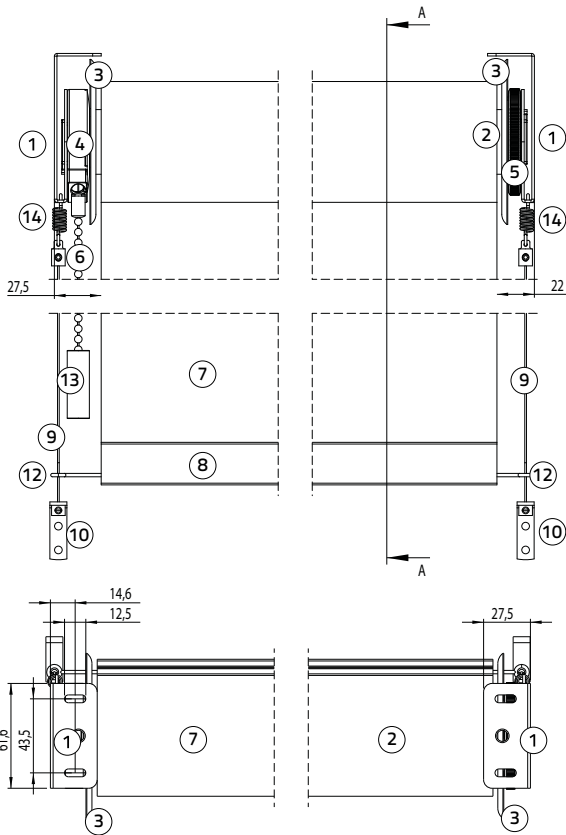
double chain



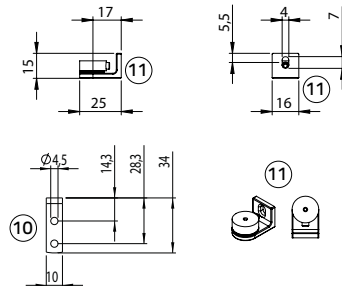
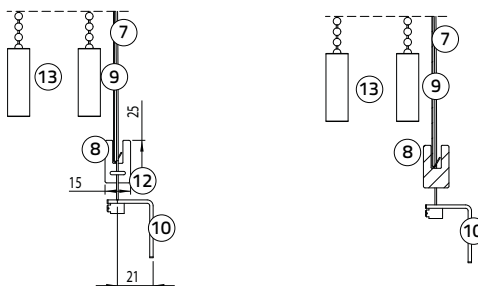
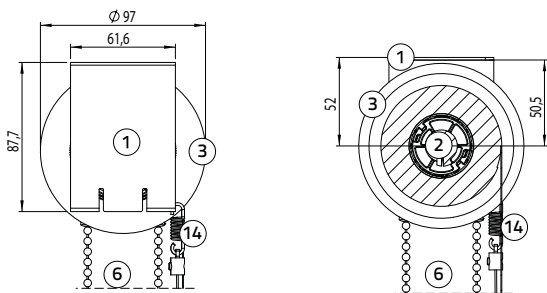
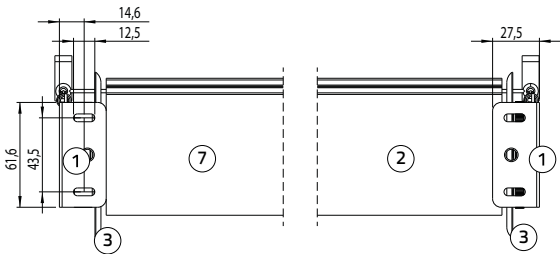
- ① M-bracket
- ② Tube
- ③ Guide disc **M**
- ④ Mechanism double chain (incl. top stopper)
- ⑤ Bottom stopper
- ⑥ Double chain
- ⑦ Material
- ⑧ Bottom rail
- ⑨ Tassels

Design Roller Blind M-Bracket

double chain, side cables

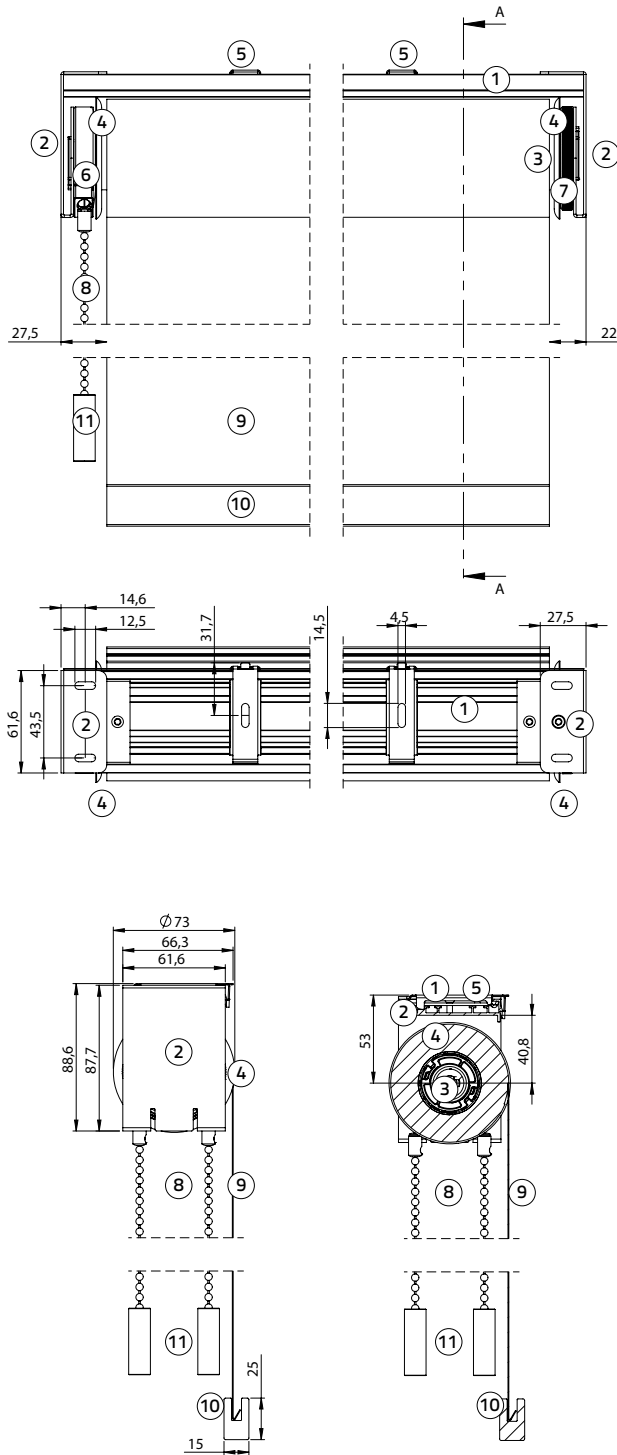


- ① M-bracket
- ② Tube
- ③ Guide disc **M**
- ④ Mechanism double chain (incl. top stopper)
- ⑤ Bottom stopper
- ⑥ Double chain
- ⑦ Material
- ⑧ Bottom rail
- ⑨ Side cable
- ⑩ Fastening bracket big (side cable)
- ⑪ Fastening bracket small (side cable)
- ⑫ Eyelet for side cable
- ⑬ Tassels
- ⑭ Tentioner for side cable



Design Roller Blind M-Bracket

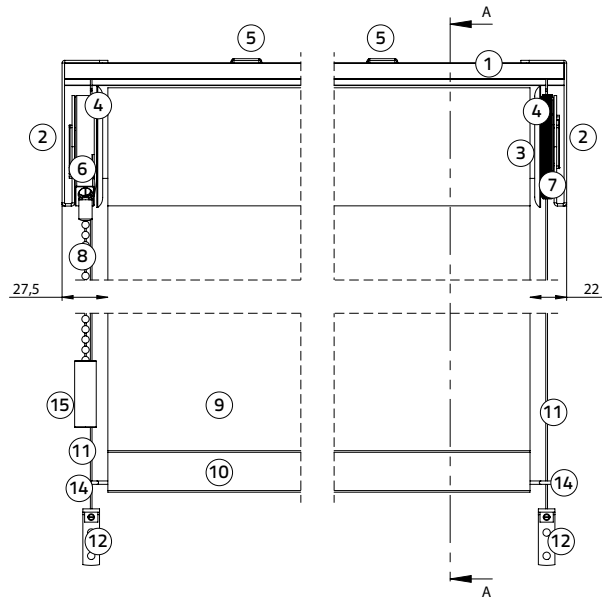
double chain, mounting profile



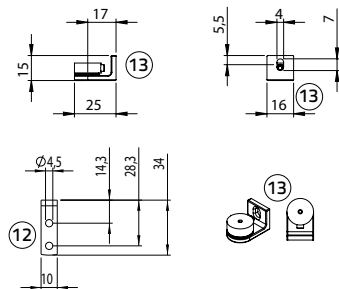
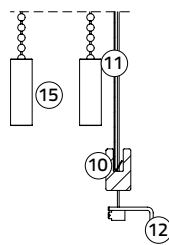
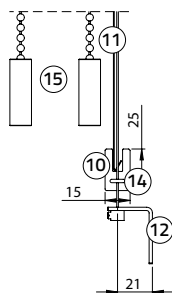
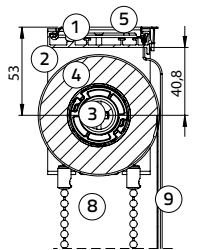
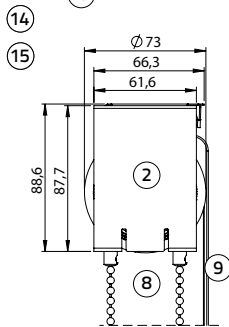
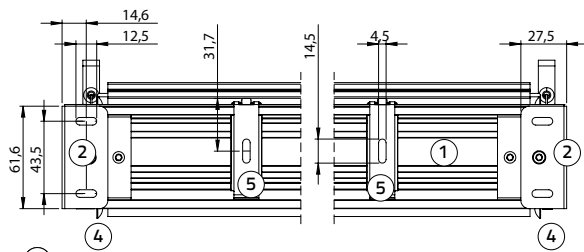
- ① Mounting profile
- ② M-bracket
- ③ Tube
- ④ Guide disc **S**
- ⑤ Bracket for mounting profile
- ⑥ Mechanism double chain (incl. top stopper)
- ⑦ Bottom stopper
- ⑧ Double chain
- ⑨ Material
- ⑩ Bottom rail
- ⑪ Tassels

Design Roller Blind M-Bracket

double chain, mounting profile, side cables

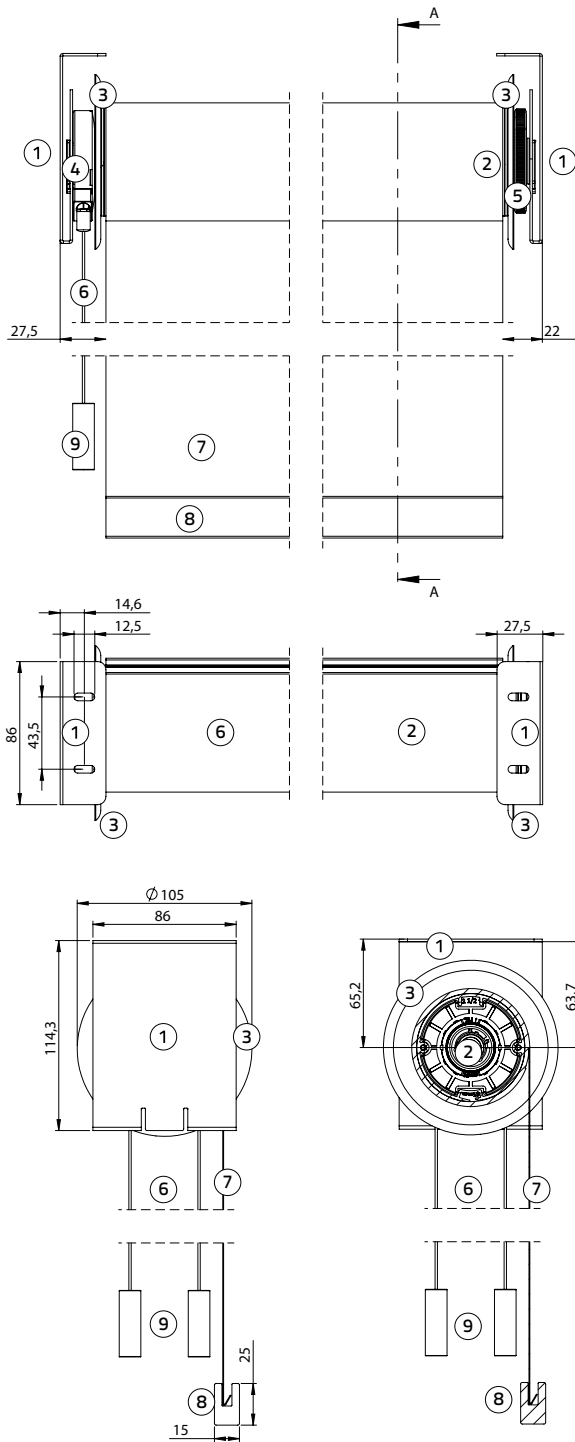


- ① Mounting profile
- ② M-bracket
- ③ Tube
- ④ Guide disc **S**
- ⑤ Bracket for mounting profile
- ⑥ Mechanism double chain (incl. top stopper)
- ⑦ Bottom stopper
- ⑧ Double chain
- ⑨ Material
- ⑩ Bottom rail
- ⑪ Side cable
- ⑫ Fastening bracket big (side cable)
- ⑬ Fastening bracket small (side cable)
- ⑭ Eyelet for side cable
- ⑮ Tassels



Design Roller Blind L-Bracket

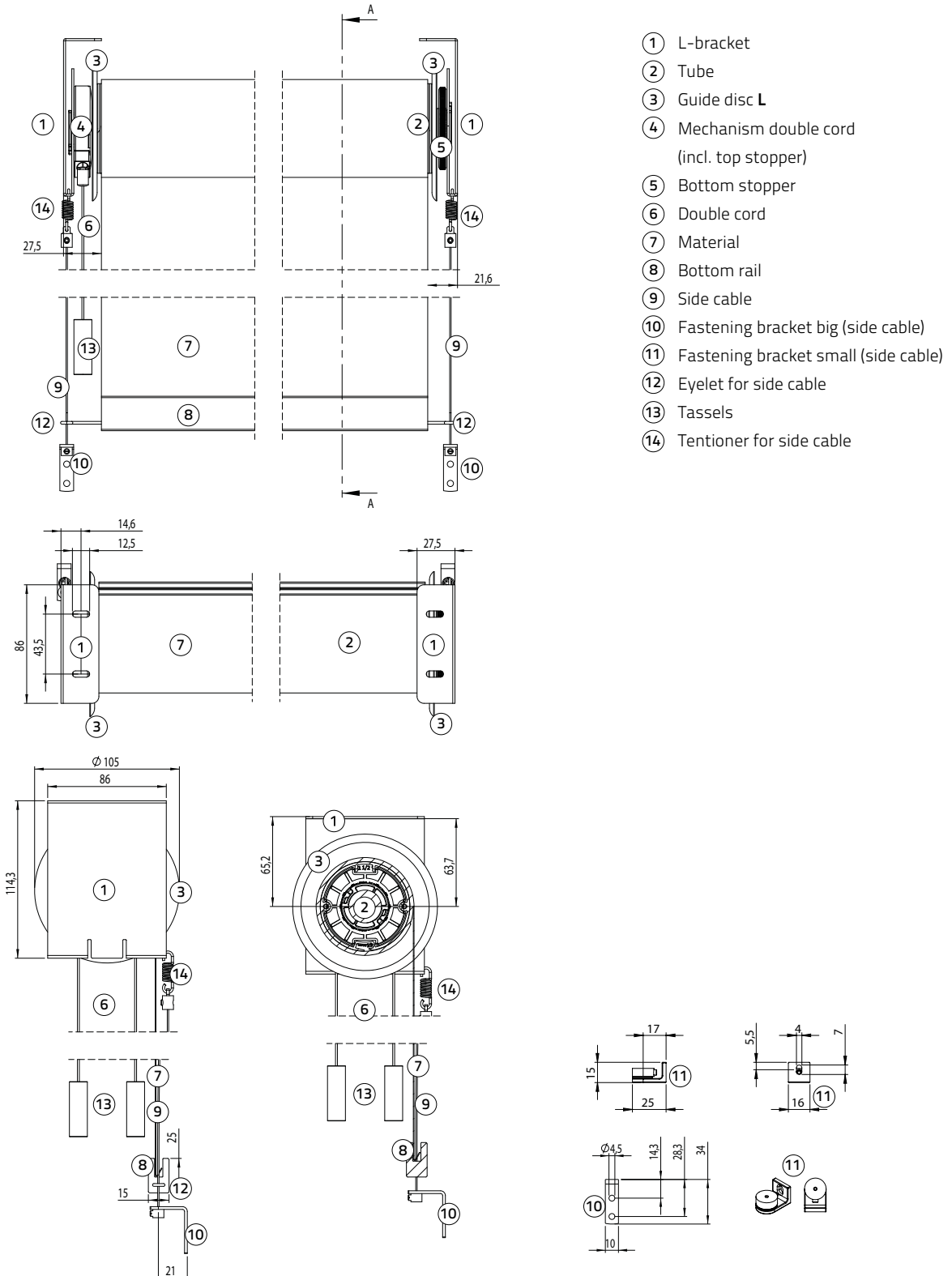
double cord



- ① L-bracket
- ② Tube
- ③ Guide disc L
- ④ Mechanism double cord
(incl. top stopper)
- ⑤ Bottom stopper
- ⑥ Double cord
- ⑦ Material
- ⑧ Bottom rail
- ⑨ Tassels

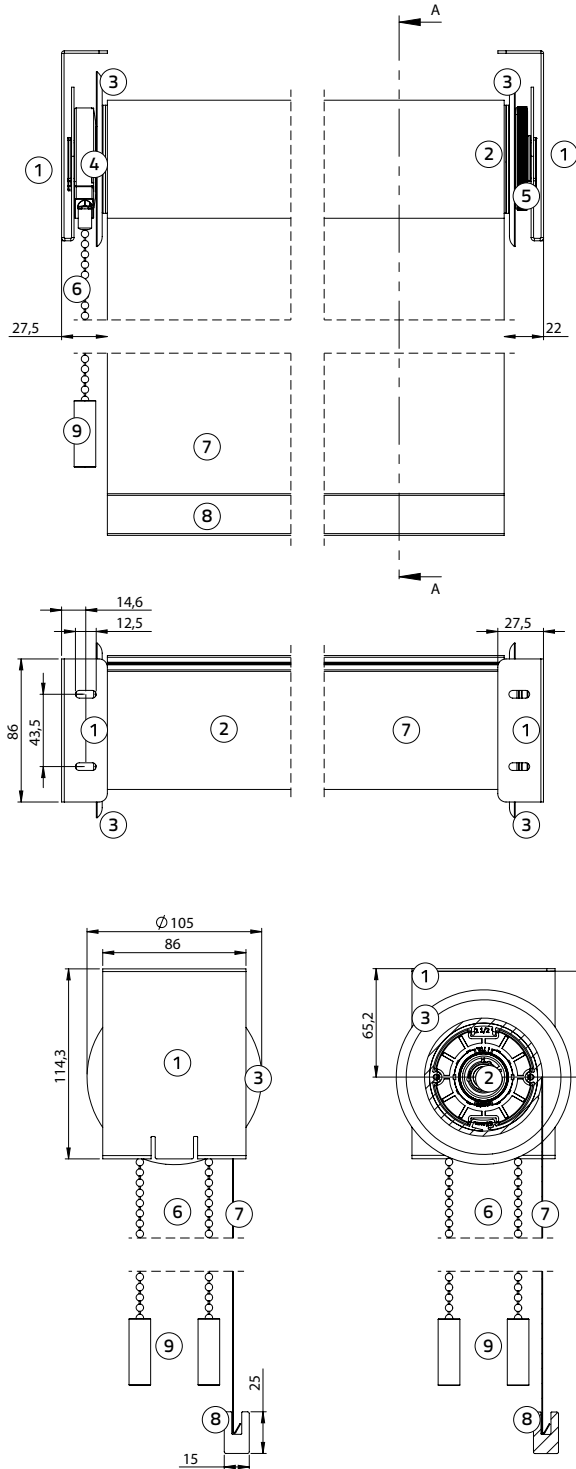
Design Roller Blind L-Bracket

double cord, side cables



Design Roller Blind L-Bracket

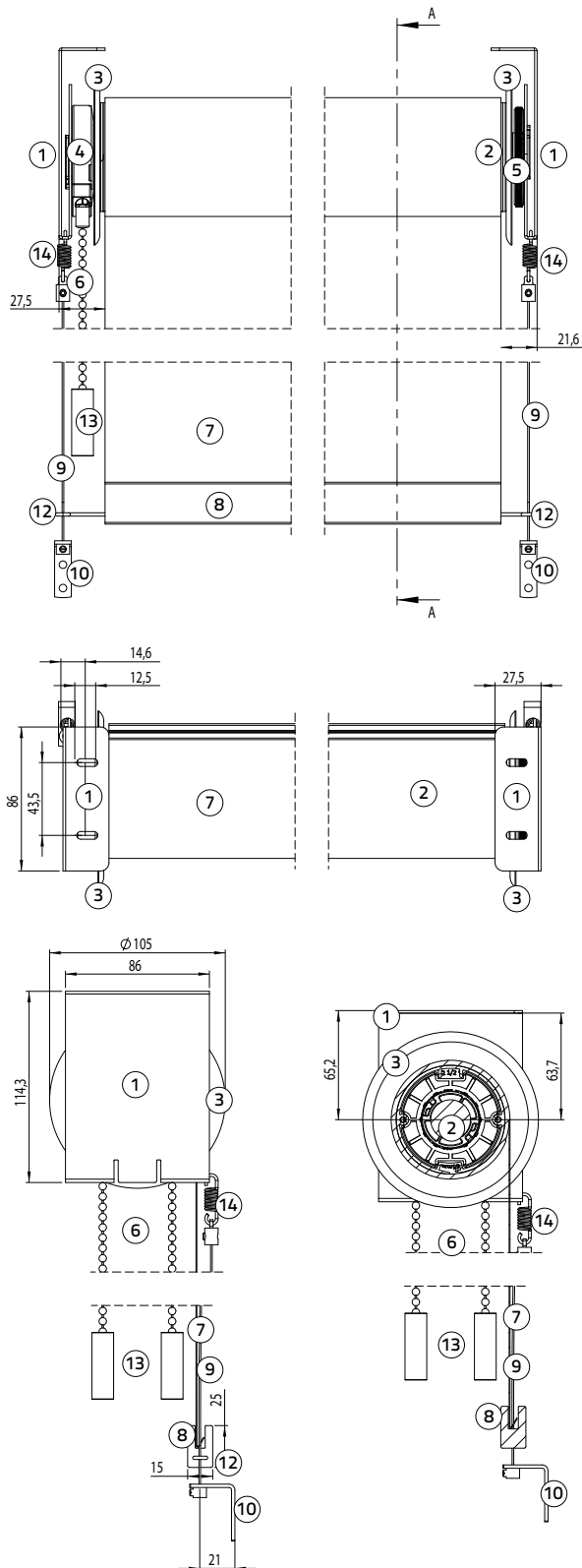
double chain



- ① L-bracket
- ② Tube
- ③ Guide disc L
- ④ Mechanism double chain (incl. top stopper)
- ⑤ Bottom stopper
- ⑥ Double chain
- ⑦ Material
- ⑧ Bottom rail
- ⑨ Tassels

Design Roller Blind L-Bracket

double chain, side cables

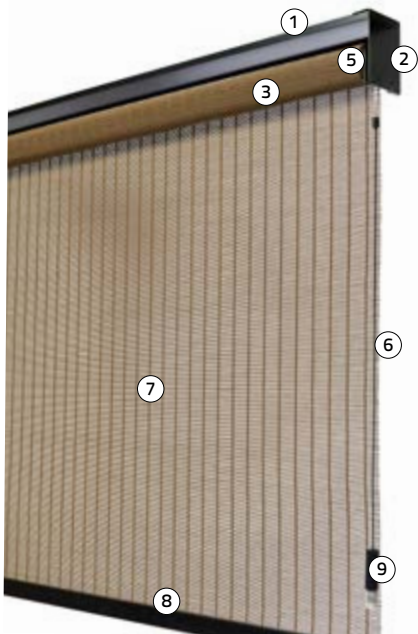


- ① L-bracket
- ② Tube
- ③ Guide disc L
- ④ Mechanism double chain (incl. top stopper)
- ⑤ Bottom stopper
- ⑥ Double chain
- ⑦ Material
- ⑧ Bottom rail
- ⑨ Side cable
- ⑩ Fastening bracket big (side cable)
- ⑪ Fastening bracket small (side cable)
- ⑫ Eyelet for side cable
- ⑬ Tassels
- ⑭ Tentioner for side cable

ND
SUBLIME
collection

Design Roller Blind M/L-Bracket

Motion Battery



- ① Mounting profile
- ② M-bracket
- ③ Tube
- ④ Guide disc
- ⑤ Battery motor
- ⑥ Motor cord
- ⑦ Material
- ⑧ Bottom rail
- ⑨ Tassel with QR-code



Price list

Page 12 - 17

Collection book

Woven Bamboo Thin Sticks (S140-S183)
Woven Bamboo Flat Sticks (S184-S224)
Natural Fabrics (S225-S248, S257-S259)

Description

Aluminium tube in black, white or custom color; design brackets with an industrial steel look in black, white or custom color; operating with rechargeable battery; USB-C port for charging; wooden bottom rail in the color of the material or similar; colors of the material and combinations see collection books and design overviews; colors of the motor cord see sample card PULLING CORDS 5; colors of the metal motor chain see sample card CHAINS & TASSELS; mounting profile for easy installation in color white and black (for M-brackets only, surcharge), custom color possible with additional surcharge; tassel pvc with QR-code see sample card CHAINS & TASSELS; manual battery motor see the MotionBlinds brochure.

Material

Woven bamboo or natural fabrics see collection books and design overviews:
Woven Bamboo Thin Sticks, Woven Bamboo Flat Sticks, Natural Fabrics

Operating

With Battery motor:

Coulisse CM-06:

motor cord/chain, remote control or app,

Smarthome capable with Bluetooth

Coulisse CM-06-E-R (EVE):

motor cord/chain, remote control or app,

Smarthome capable with Thread and Matter

(available from July 2024)

no need of child safety tassel

Additions (surcharge see price list)

- Custom colors for woven bamboo, brackets, tube and bottom rail
- Mounting profile in white and black
- Custom colors of mounting profile additional surcharge
- Side cables in silver, white and black, for on de wall and on the ceiling
- Remote controls

Mounting

Universal-brackets for wall and ceiling

Wooden bottom rail: width 15 mm, height 25 mm

M-bracket

Ceiling mounting:

M-bracket (incl. **guide disc M** and bottom rail):

width 97 mm, height 127,5 mm

Wall mounting:

M-bracket (incl. **guide disc M** and bottom rail):

width 102,5 mm, height 122 mm

Ceiling mounting with mounting profile:

M-bracket (incl. **guide disc S** and bottom rail):

width 73 mm, height 118,8 mm

Wall mounting with mounting profile:

M-bracket (incl. **guide disc S** and bottom rail):

width 93,8 mm, height 98 mm

L-bracket

Ceiling mounting:

L-bracket (incl. **guide disc L** and bottom rail):

width 105 mm, height 153,9 mm

Wall mounting:

L-bracket (incl. **guide disc L** and bottom rail):

width 128,9 mm, height 130 mm

For L-brackets mounting profile not possible

Product dimensions

Min. width Coulisse CM-06 80 cm

Min. width Coulisse CM-06-E-R 85 cm

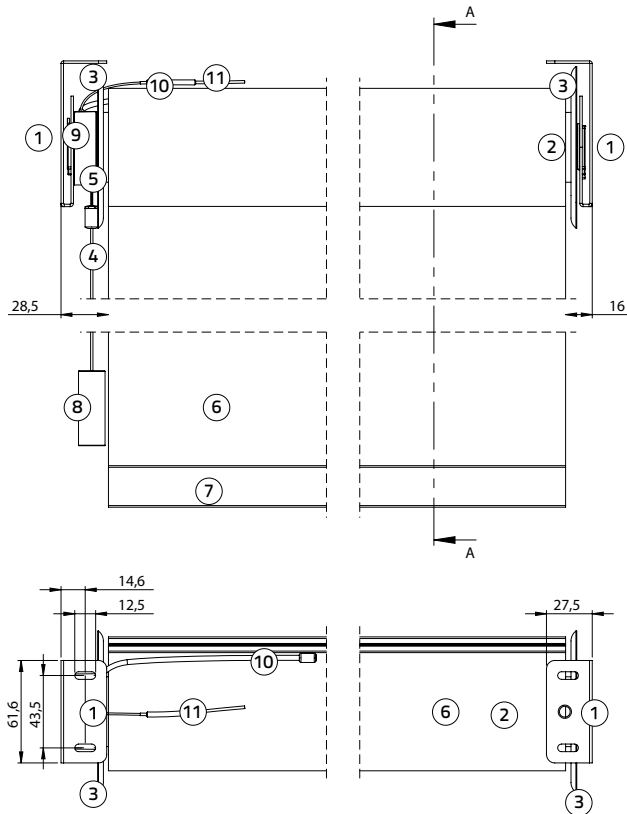
Max. width: 240 cm

Min. height 80 cm

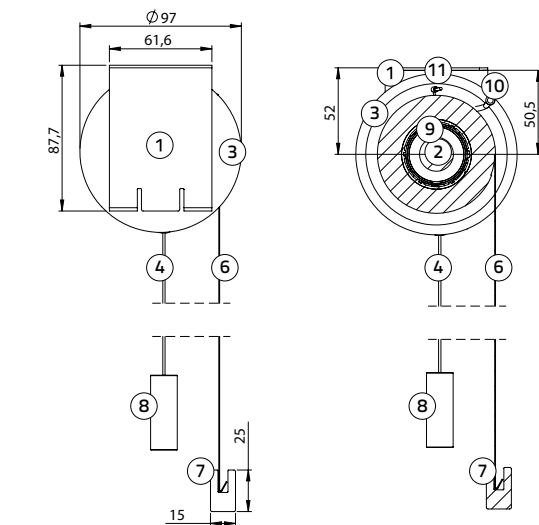
Max. height and m² see price list

Design Roller Blind M-Bracket

Motion Battery, motor cord

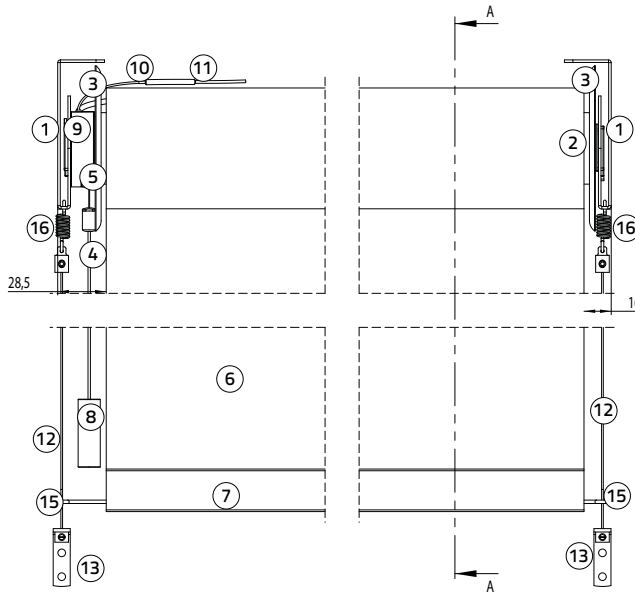


- ① M-bracket
- ② Tube
- ③ Guide disc **M**
- ④ Motor cord
- ⑤ USB-C port with LED
- ⑥ Material
- ⑦ Bottom rail
- ⑧ Tassel with QR-code
- ⑨ Battery motor
- ⑩ Radio antenna
- ⑪ Bluetooth antenna

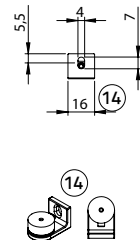
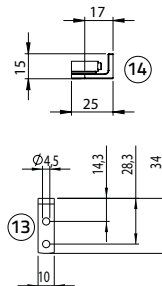
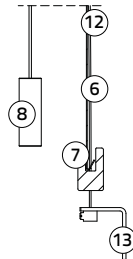
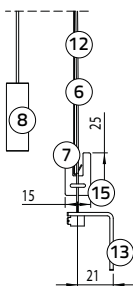
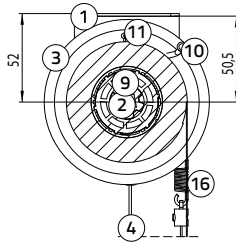
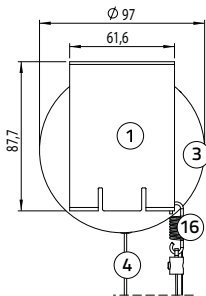
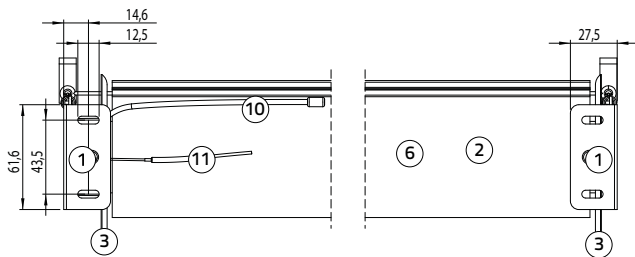


Design Roller Blind M-Bracket

Motion Battery, motor cord, side cables

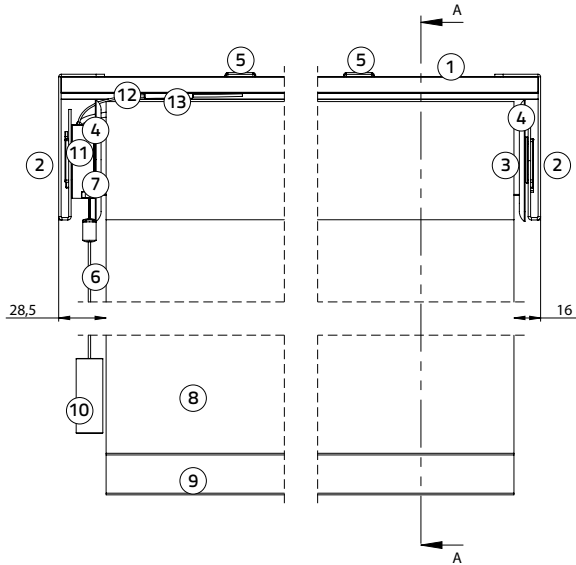


- ① M-bracket
- ② Tube
- ③ Guide disc **M**
- ④ Motor cord
- ⑤ USB-C port with LED
- ⑥ Material
- ⑦ Bottom rail
- ⑧ Tassel with QR-code
- ⑨ Battery motor
- ⑩ Radio antenna
- ⑪ Bluetooth antenna
- ⑫ Side cable
- ⑬ Fastening bracket big (side cable)
- ⑭ Fastening bracket small (side cable)
- ⑮ Eyelet for side cable
- ⑯ Tentonier for side cable

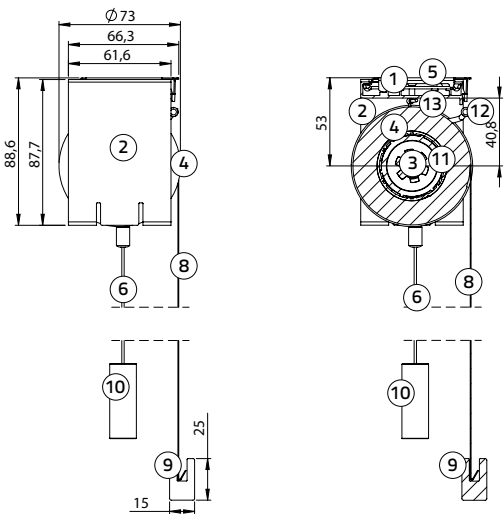
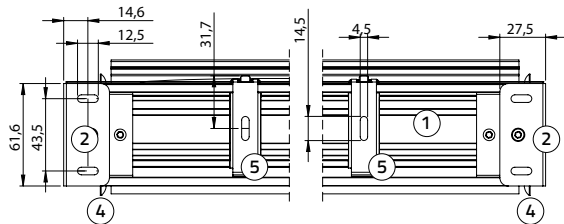


Design Roller Blind M-Bracket

Motion Battery, motor cord, mounting profile

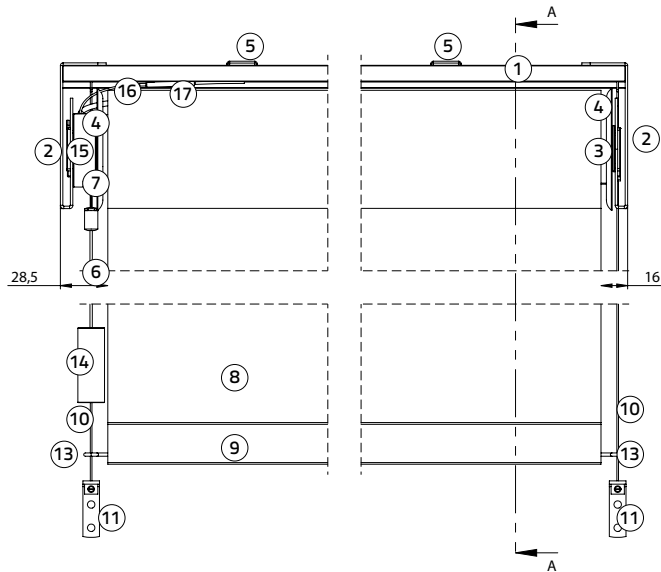


- ① Mounting profile
- ② M-bracket
- ③ Tube
- ④ Guide disc **S**
- ⑤ Bracket mounting profile
- ⑥ Motor cord
- ⑦ USB-C port with LED
- ⑧ Material
- ⑨ Bottom rail
- ⑩ Tassel with QR-code
- ⑪ Battery motor
- ⑫ Radio antenna
- ⑬ Bluetooth antenna

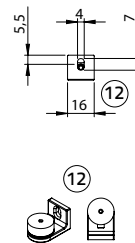
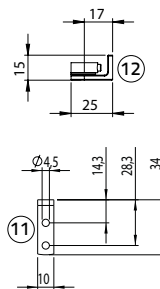
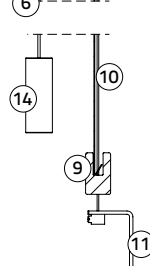
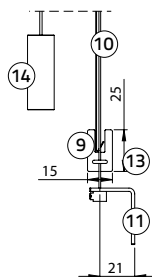
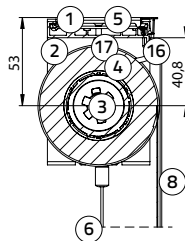
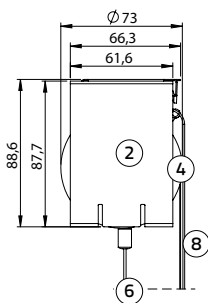
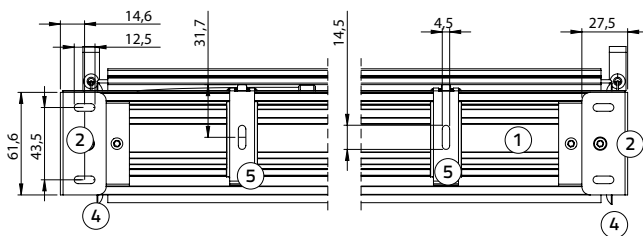


Design Roller Blind M-Bracket

Motion Battery, motor cord, mounting profile, side cables

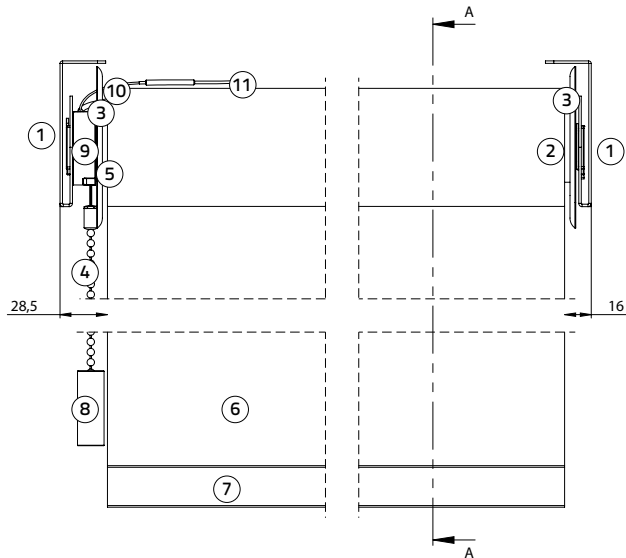


- ① Mounting profile
- ② M-bracket
- ③ Tube
- ④ Guide disc **S**
- ⑤ Bracket mounting profile
- ⑥ Motor cord
- ⑦ USB-C port with LED
- ⑧ Material
- ⑨ Bottom rail
- ⑩ Side cable
- ⑪ Fastening bracket big (side cable)
- ⑫ Fastening bracket small (side cable)
- ⑬ Eyelet for side cable
- ⑭ Tassel with QR-code
- ⑮ Battery motor
- ⑯ Radio antenna
- ⑰ Bluetooth antenna

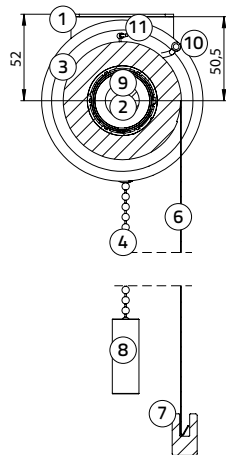
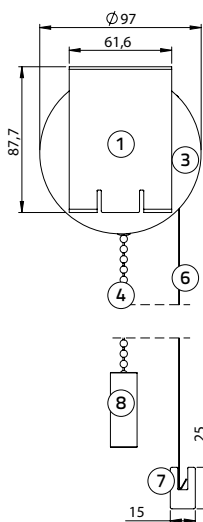
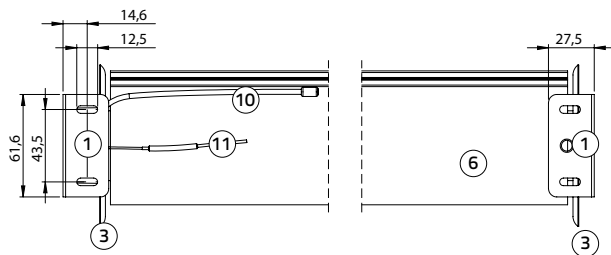


Design Roller Blind M-Bracket

Motion Battery, motor chain

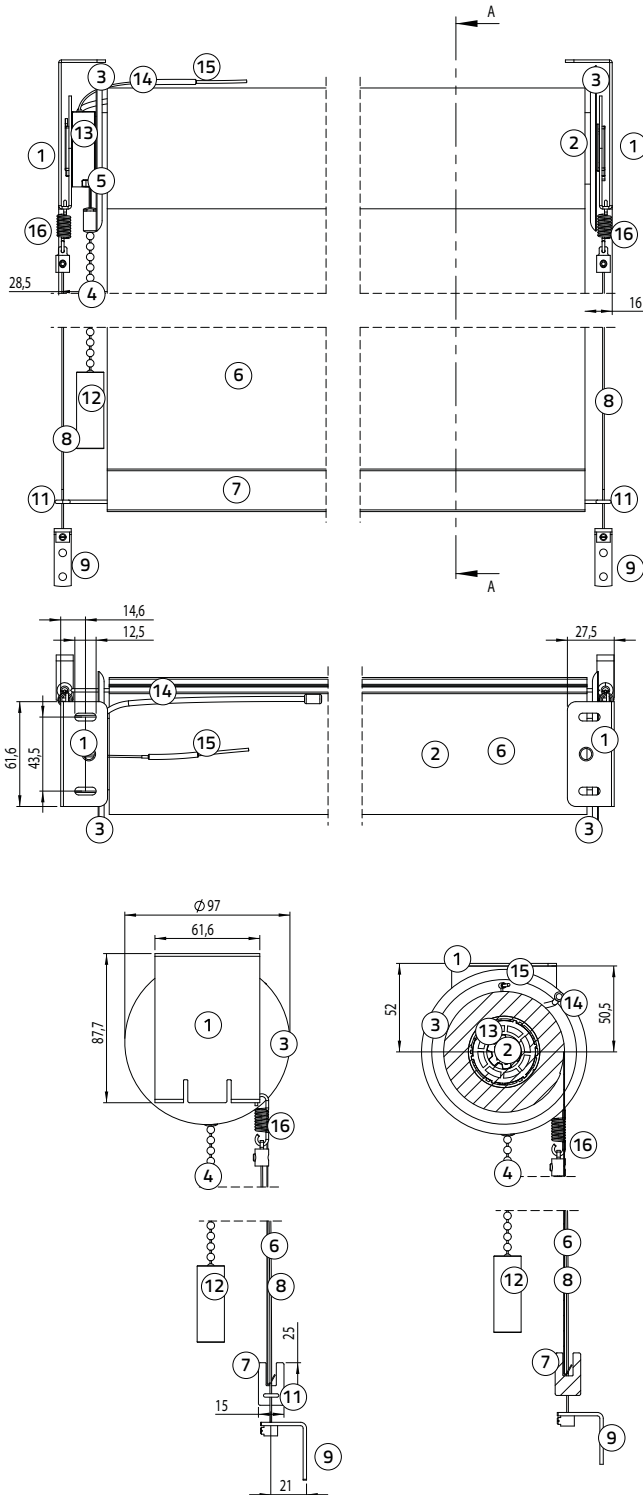


- ① M-bracket
- ② Tube
- ③ Guide disc **M**
- ④ Motor chain
- ⑤ USB-C port with LED
- ⑥ Material
- ⑦ Bottom rail
- ⑧ Tassel with QR-code
- ⑨ Battery motor
- ⑩ Radio antenna
- ⑪ Bluetooth antenna



Design Roller Blind M-Bracket

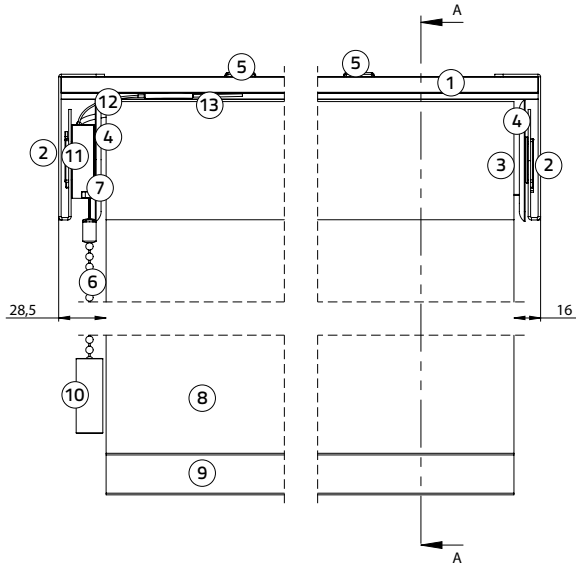
Motion Battery, motor chain, side cables



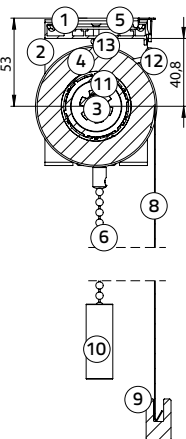
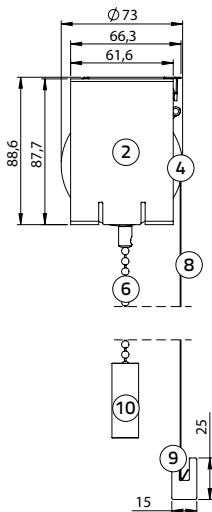
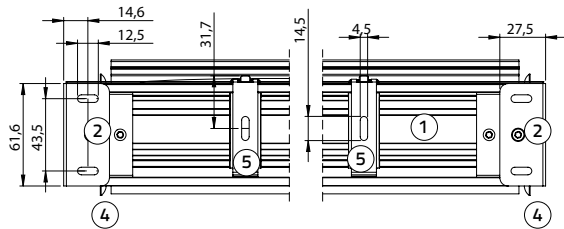
- ① M-bracket
- ② Tube
- ③ Guide disc **M**
- ④ Motor chain
- ⑤ USB-C port with LED
- ⑥ Material
- ⑦ Bottom rail
- ⑧ Side cable
- ⑨ Fastening bracket big (side cable)
- ⑩ Fastening bracket small (side cable)
- ⑪ Eyelet for side cable
- ⑫ Tassel with QR-code
- ⑬ Battery motor
- ⑭ Radio antenna
- ⑮ Bluetooth antenna
- ⑯ Tentonier for side cable

Design Roller Blind M-Bracket

Motion Battery, motor chain, mounting profile

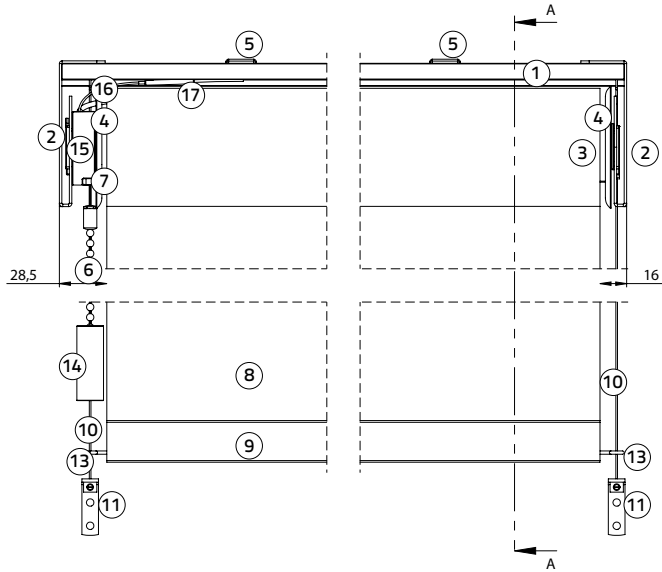


- ① Mounting profile
- ② M-bracket
- ③ Tube
- ④ Guide disc **S**
- ⑤ Bracket for mounting profile
- ⑥ Motor chain
- ⑦ USB-C port with LED
- ⑧ Material
- ⑨ Bottom rail
- ⑩ Tassel with QR-code
- ⑪ Battery motor
- ⑫ Radio antenna
- ⑬ Bluetooth antenna

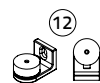
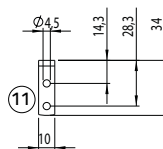
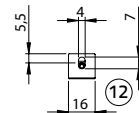
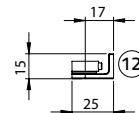
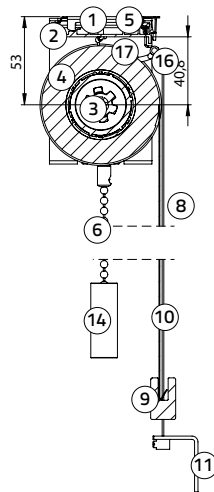
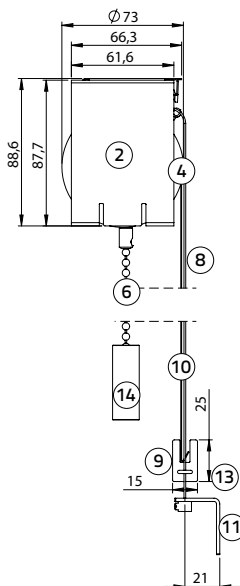
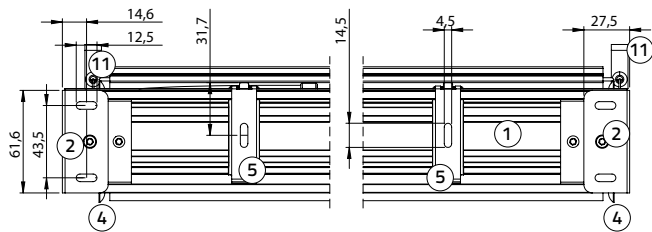


Design Roller Blind M-Bracket

Motion Battery, motor chain, mounting profile, side cables

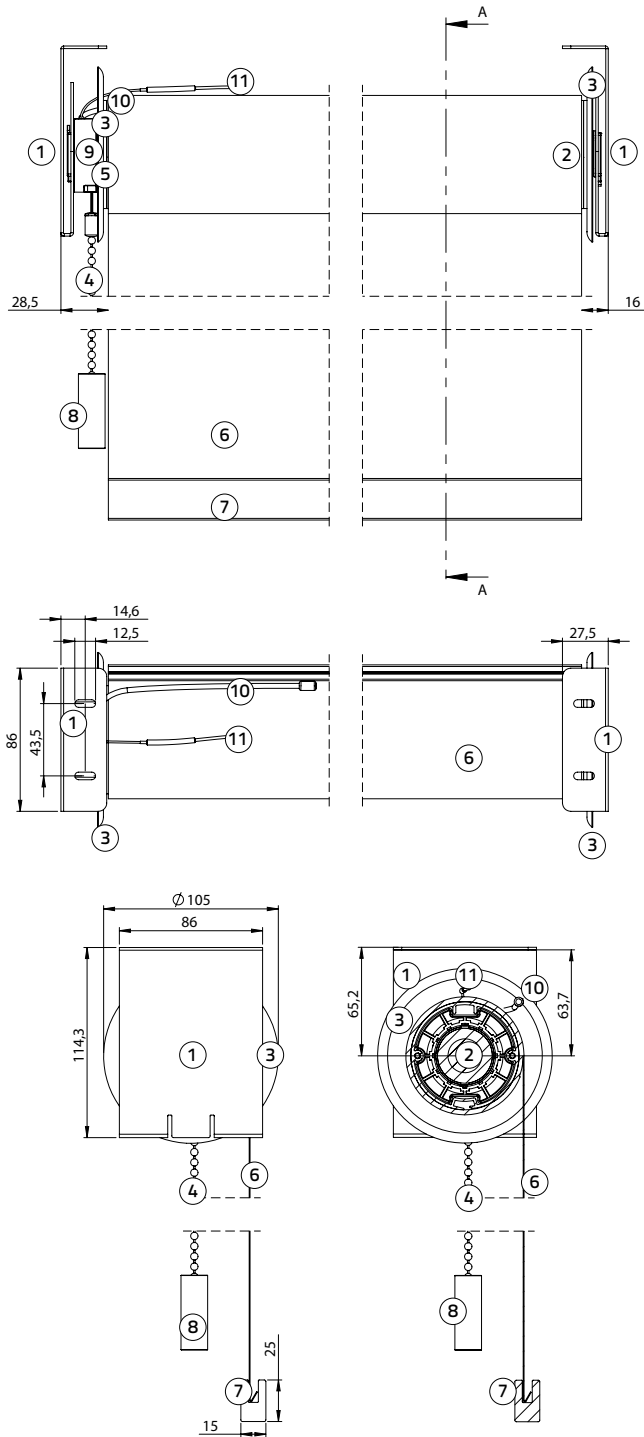


- ① Mounting profile
- ② M-bracket
- ③ Tube
- ④ Guide disc **S**
- ⑤ Bracket for mounting profile
- ⑥ Motor chain
- ⑦ USB-C port with LED
- ⑧ Material
- ⑨ Bottom rail
- ⑩ Side cable
- ⑪ Fastening bracket big (side cable)
- ⑫ Fastening bracket small (side cable)
- ⑬ Eyelet for side cable
- ⑭ Tassel with QR-code
- ⑮ Battery motor
- ⑯ Radio antenna
- ⑰ Bluetooth antenna



Design Roller Blind L-Bracket

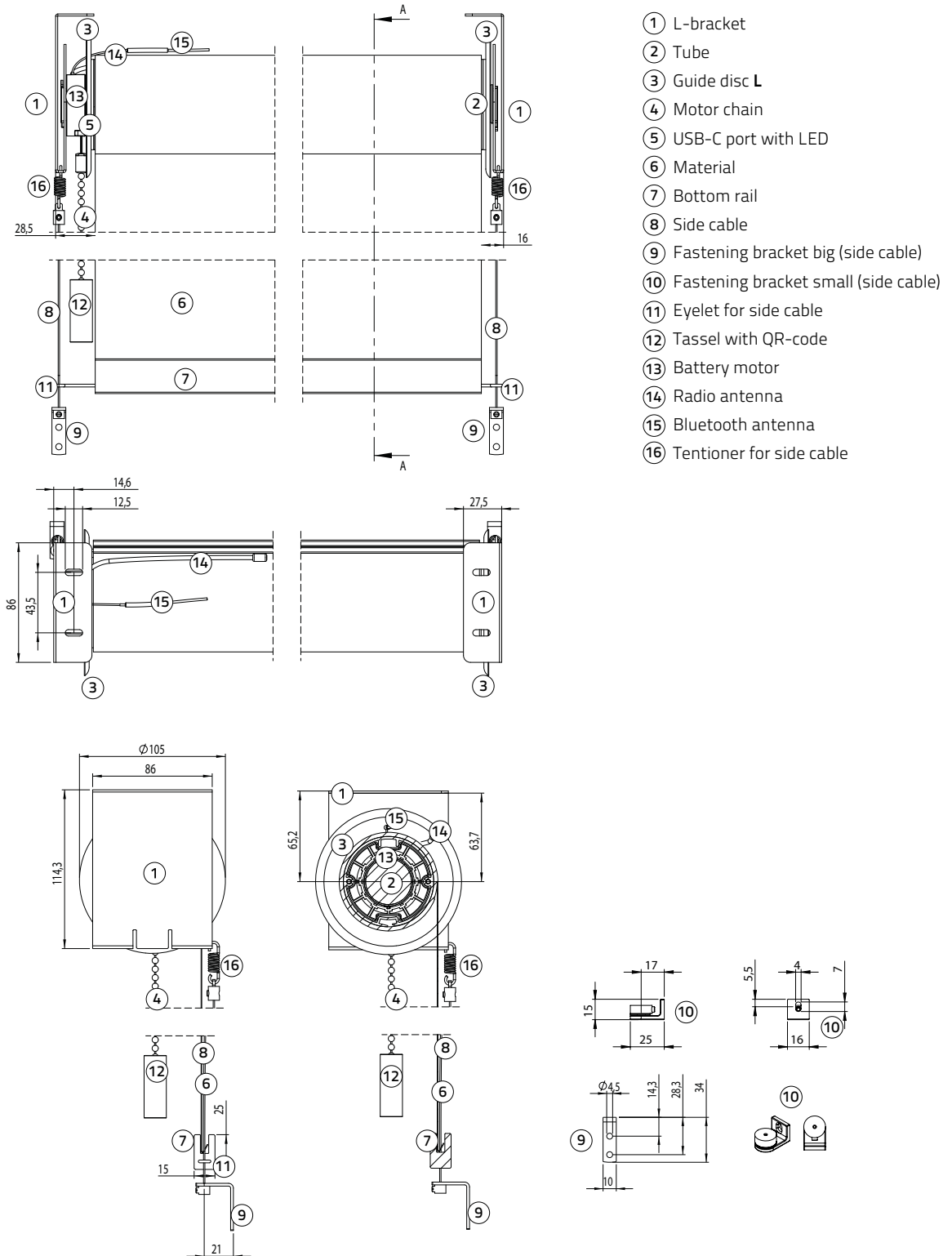
Motion Battery, motor chain



- ① L-bracket
- ② Tube
- ③ Guide disc L
- ④ Motor chain
- ⑤ USB-C port with LED
- ⑥ Material
- ⑦ Bottom rail
- ⑧ Tassel with QR-code
- ⑨ Battery motor
- ⑩ Radio antenna
- ⑪ Bluetooth antenna

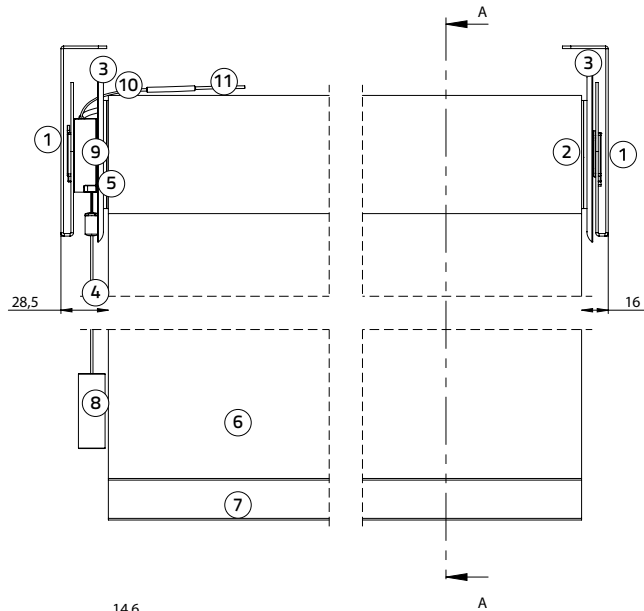
Design Roller Blind L-Bracket

Motion Battery, motor chain, side cables

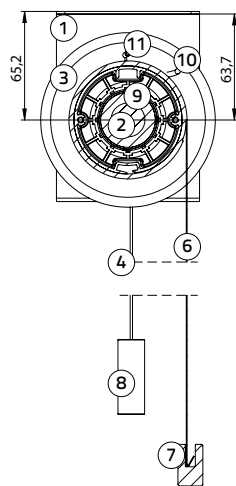
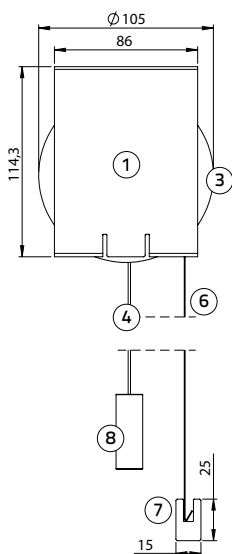
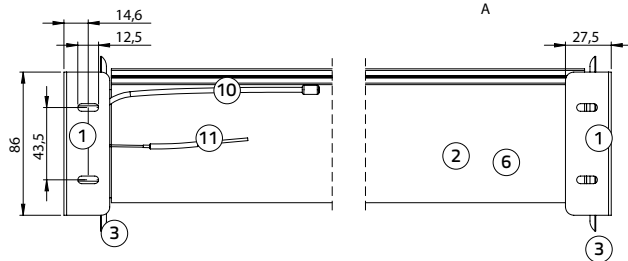


Design Roller Blind L-Bracket

Motion Battery, motor cord

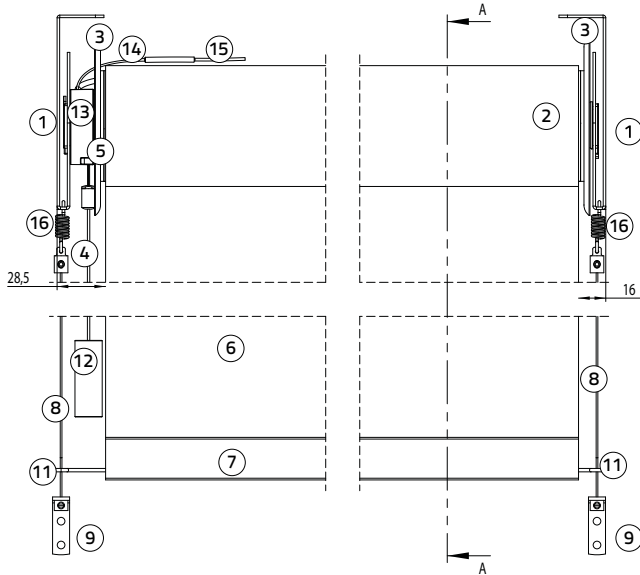


- ① L-bracket
- ② Tube
- ③ Guide disc L
- ④ Motor cord
- ⑤ USB-C port with LED
- ⑥ Material
- ⑦ Bottom rail
- ⑧ Tassel with QR-code
- ⑨ Battery motor
- ⑩ Radio antenna
- ⑪ Bluetooth antenna

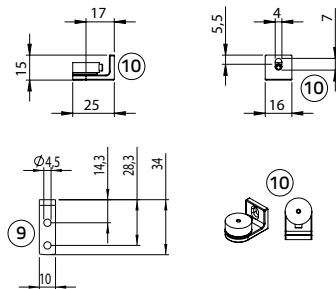
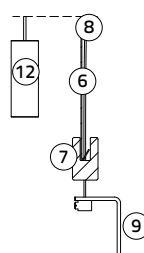
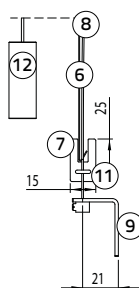
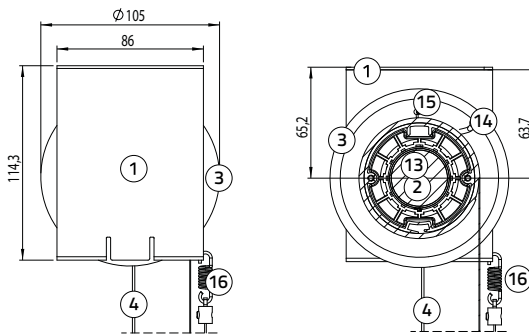
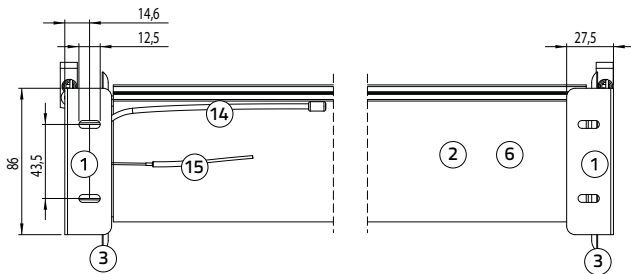


Design Roller Blind L-Bracket

Motion Battery, motor cord, side cables



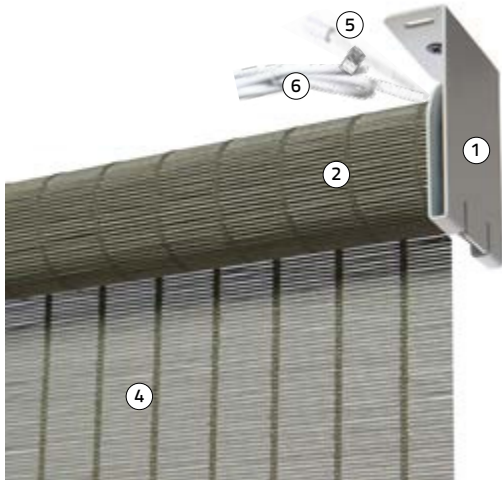
- ① L-bracket
- ② Tube
- ③ Guide disc L
- ④ Motor cord
- ⑤ USB-C port with LED
- ⑥ Material
- ⑦ Bottom rail
- ⑧ Side cable
- ⑨ Fastening bracket big (side cable)
- ⑩ Fastening bracket small (side cable)
- ⑪ Eyelet for side cable
- ⑫ Tassel with QR-code
- ⑬ Battery motor
- ⑭ Radio antenna
- ⑮ Bluetooth antenna
- ⑯ Tentonier for side cable



ND
SUBLIME
collection

Design Roller Blind M/L-Bracket

Motion 230V



- ① M-bracket
- ② Tube
- ③ Guide disc
- ④ Material
- ⑤ Radio antenna with QR-code
- ⑥ Power cable



Price list

Page 20 - 25

Collection book

Woven Bamboo Thin Sticks (S140-S183)
Woven Bamboo Flat Sticks (S184-S224)
Natural Fabrics (S225-S248, S257-S259)

Description

Aluminium tube in black, white or custom color; design brackets with an industrial steel look in black, white or custom color; operating with 230 V motor (mechanical or radio) see the MotionBlinds brochure; wooden bottom rail in the color of the material or similar; colors of the material and combinations see collection books and design overviews; mounting profile for easy installation in color white and black (for M-brackets only, surcharge), custom color possible with additional surcharge.

Material

Woven bamboo or natural fabrics
see collection books and design overviews:
Woven Bamboo Thin Sticks, Woven Bamboo Flat Sticks, Natural Fabrics

Operating

Somfy Sonesse 40 RTS & Coulisserie CM-09-QC:
with remote control or app, **Smarthome capable with Bluetooth**

Somfy Sonesse 40 WT & Coulisserie CM-09-QMC:
for switch, **Bus-system capable**
no need of child safety tassel

Additions (surcharge see price list)

- Custom colors for woven bamboo, brackets, tube and bottom rail
- Mounting profile in white and black
- Custom colors mounting profile additional surcharge
- Side cables in silver, white and black, for on de wall and on the ceiling
- remote controls

Mounting

Universal-brackets for wall and ceiling

Wooden bottom rail: width 15 mm, height 25 mm

M-bracket

Ceiling mounting:
M-bracket (incl. **guide disc M** and bottom rail):
width 97 mm, height 127,5 mm
Wall mounting:
M-bracket (incl. **guide disc M** and bottom rail):
width 102,5 mm, height 122 mm
Ceiling mounting with mounting profile:
M-bracket (incl. **guide disc S** and bottom rail):
width 73 mm, height 118,8 mm
Wall mounting with mounting profile:
M-bracket (incl. **guide disc S** and bottom rail):
width 93,8 mm, height 98 mm

L-bracket

Ceiling mounting:
L-bracket (incl. **guide disc L** and bottom rail):
width 105 mm, height 153,9 mm
Wall mounting:
L-bracket (incl. **guide disc L** and bottom rail):
width 128,9 mm, height 130 mm

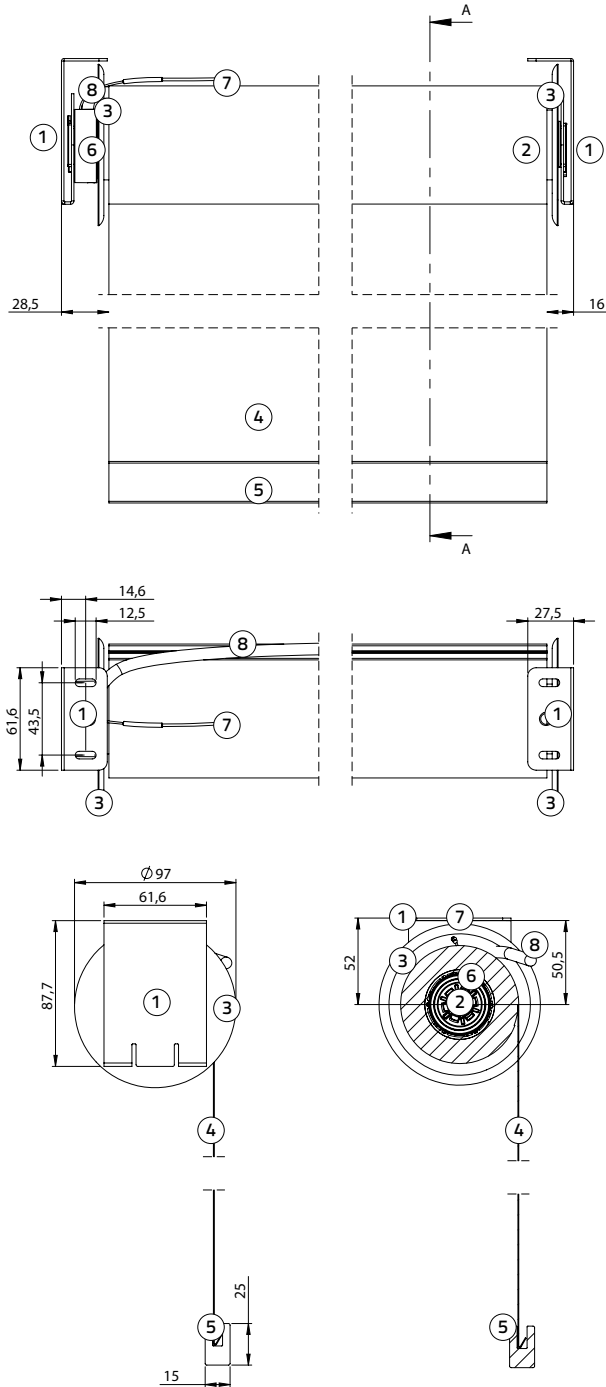
For L-brackets mounting profile not possible

Product dimensions

Min. width Coulisserie CM-09-QC	80 cm
Min. width Coulisserie CM-09-QMC	85 cm
Min. width Somfy Sonesse 40RTS	70 cm
Min. width Somfy Sonesse 40WT	65 cm
Min. height	80 cm
Max. height	see price list
Max. m ²	see price list

Design Roller Blind M-Bracket

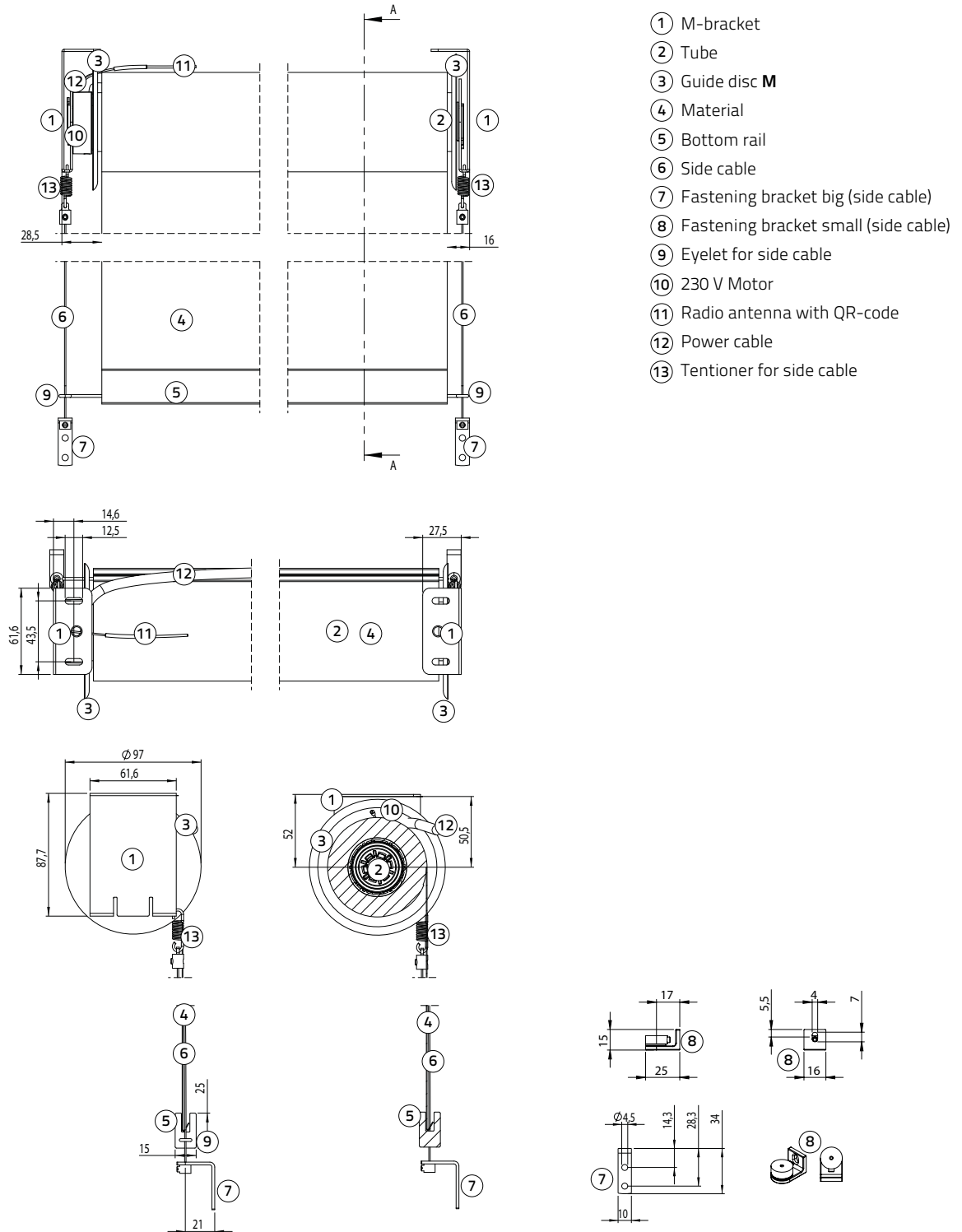
Motion 230V



- ① M-bracket
- ② Tube
- ③ Guide disc **M**
- ④ Material
- ⑤ Bottom rail
- ⑥ 230 V Motor
- ⑦ Radio antenna with QR-code
- ⑧ Power cable

Design Roller Blind M-Bracket

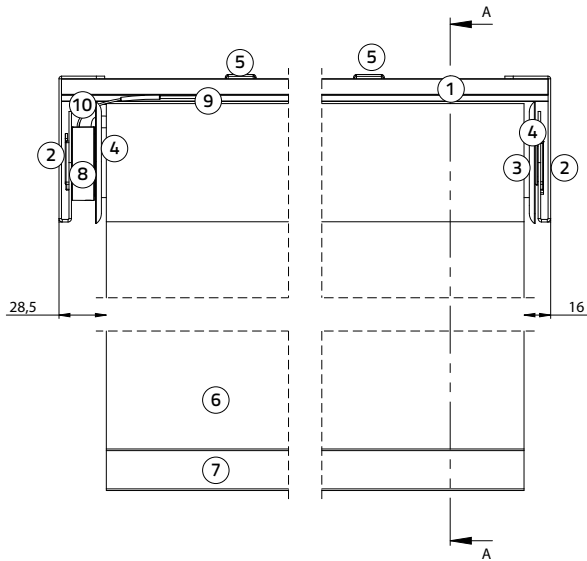
Motion 230V, side cables



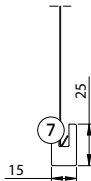
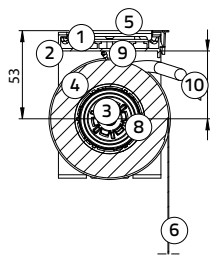
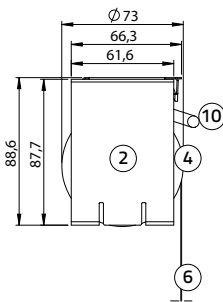
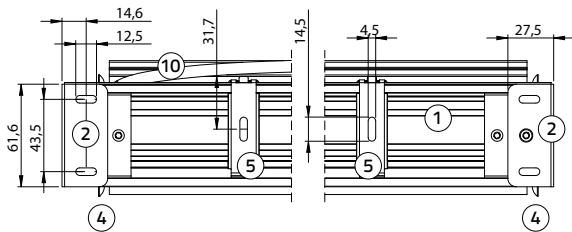
- ① M-bracket
- ② Tube
- ③ Guide disc **M**
- ④ Material
- ⑤ Bottom rail
- ⑥ Side cable
- ⑦ Fastening bracket big (side cable)
- ⑧ Fastening bracket small (side cable)
- ⑨ Eyelet for side cable
- ⑩ 230 V Motor
- ⑪ Radio antenna with QR-code
- ⑫ Power cable
- ⑬ Tentioner for side cable

Design Roller Blind M-Bracket

Motion 230V, mounting profile

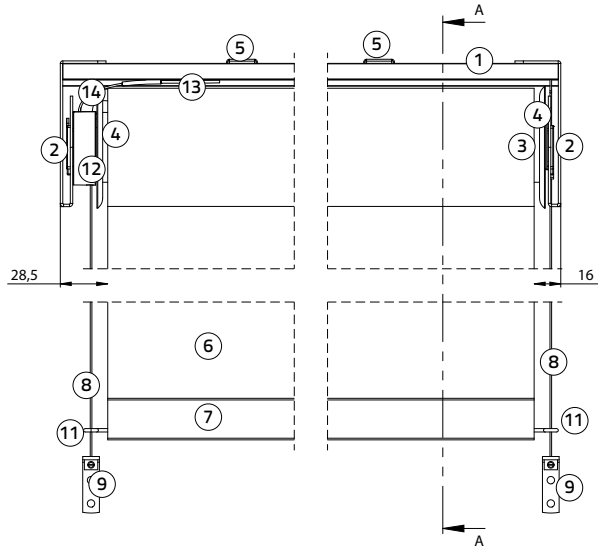


- ① Mounting profile
- ② M-bracket
- ③ Tube
- ④ Guide disc S
- ⑤ Bracket for mounting profile
- ⑥ Material
- ⑦ Bottom rail
- ⑧ 230 V Motor
- ⑨ Radio antenna with QR-code
- ⑩ Power cable

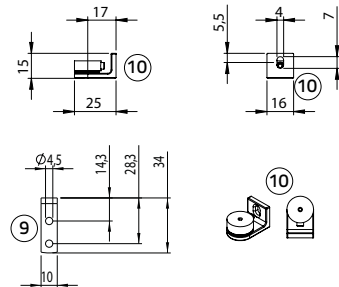
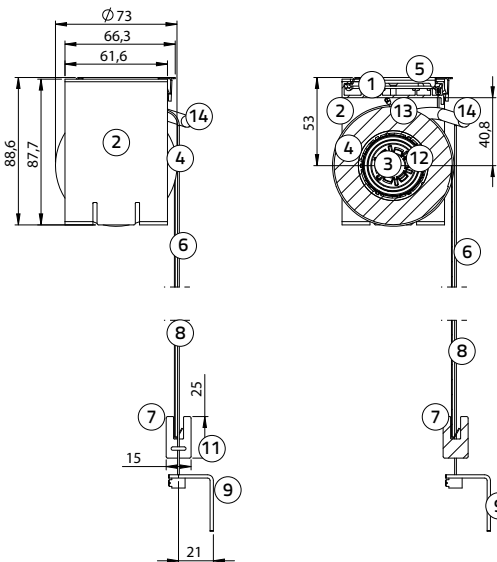
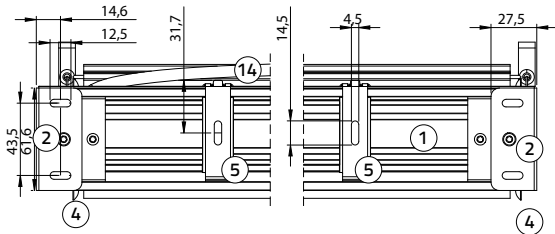


Design Roller Blind M-Bracket

Motion 230V, mounting profile, side cables

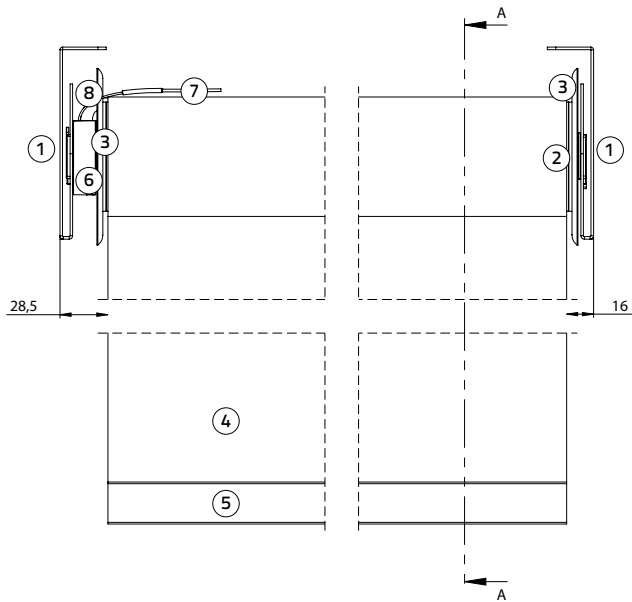


- ① Mounting profile
- ② M-bracket
- ③ Tube
- ④ Guide disc **S**
- ⑤ Bracket for mounting profile
- ⑥ Material
- ⑦ Bottom rail
- ⑧ Side cable
- ⑨ Fastening bracket big (side cable)
- ⑩ Fastening bracket small (side cable)
- ⑪ Eyelet for side cable
- ⑫ 230 V Motor
- ⑬ Radio antenna with QR-code
- ⑭ Power cable

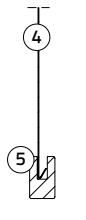
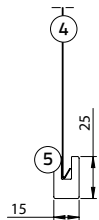
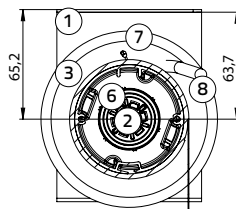
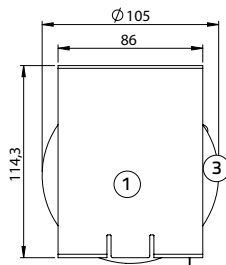
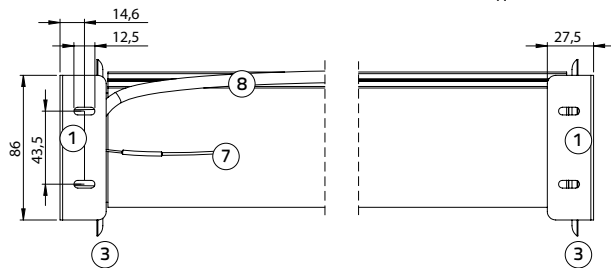


Design Roller Blind L-Bracket

Motion 230V

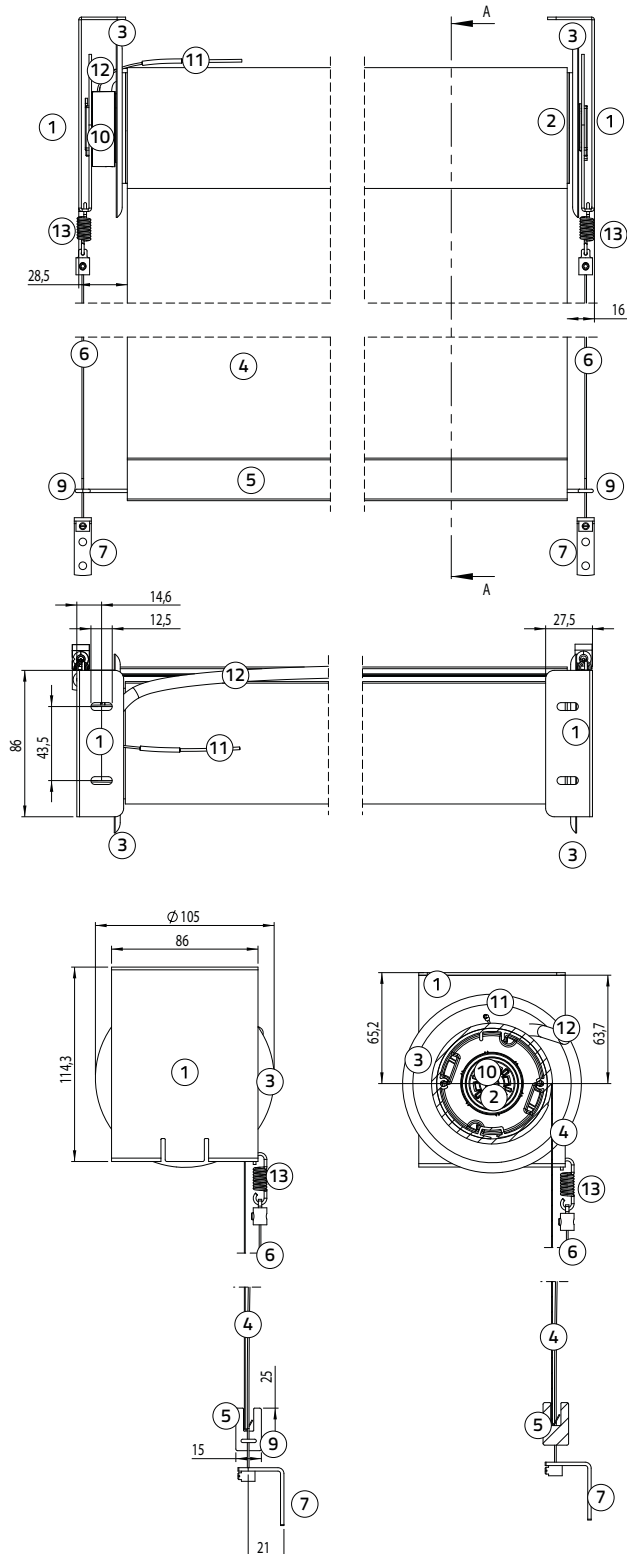


- ① L-bracket
- ② Tube
- ③ Guide disc L
- ④ Material
- ⑤ Bottom rail
- ⑥ 230 V Motor
- ⑦ Radio antenna with QR-code
- ⑧ Power cable



Design Roller Blind L-Bracket

Motion 230V, side cables

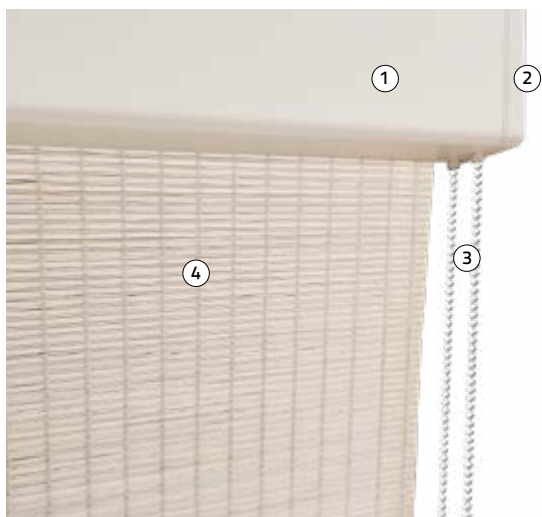


- ① L-bracket
- ② Tube
- ③ Guide disc L
- ④ Material
- ⑤ Bottom rail
- ⑥ Side cable
- ⑦ Fastening bracket big (side cable)
- ⑧ Fastening bracket small (side cable)
- ⑨ Eyelet for side cable
- ⑩ 230 V Motor
- ⑪ Radio antenna with QR-code
- ⑫ Power cable
- ⑬ Tentioner for side cable

ND
SUBLIME
collection

Design Roller Blind M-Cassette

endless chain



- ① Cassette
- ② Endcap
- ③ Endless chain
- ④ Material

Price list

Page 28 - 30

Collection book

Woven Bamboo Thin Sticks (S140-S183)
Woven Bamboo Flat Sticks (S184-S224)
Natural Fabrics (S225-S248, S257-S259)

Description

Aluminium design cassette closed in black or white; custom colors with surcharge; aluminium bottom rail in black or white; custom colors with surcharge; colors of the material and combinations see collection books and design overviews, custom colors with surcharge; colors of operating metal endless chain see sample card CHAINS & TASSELS; guide rails from aluminium in white and black, custom colors with surcharge, guide rails for some designs of the Natural Fabrics collection possible.

Material

Woven bamboo or natural fabrics
see collection books and design overviews:
Woven Bamboo Thin Sticks, Woven Bamboo
Flat Sticks, Natural Fabrics

Operating

Operating with metal endless chain,
length of your choice

Additions (surcharge see price list)

- Custom colors woven bamboo, cassette,
guide rails and bottom rail
- Side cables in silver, white and black, for on de wall
and on the ceiling

Mounting

Universal-brackets for wall and ceiling

Dimensions cassette incl. bracket

Width: 93,1 mm, height 98,9 mm

Dimensions cassette incl. bracket and bottom rail

Width: 93,1 mm, height 126,3 mm

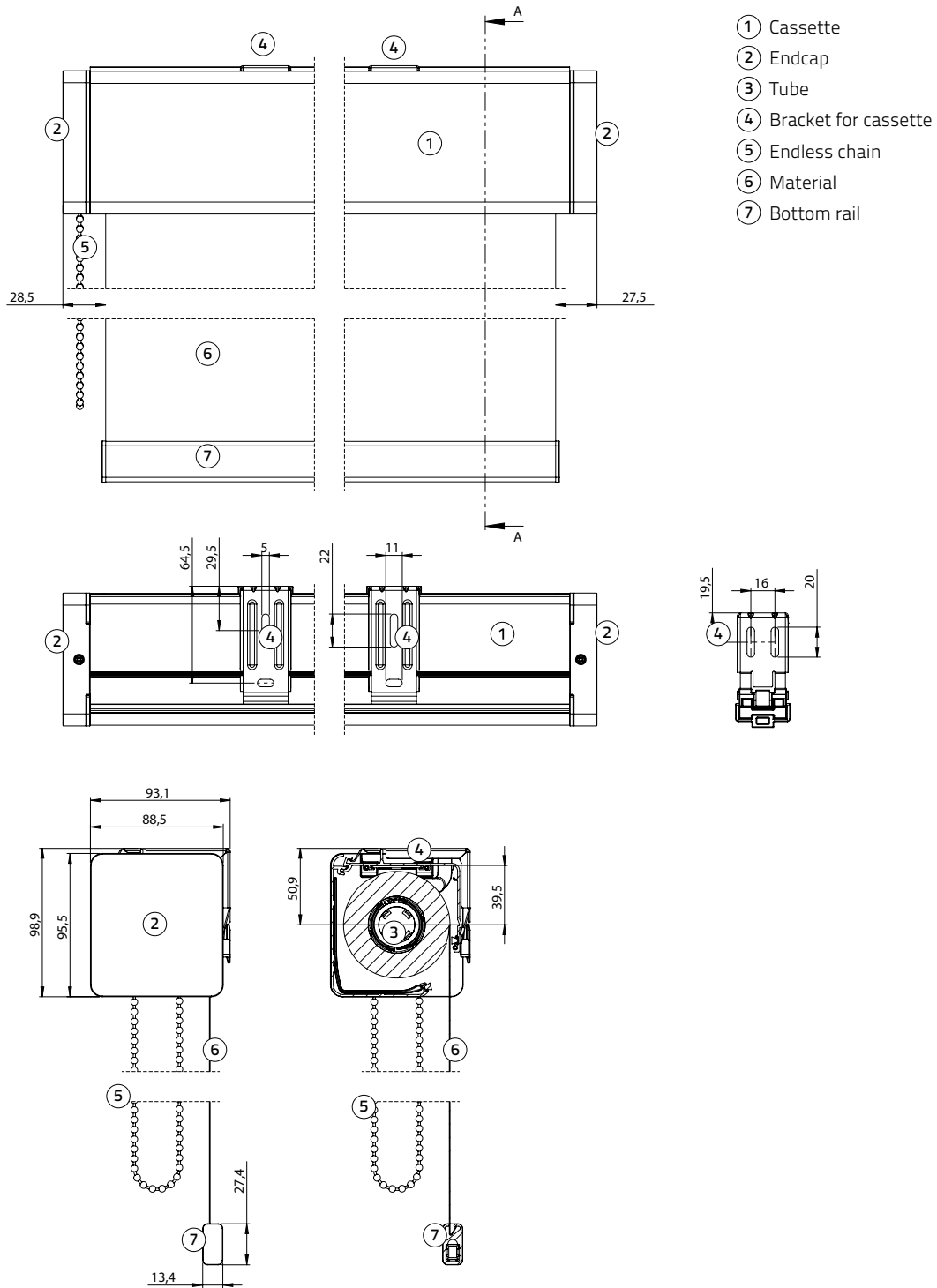
Dimensions

Min. width 60 cm
Max. width 240 cm
Min. height 80 cm
Max. height see price list
Max. m² see price list

Aluminium bottom rail: width 13 mm, height 26 mm

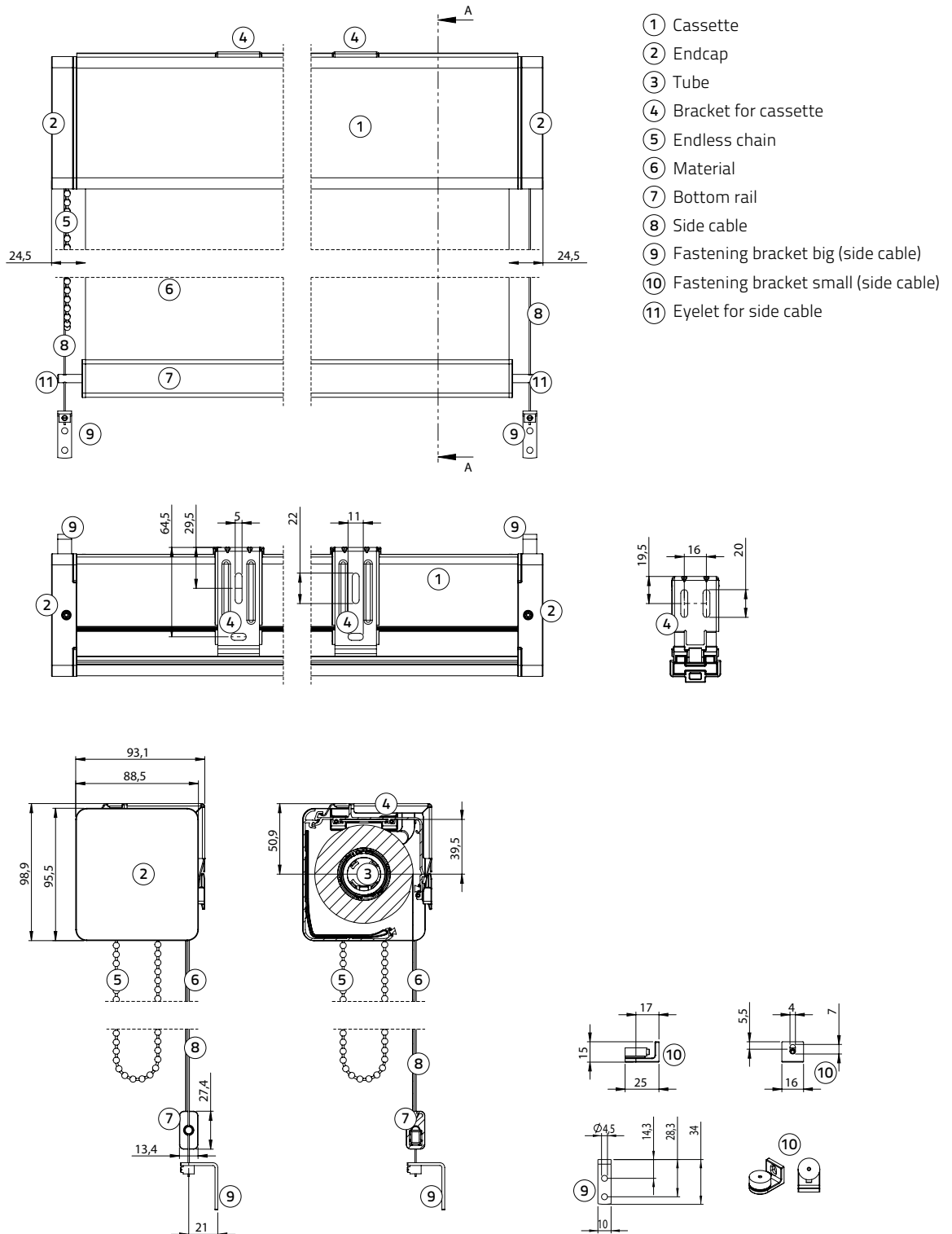
Design Roller Blinds M-Cassette

endless chain



Design Roller Blinds M-Cassette

endless chain, side cables

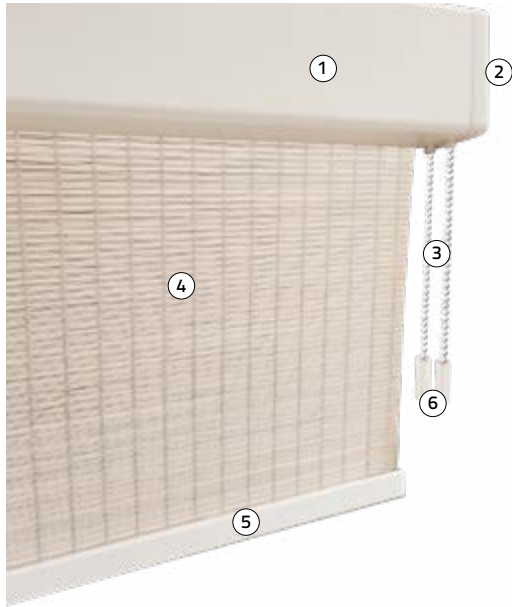


- ① Cassette
- ② Endcap
- ③ Tube
- ④ Bracket for cassette
- ⑤ Endless chain
- ⑥ Material
- ⑦ Bottom rail
- ⑧ Side cable
- ⑨ Fastening bracket big (side cable)
- ⑩ Fastening bracket small (side cable)
- ⑪ Eyelet for side cable

ND
SUBLIME
collection

Design Roller M-Cassette

double cord / double chain



- ① Cassette
- ② Endcap
- ③ Double chain
- ④ Material
- ⑤ Bottom rail
- ⑥ Tassels

Price list

Page 28 - 30

Collection book

Woven Bamboo Thin Sticks (S140-S165/S147)
Woven Bamboo Flat Sticks (S184-S206/S188)
Natural Fabrics (S225-S248, S257-S259)

Description

Aluminium design closed cassette in black or white; custom colors with surcharge; aluminium bottom rail in black or white; custom colors with surcharge; colors of the material and combinations see collection books and design overviews, custom colors with surcharge; colors of operating double chain/cord see sample cards PULLING CORDS 5 and CHAINS & TASSELS; standard wooden tassels for double cord, color like the material or similar; standard metal tassels for metal double chain, tassels (wood, metal or glass-crystal (surcharge) and cord cleat see sample cards CHAINS & TASSELS; guide rails for some designs of the Natural Fabrics collection possible.

Material

Woven bamboo or natural fabrics
see collection books and design overviews:
Woven Bamboo Thin Sticks, Woven Bamboo Flat Sticks, Natural Fabrics

Operating

Operating with double chain/cord,
length of your choice
no need of child safety tassel

Additions (surcharge see price list)

- Custom colors woven bamboo, cassette, guide rails and bottom rail
- Side cables in silver, white and black, for on de wall and on the ceiling
- Glass-crystal-tassels

Mounting

Universal-brackets for wall and ceiling

Dimensions cassette incl. bracket

Width 93,1 mm, height 98,9 mm

Dimensions cassette incl. bracket and bottom rail

Width 93,1 mm, height 126,3 mm

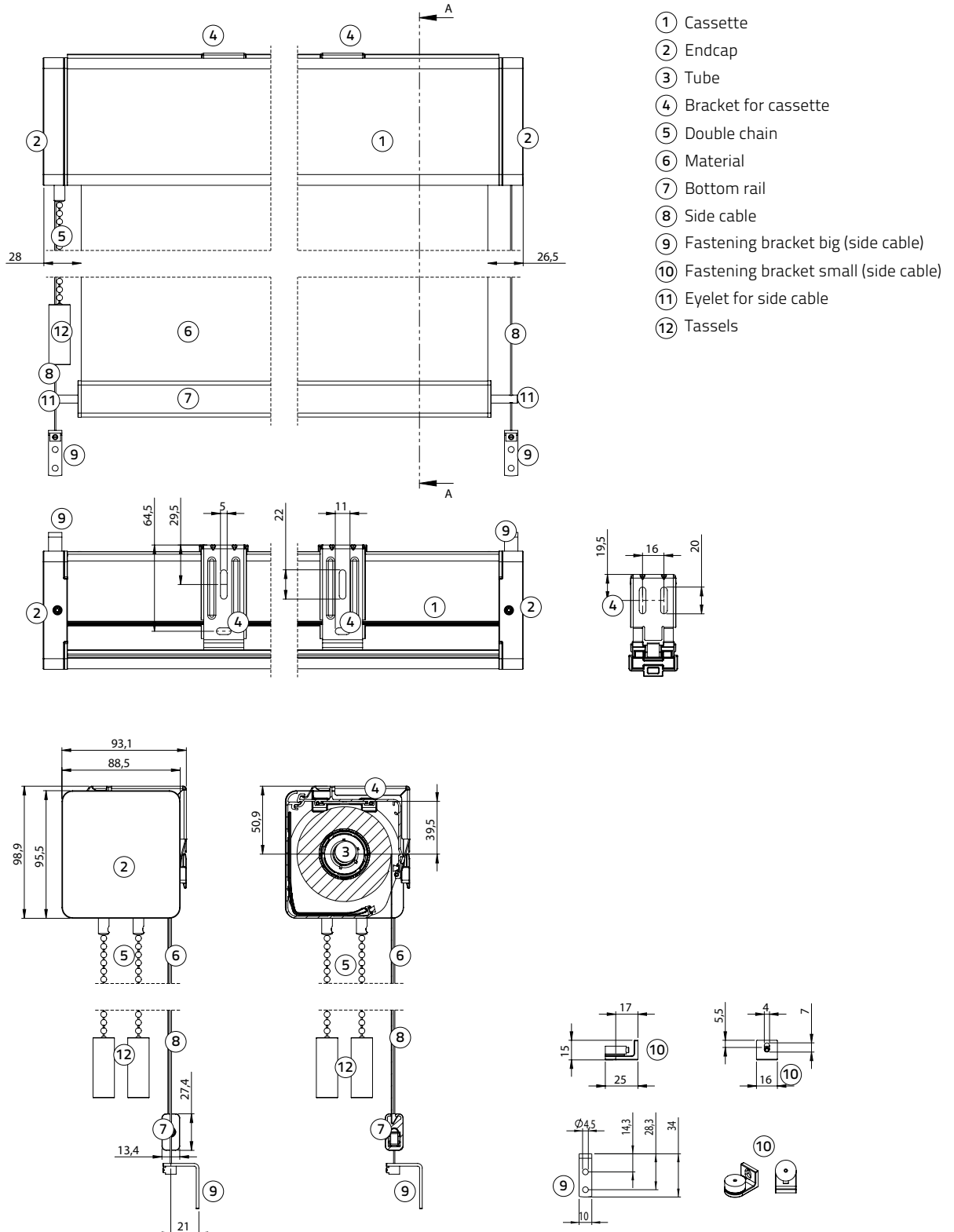
Product dimensions

Min. width 60 cm
Max. width 240 cm
Min. height 80 cm
Max. height see price list
Max. m² see price list

Aluminium bottom rail: width 13 mm, height 26 mm

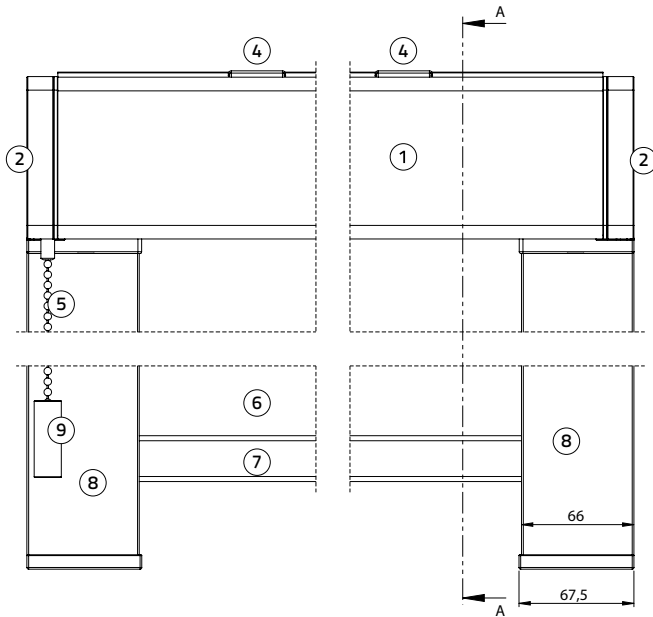
Design Roller Blinds M-Cassette

double chain, side cables

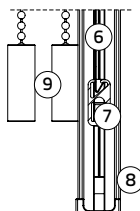
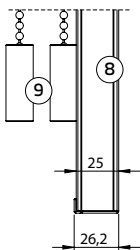
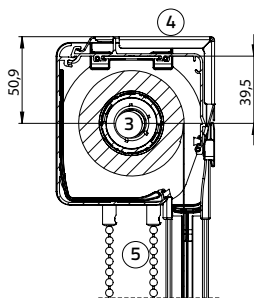
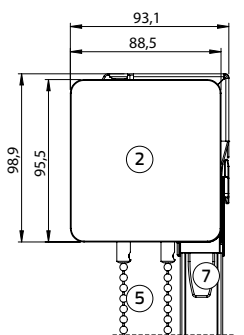
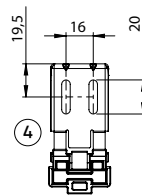
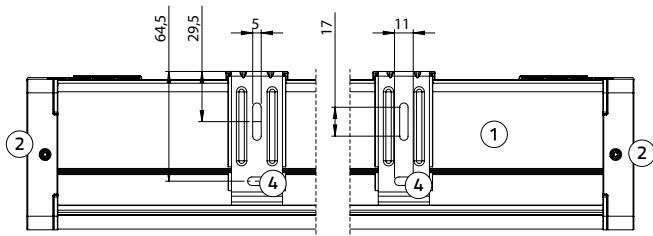


Design Roller Blinds M-Cassette

double chain, guide rails

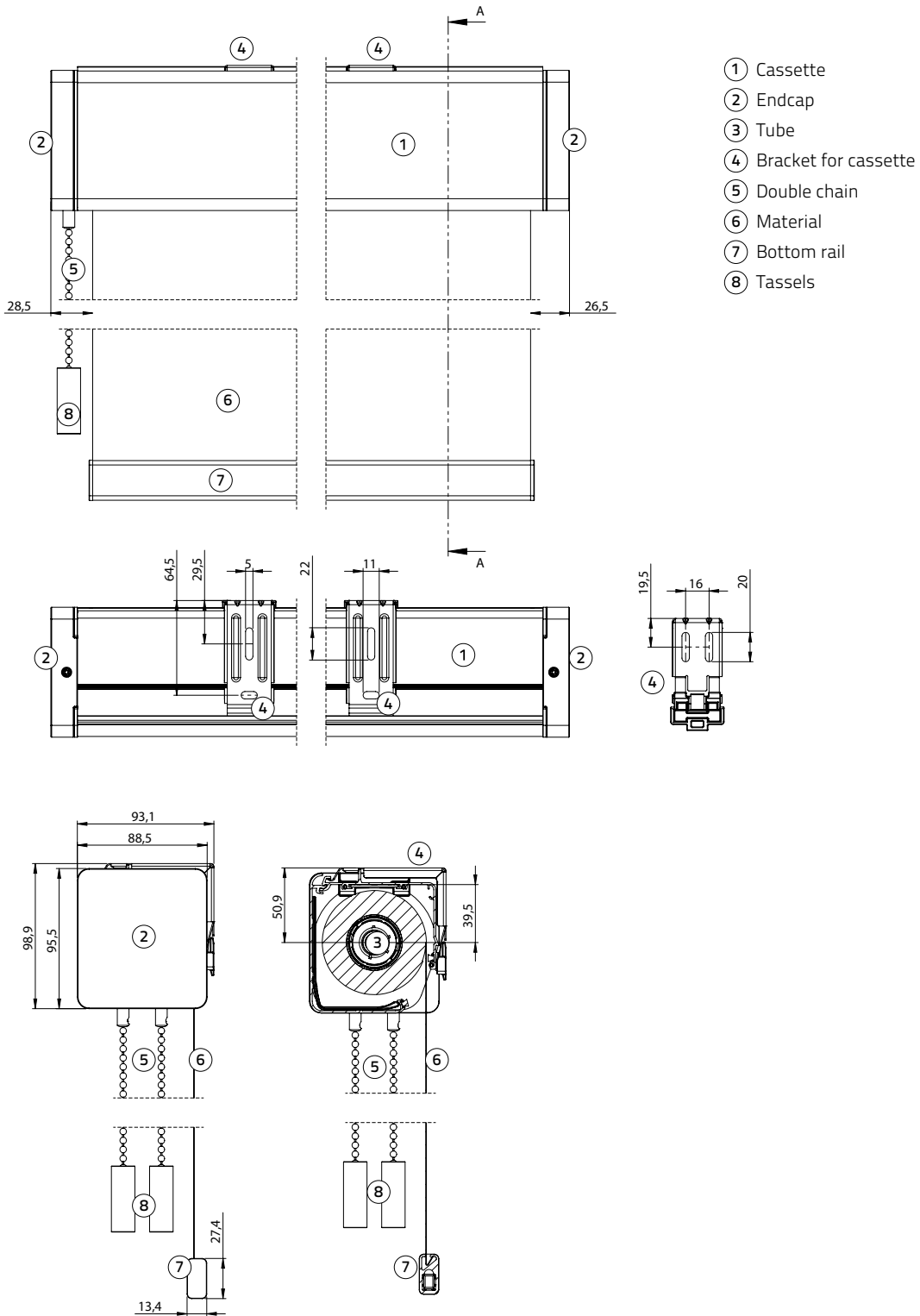


- ① Cassette
- ② Endcap
- ③ Tube
- ④ Bracket for cassette
- ⑤ Double chain
- ⑥ Material
- ⑦ Bottom rail
- ⑧ Guide rail
- ⑨ Tassels



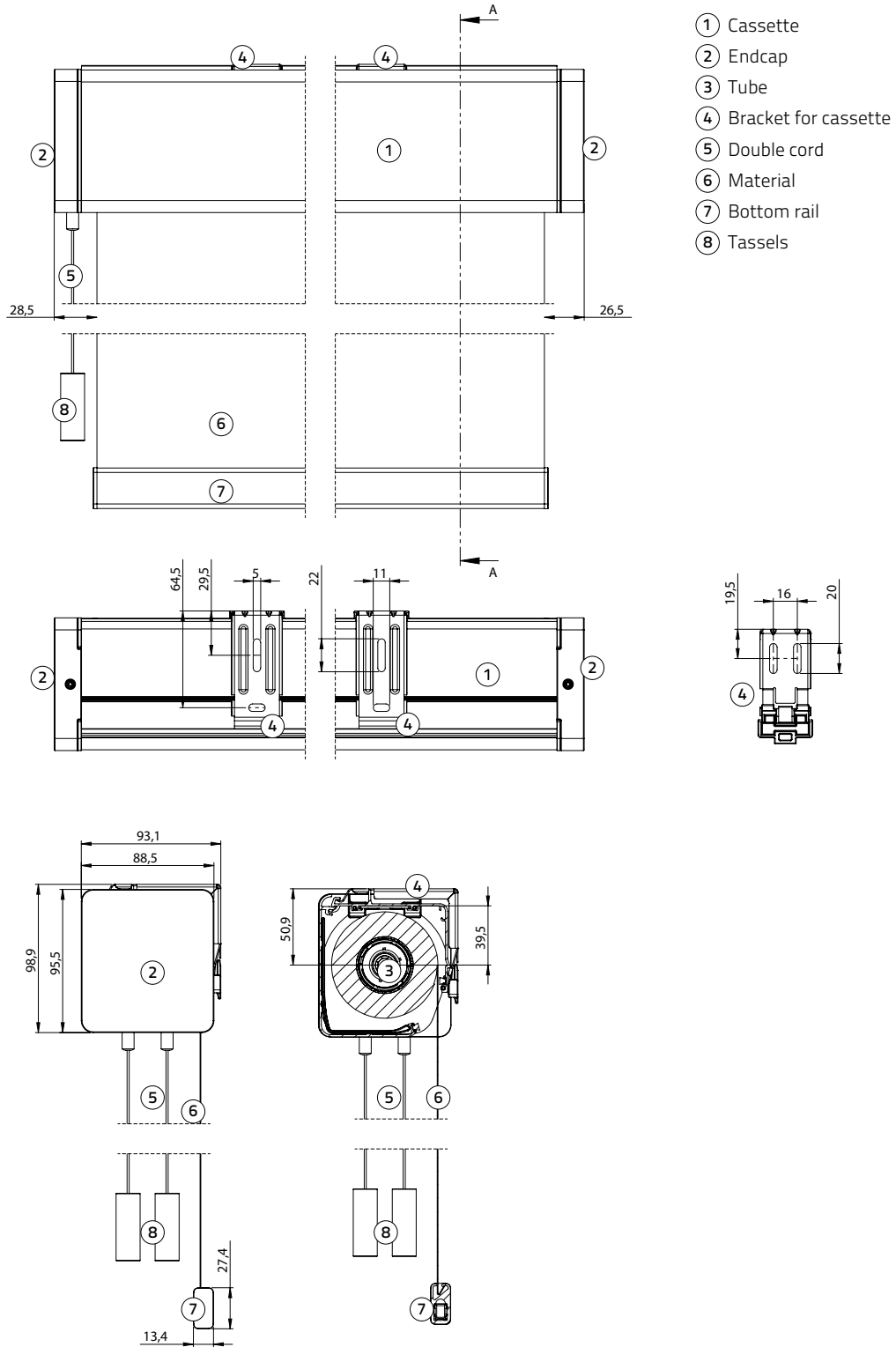
Design Roller Blinds M-Cassette

double chain



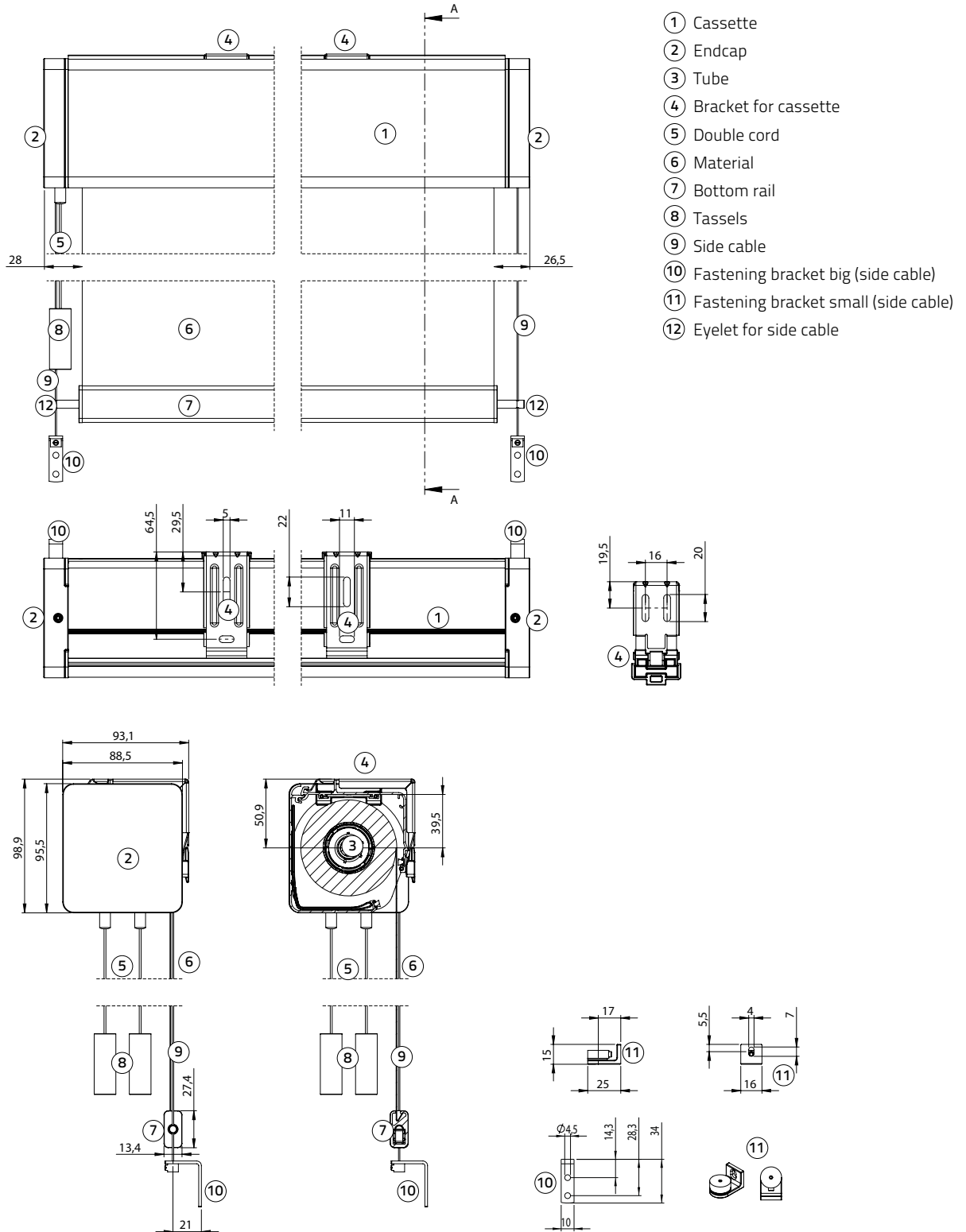
Design Roller Blinds M-Cassette

double cord



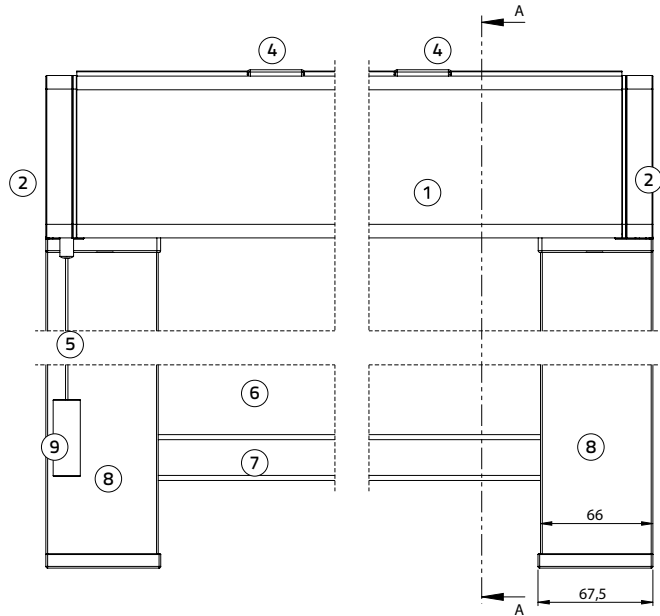
Design Roller Blinds M-Cassette

double cord, side cables

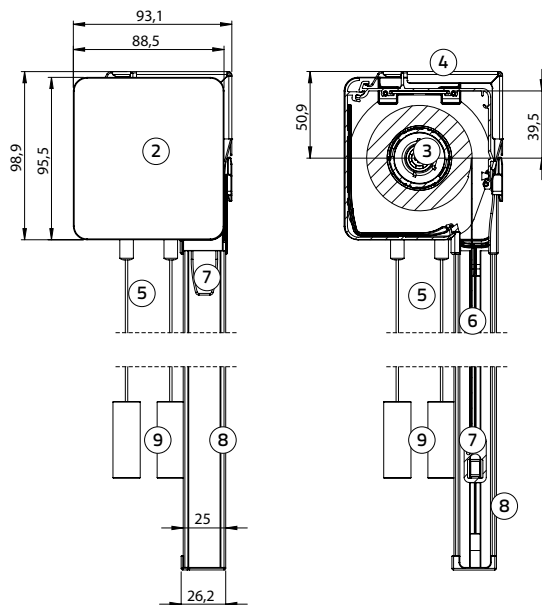
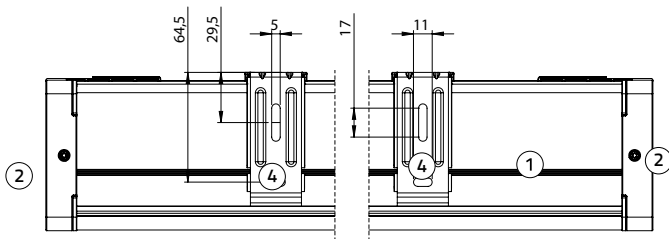


Design Roller Blinds M-Cassette

double cord, guide rails



- ① Cassette
- ② Endcap
- ③ Tube
- ④ Bracket for cassette
- ⑤ Double cord
- ⑥ Material
- ⑦ Bottom rail
- ⑧ Guide rail
- ⑨ Tassels



ND
SUBLIME
collection

Design Roller Blinds M-Cassette

Motion Battery motor cord / chain



- ① Cassette
- ② Endcap
- ③ Motor cord
- ④ Material
- ⑤ USB-C-port with LED
- ⑥ Connector motor cord

Price list

Page 32 - 33

Collection book

Woven Bamboo Thin Sticks (S140-S165/S147)
Woven Bamboo Flat Sticks (S184-S206/S188)
Natural Fabrics (S225-S248, S257-S259)

Description

Aluminium design cassette closed in black or white; custom colors with surcharge; aluminium guide rails and bottom rail in black or white; custom colors with surcharge; colors of the material and combinations see collection books and design overviews, custom colors with surcharge; battery motor with rechargeable battery, USB-C port for charging with LED; motor cord/chain, colors see sample cards PULLING CORDS 5 and CHAINS & TASSELS; pvc tassel with QR-code see sample card CHAINS & TASSELS; manual battery motor see brochure MotionBlinds; guide rails for some designs of the Natural Fabrics collection possible.

Material

Woven bamboo or natural fabrics
see collection books and design overviews:
Woven Bamboo Thin Sticks, Woven Bamboo Flat Sticks, Natural Fabrics

Operating

With Battery motor:
Coulisse CM-06:
motor cord/chain, remote control or app,
Smarthome capable for Bluetooth
Coulisse CM-06-E-R (EVE):
motor cord/chain, remote control or app,
Smarthome capable for Thread and Matter (available from July 2024)
no need of child safety tassel

Dimensions cassette incl. bracket

Width 93,1 mm, height 98,9 mm

Dimensions cassette incl. bracket and bottom rail

Width 93,1 mm, height 126,3 mm

Product dimensions

Min. width Coulisse CM-06	80 cm
Min. width Coulisse CM-06-E-R	85 cm
Max. width	240 cm
Min. height	80 cm
Max. height	see price list
Max. m ²	see price list

Aluminium bottom rail: width 13 mm, height 26 mm

Additions (surcharge see price list)

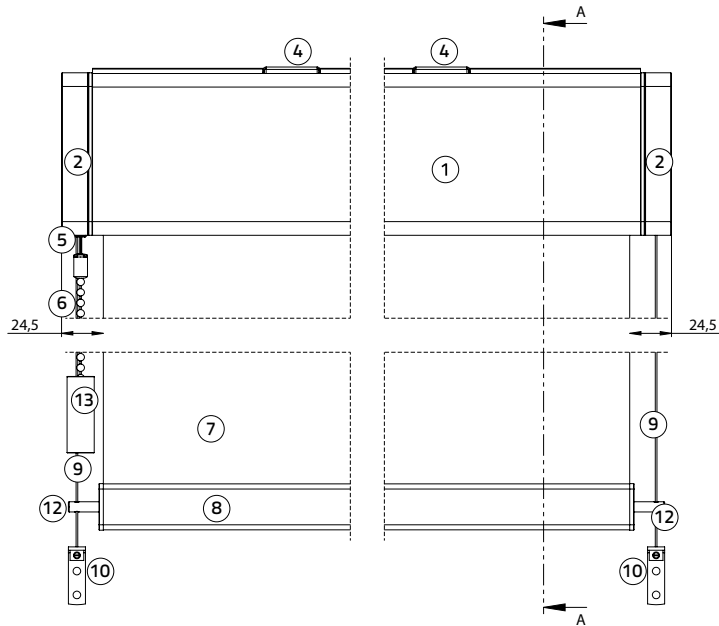
- Custom colors woven bamboo, cassette, guide rails and bottom rail
- Side cables in silver, white and black, for on de wall and on the ceiling
- Remote controls

Mounting

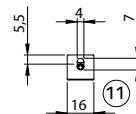
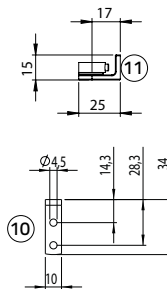
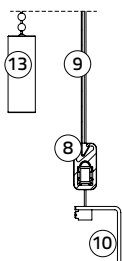
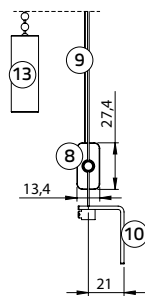
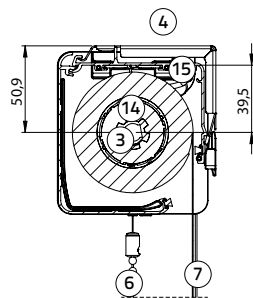
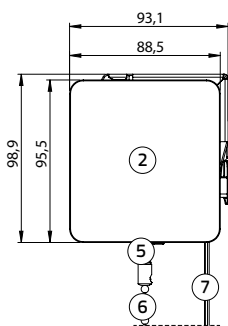
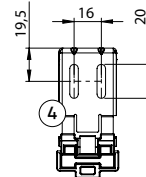
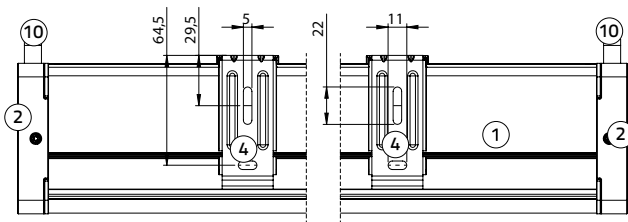
Universal-brackets for wall and ceiling

Design Roller Blinds M-Cassette

Motion Battery, motor cord/chain, side cables

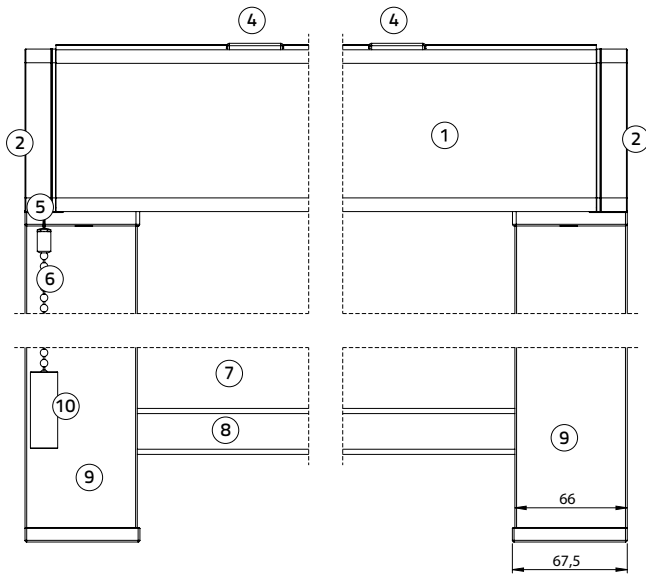


- ① Cassette
- ② Endcap
- ③ Tube
- ④ Bracket for cassette
- ⑤ USB-C port with LED
- ⑥ Motor chain
- ⑦ Material
- ⑧ Bottom rail
- ⑨ Side cable
- ⑩ Fastening bracket big (side cable)
- ⑪ Fastening bracket small (side cable)
- ⑫ Eyelet for side cable
- ⑬ Tassel with QR-code
- ⑭ Battery motor
- ⑮ Radio antenna, Bluetooth antenna

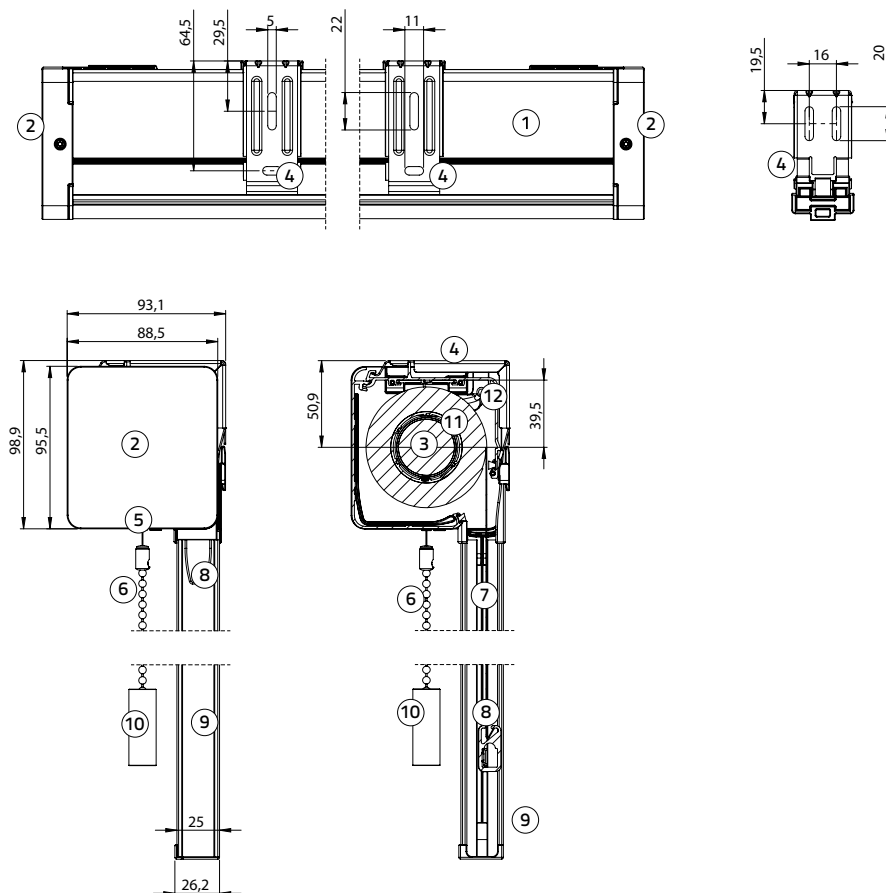


Design Roller Blinds M-Cassette

Motion Battery, motor cord/chain, guide rails



- ① Cassette
- ② Endcap
- ③ Tube
- ④ Bracket for cassette
- ⑤ USB-C port with LED
- ⑥ Motor chain
- ⑦ Material
- ⑧ Bottom rail
- ⑨ Guide rail
- ⑩ Tassel with QR-code
- ⑪ Battery motor
- ⑫ Radio antenna, Bluetooth antenna



Design Roller Blinds M-Cassette

Motion 230V



- ① Cassette
- ② Endcap
- ③ Tube
- ④ Bracket for cassette
- ⑤ Material
- ⑥ Bottom rail

Price list

Page 34 - 35

Collection book

Woven Bamboo Thin Sticks (S140-S165/S147)
 Woven Bamboo Flat Sticks (S184-S206/S188)
 Natural Fabrics (S225-S248, S257-S259)

Description

Aluminium design cassette closed in black or white; custom colors with surcharge; aluminium guide rails and bottom rail in black or white; custom colors with surcharge; colors of the material and combinations see collection books and design overviews, custom colors with surcharge; operating with 230 V motor (mechanical or radio) with remote control or app; manual 230 V motor see the MotionBlinds brochure; guide rails for some designs of the Natural Fabrics collection possible.

Material

Woven bamboo or natural fabrics
 see collection books and design overviews:
 Woven Bamboo Thin Sticks, Woven Bamboo
 Flat Sticks, Natural Fabrics

Operating

Somfy Sonesse 40 RTS & Coulisse CM-09-QC:
 with remote control or app,

Smarthome capable with Bluetooth

Somfy Sonesse 40 WT & Coulisse CM-09-QMC:
 for switch, **Bus-system capable**

Additions (surcharge see price list)

- Custom colors woven bamboo, cassette, guide rails and bottom rail
- Side cables in silver, white and black, for on de wall and on the ceiling
- Remote controls

Mounting

Universal-brackets for wall and ceiling

Dimensions cassette incl. bracket

Width 93,1 mm, height 98,9 mm

Dimensions cassette incl. bracket and bottom rail

Width 93,1 mm, height 126,3 mm

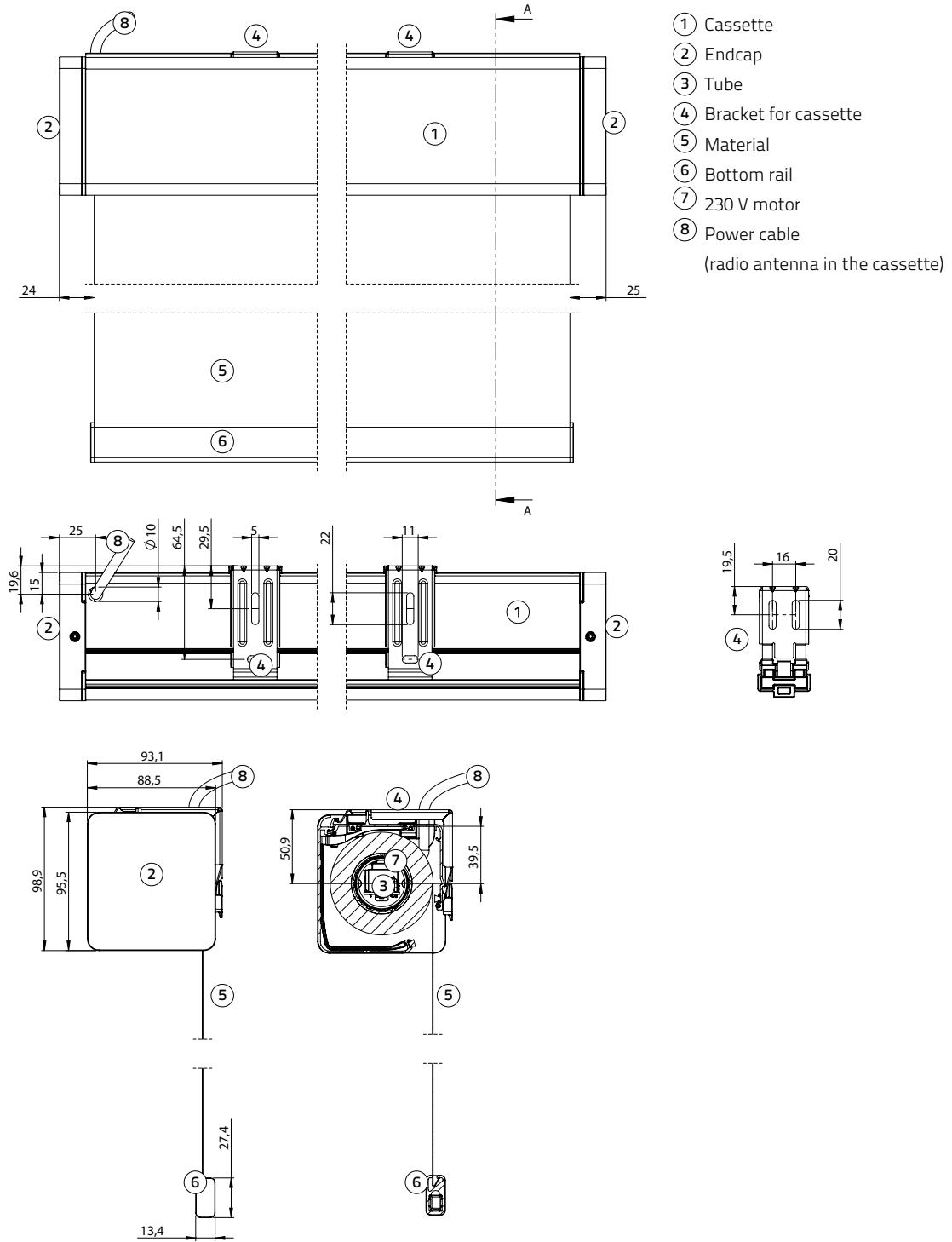
Product dimensions

Min. width Coulisse CM-09-QC	80 cm
Min. width Coulisse CM-09-QMC	85 cm
Min. width Somfy Sonesse 40RTS	70 cm
Min. width Somfy Sonesse 40WT	65 cm
Min. height	80 cm
Max. height	see price list
Max. m ²	see price list

Aluminium bottom rail: width 13 mm, height 26 mm

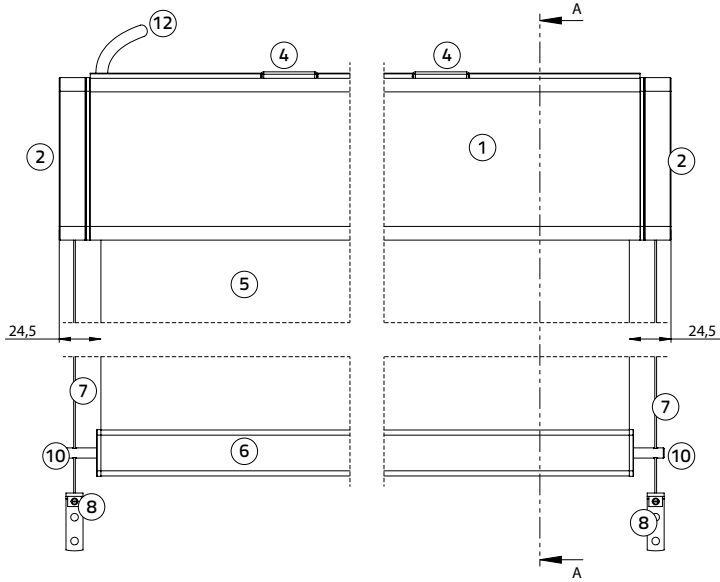
Design Roller Blinds M-Cassette

Motion 230V

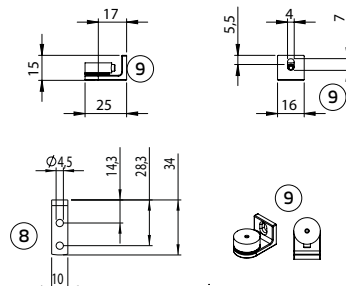
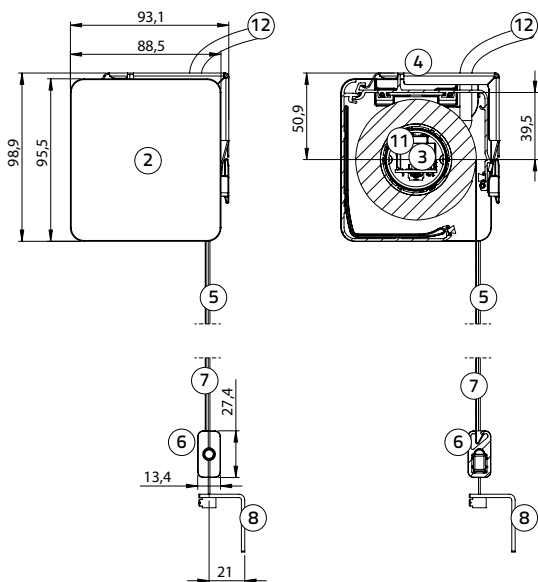
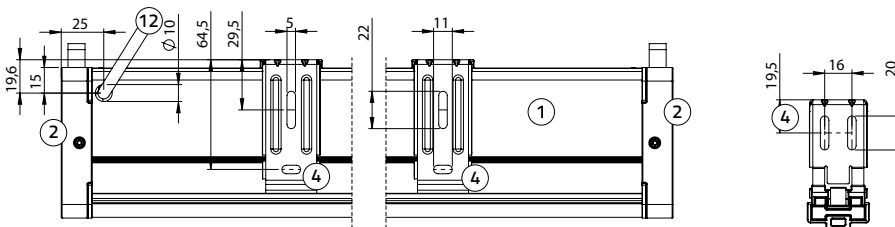


Design Roller Blinds M-Cassette

Motion 230V, side cables

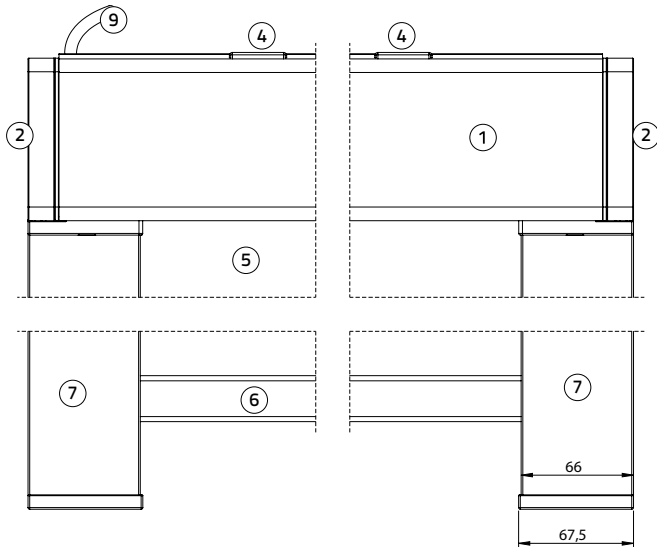


- ① Cassette
- ② Endcap
- ③ Tube
- ④ Bracket for cassette
- ⑤ Material
- ⑥ Bottom rail
- ⑦ Side cable
- ⑧ Fastening bracket big (side cable)
- ⑨ Fastening bracket small (side cable)
- ⑩ Eyelet for side cable
- ⑪ 230 V motor
- ⑫ Power cable, (radio cable in the cassette)

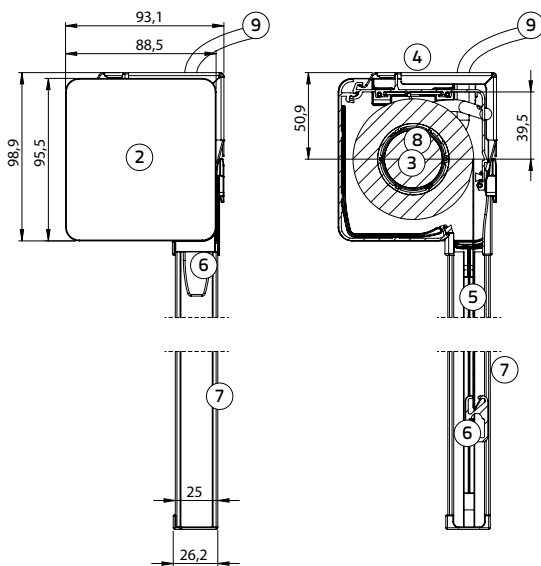
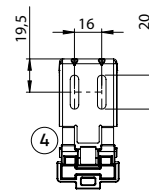
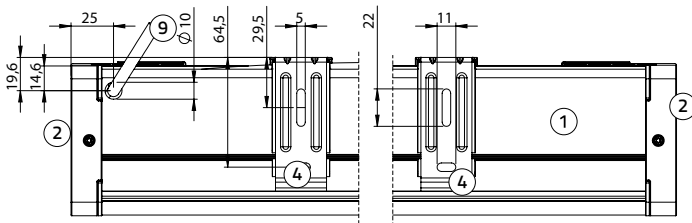


Design Roller Blinds M-Cassette

Motion 230V, guide rails



- ① Cassette
- ② Endcap
- ③ Tube
- ④ Bracket for cassette
- ⑤ Material
- ⑥ Bottom rail
- ⑦ Guide rail
- ⑧ 230 V motor
- ⑨ Power cable
(radio cable in the cassette)







ROMAN SHADE

Product Information

Product height in cm	100	120	140	160	180	200	220	240	260	280	300
CA. PACKAGE HEIGHT IN CM											
Woven Bamboo Thin Sticks	25	25	25	25	25	25	25	25	25	25	25
Woven Bamboo Flat Sticks	25	25	25	25	25	25	25	25	25	25	25
Natural Fabrics	25	25	25	25	25	25	25	25	25	25	25
NUMBER OF BRACKETS/CORDS											
Product width in cm	< 90	90 - 140	141 - 190	191 - 240							
Brackets	2	3	4	5							
Cords	2	3	4	5							

MIN. PRODUCT WIDTH BATTERY MOTORS				
CM-06	80 cm	80 cm	80 cm	80 cm
CM-06-E-R	85 cm	85 cm	85 cm	85 cm
CM-07 with CM-38 (battery)	80 cm	80 cm	80 cm	80 cm
MIN. PRODUCT WIDTH 230 V MOTORS				
CM-09-QC	80 cm	80 cm	80 cm	80 cm
CM-09-QMC	80 cm	80 cm	80 cm	80 cm
Somfy Sonesse 40 RTS	70 cm	70 cm	70 cm	70 cm
Somfy Sonesse 40 WT	65 cm	65 cm	65 cm	65 cm
Max. m ²	see price list	see price list	see price list	see price list



ND
SUBLIME
collection

Roman Shade Classic System

pulling cord



- ① Head rail
- ② Bracket
- ③ Eyelet
- ④ Pulling cord
- ⑤ Material
- ⑥ Bottom rail
- ⑦ Child safety tassel
- ⑧ Tassel

Price list

Page 42 - 44

Collection book

Woven Bamboo Thin Sticks (S140-S165BB)
 Woven Bamboo Flat Sticks (S184-S206BB)
 Natural Fabrics (S225-S243, S249-S266)

Description

Wooden head rail and bottom rail; eyelet from metal; child safety tassel made from pvc; standard operating tassel from wood: all colors of before mentioned components are as the material or similar; colors of the material and combinations see collection books and design overviews; color of pulling cord similar the material, colors see sample card PULLING CORDS 5, cord rolls and cord lock in white, light grey, bronze or black; rods and lining fabrics see design overviews; tassels standard from wood, tassels of your choice in wood, metal or glass-crystal (surcharge) and cord cleats see sample cards CHAINS & TASSELS; pulling cord frontside of the product.

Material

Woven bamboo or natural fabrics
 see collection books and design overviews:
 Woven Bamboo Thin Sticks, Woven Bamboo Flat Sticks, Natural Fabrics

Operating

With pulling cord, locking with cord lock, cord length and cord cleat up to your choice

Additions (surcharge see price list)

- Side cables in silver, white and black, for on de wall and on the ceiling
- Custom colors woven bamboo, head rail, eyelet, child safety tassel, wooden tassel and bottom rail
- Lining (adhesive) semi-transparent or dimout for Woven Bamboo (for Flat Sticks only)
- Lining (sewn on) semi-transparent or blackout for Natural Fabrics only (see designoverview)
- Rods
- Glass-crystal-tassels

Mounting

Universal-brackets for wall and ceiling

Head rail size incl. bracket

Width 54,1 mm, height 26 mm

Head rail size incl. bracket, material and bottom rail

Width 56 mm, height 250 mm

Bottom rail size:

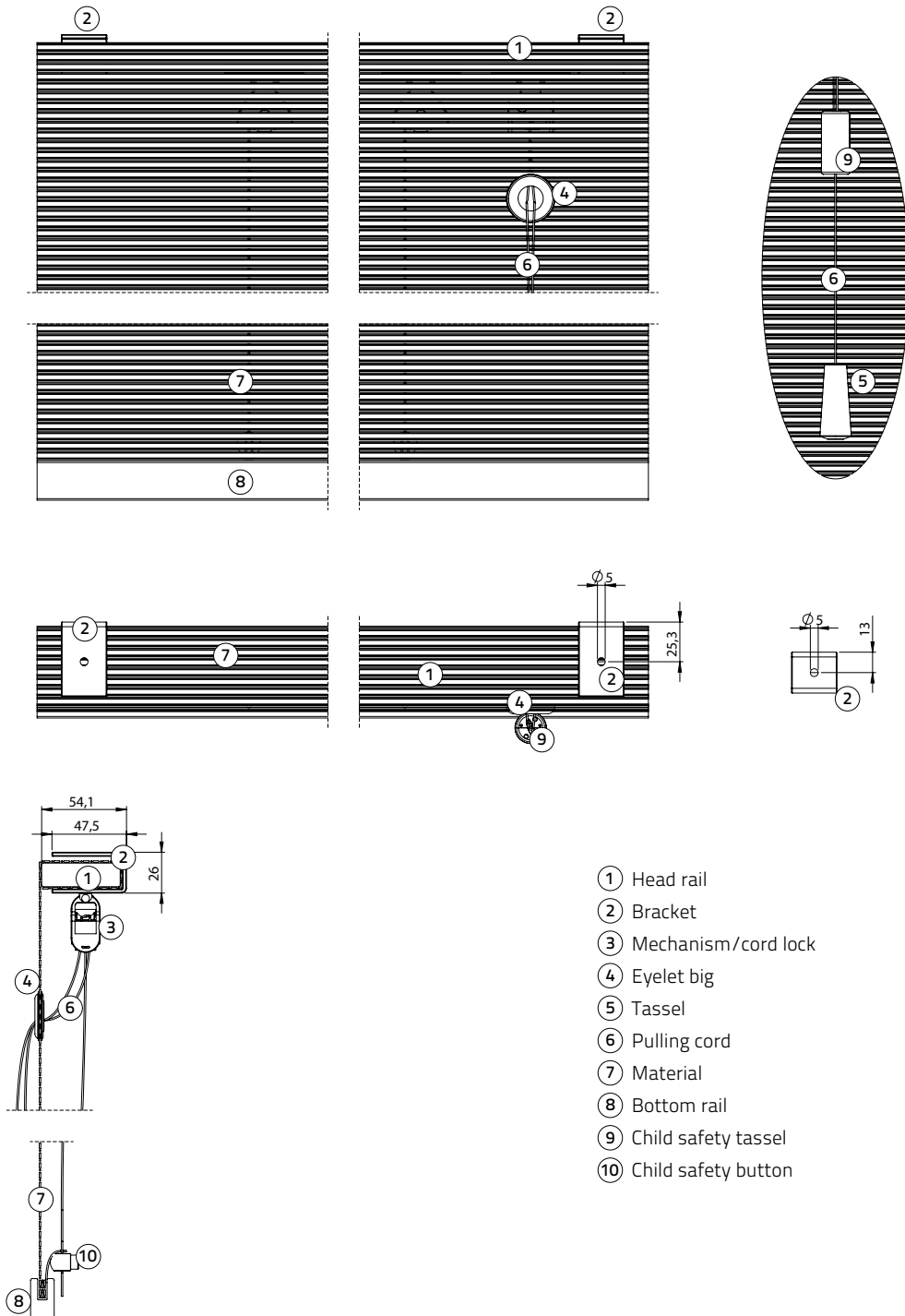
Width 15 mm, height 25 mm

Product dimensions

Min. width 60 cm
 Max. width 240 cm
 Min. height 80 cm
 Max. height 300 cm
 Max. m² see price list

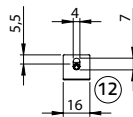
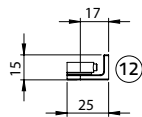
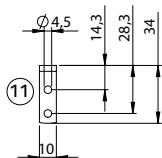
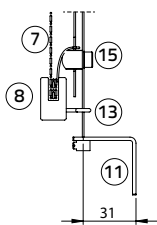
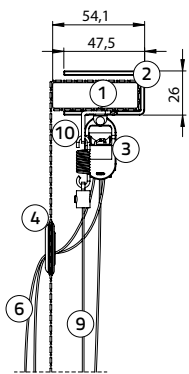
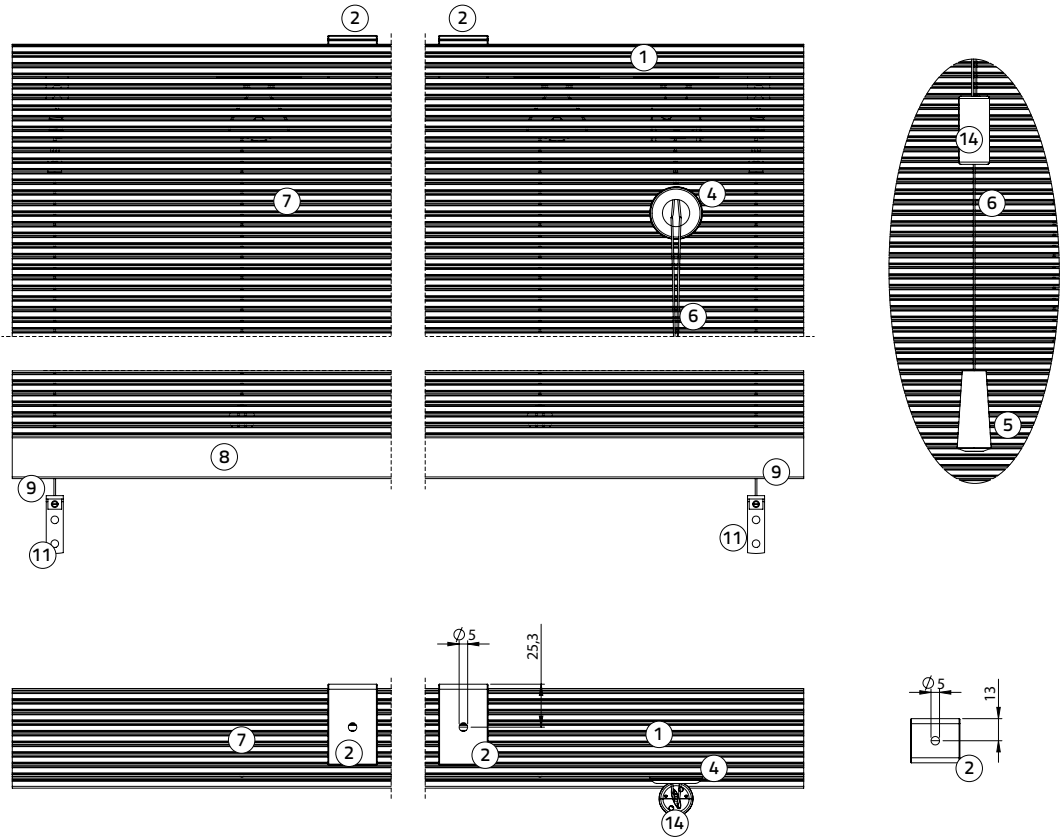
Roman Shade Classic System

pulling cord



Roman Shade Classic System

pulling cord, side cables

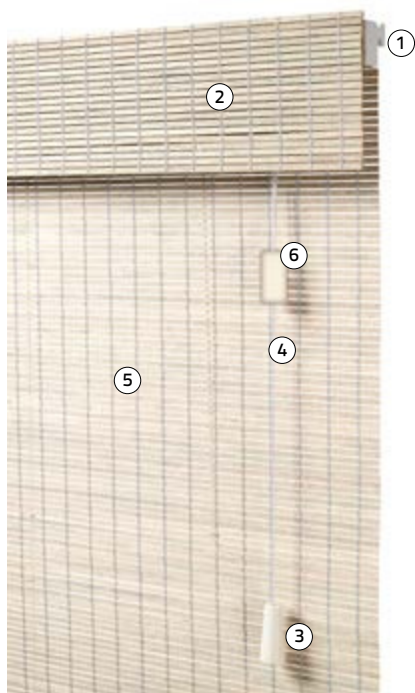


- ① Head rail
- ② Bracket
- ③ Mechanism/cord lock
- ④ Eyelet big
- ⑤ Tassel
- ⑥ Pulling cord
- ⑦ Material
- ⑧ Bottom rail
- ⑨ Side cable
- ⑩ Fastening spring side cable
- ⑪ Fastening bracket big (side cable)
- ⑫ Fastening bracket small (side cable)
- ⑬ Eyelet for side cable
- ⑭ Child safety tassel
- ⑮ Child safety button

ND
SUBLIME
collection

Roman Shade English System

pulling cord



- ① Head rail
- ② Valance
- ③ Tassel
- ④ Pulling cord
- ⑤ Material
- ⑥ Child safety tassel

Price list

Page 42

Collection book

Woven Bamboo Thin Sticks (S140-S165BB)
Woven Bamboo Flat Sticks (S184-S206BB)

Description

Wooden head rail and bottom rail; child safety tassel made from pvc; standard operating tassel from wood: all colors of before mentioned components are as the material or similar; colors of the material and combinations see collection books and design overviews; color of pulling cords similar to the material, colors see sample card PULLING CORDS 5, cord rolls and cord lock in white, light grey, bronze or black; rods see design overview Natural Fabrics; **lining fabric is not possible**; tassels of your choice in wood, metal or glass-crystal (surcharge) and cord cleats see sample cards CHAINS & TASSELS; pulling cord frontside of the product.

Material

Woven bamboo or natural fabrics
see collection books and design overviews:
Woven Bamboo Thin Sticks, Woven Bamboo
Flat Sticks, **Natural Fabrics not possible**

Operating

With pulling cord, locking with cord lock,
cord length and cord cleat up to your choice

Additions (surcharge see price list)

- Side cables in silver, white and black, for on de wall and on the ceiling
- Custom colors woven bamboo, head rail, eyelet, child safety tassel, wooden tassel and bottom rail
- Glass-crystal-tassel
- Rods

Mounting

Universal-brackets for wall and ceiling

Head rail size incl. bracket

Width 48,5 mm, height 39,4 mm

Head rail size incl. bracket, material and bottom rail

Width 50 mm, height 250 mm

Bottom rail size:

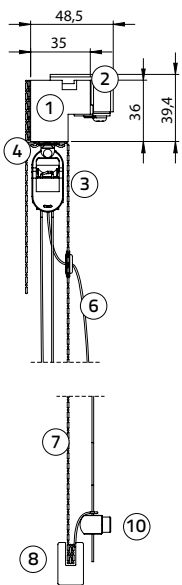
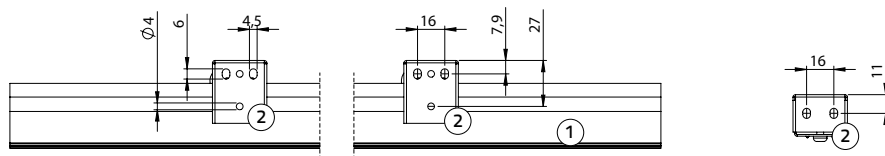
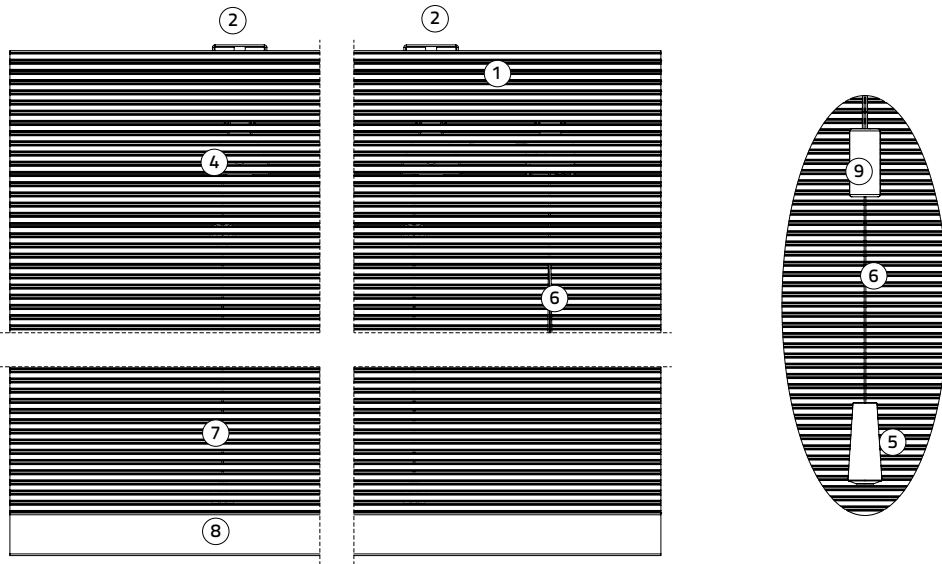
Width 15 mm, height 25 mm

Product dimensions

Min. width 60 cm
Max. width 240 cm
Min. height 80 cm
Max. height 300 cm
Max. m² see price list

Roman Shade English System

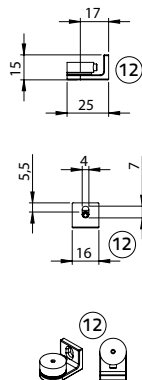
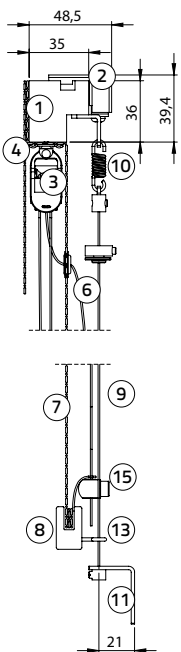
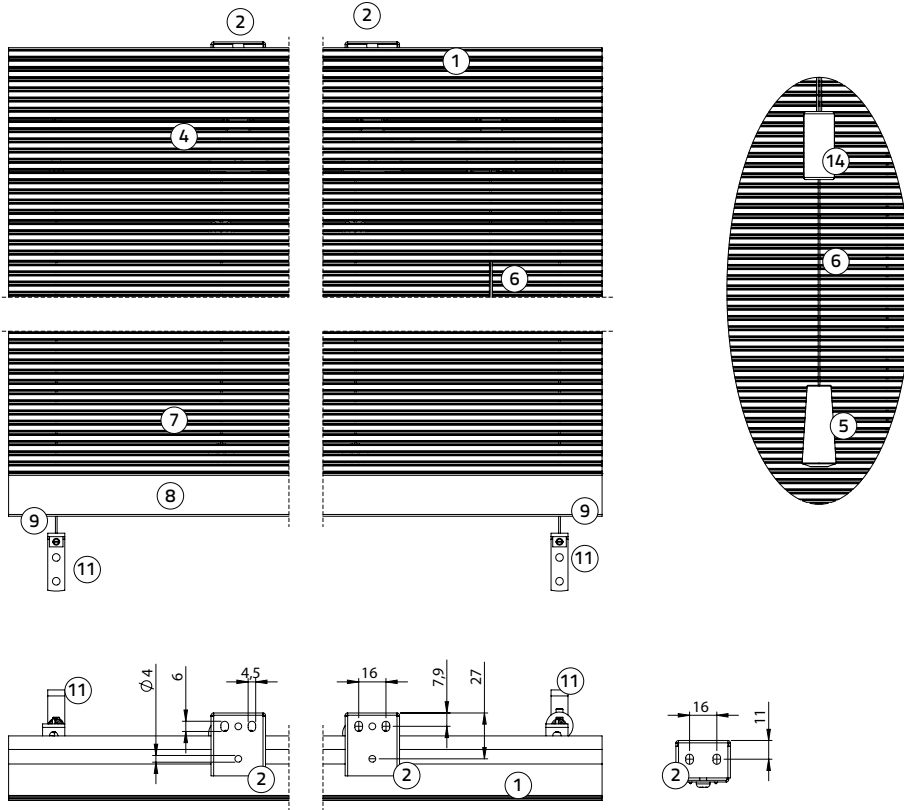
pulling cord



- ① Head rail
- ② Bracket
- ③ Mechanism/cord lock
- ④ Valance
- ⑤ Tassel
- ⑥ Pulling cord
- ⑦ Material
- ⑧ Bottom rail
- ⑨ Child safety tassel
- ⑩ Child safety button

Roman Shade English System

pulling cord, side cables

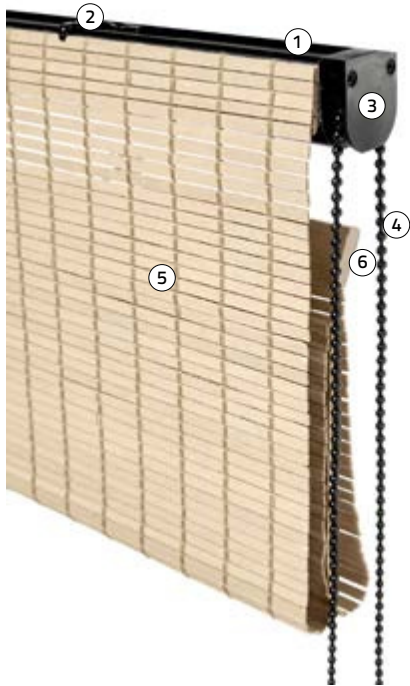


- ① Head rail
- ② Bracket
- ③ Mechanism/cord lock
- ④ Valance
- ⑤ Tassel
- ⑥ Pulling cord
- ⑦ Material
- ⑧ Bottom rail
- ⑨ Side cable
- ⑩ Fastening spring side cable
- ⑪ Fastening bracket big (side cable)
- ⑫ Fastening bracket small (side cable)
- ⑬ Eyelet for side cable
- ⑭ Child safety tassel
- ⑮ Child safety button

ND
SUBLIME
collection

Roman Shade Ultra System

endless chain



- ① Head rail
- ② Bracket
- ③ Mechanism
- ④ Endless chain
- ⑤ Material
- ⑥ Bottom rail

Price list

Page 46 - 48

Collection book

Woven Bamboo Thin Sticks (S140-S165BB)
 Woven Bamboo Flat Sticks (S184-S206BB)
 Natural Fabrics (S225-S243, S249-S266)

Description

Aluminium head rail painted in black or white (no custom colors possible); mounting of the material with velcro tape; wooden bottom rail, color as material or similar; colors of the material and combinations see collection books and design overviews; color of lift cords similar the material, colors see sample card PULLING CORDS 5; mechanism in pvc white and black; operating metal chain colors see sample card CHAINS & TASSELS; rods and lining fabrics see design overviews.

Material

Woven bamboo or natural fabrics
 see collection books and design overviews:
 Woven Bamboo Thin Sticks, Woven Bamboo
 Flat Sticks, Natural Fabrics

Operating

With metal endless chain, length of your choice.

Additions (surcharge see price list)

- Side cables in silver, white and black, for on de wall and on the ceiling
- Custom colors for woven bamboo and bottom rail
- Lining (adhesive) semi-transparent or dimout for Woven Bamboo (Flat Sticks only)
- Lining (sewn on) semi-transparent or blackout for Natural Fabrics (see design overview)
- Rods (see design overview)

Mounting

Universal-brackets for wall and ceiling

Head rail size incl. bracket

Width 36,5 mm, height 34 mm

Head rail size incl. bracket, material and bottom rail

Width 38 mm, height 250 mm

Bottom rail size:

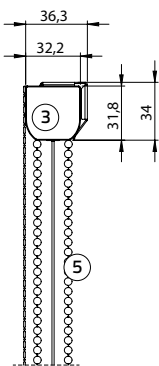
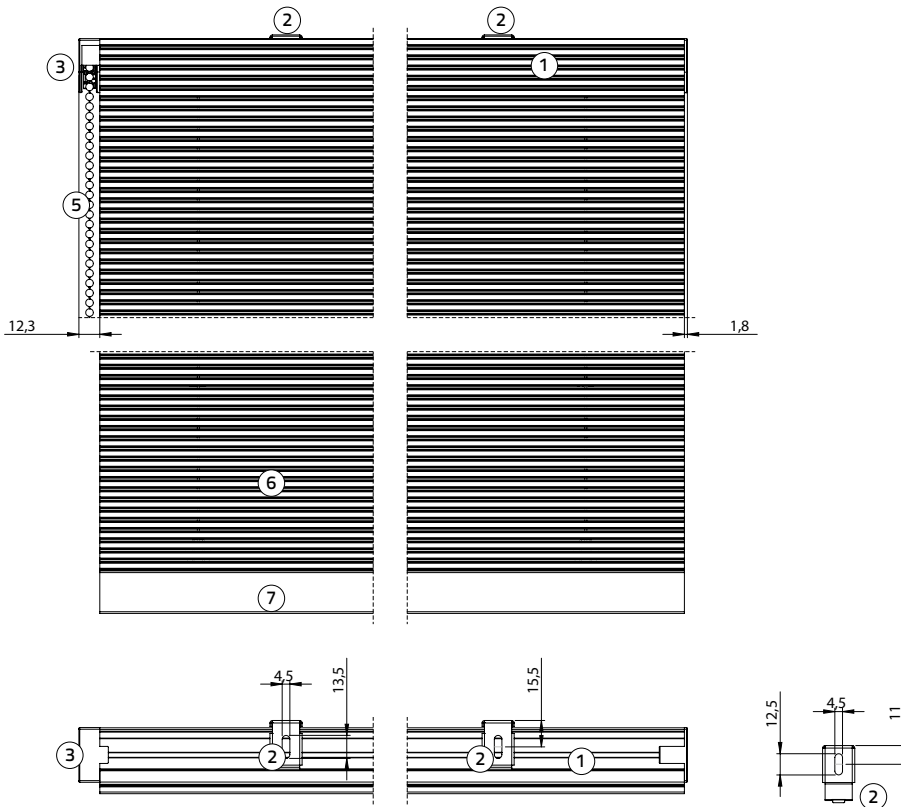
Width 15 mm, height 25 mm

Product dimensions

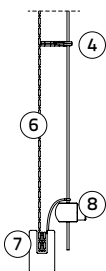
Min. width 60 cm
 Max. width 240 cm
 Min. height 80 cm
 Max. height 300 cm
 Max. m² see price list

Roman Shade Ultra System

endless chain

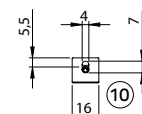
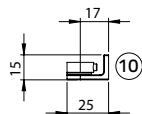
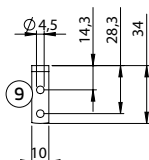
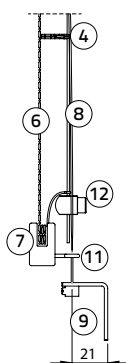
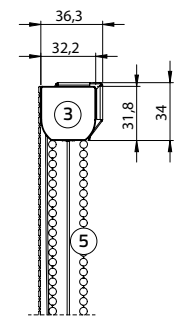
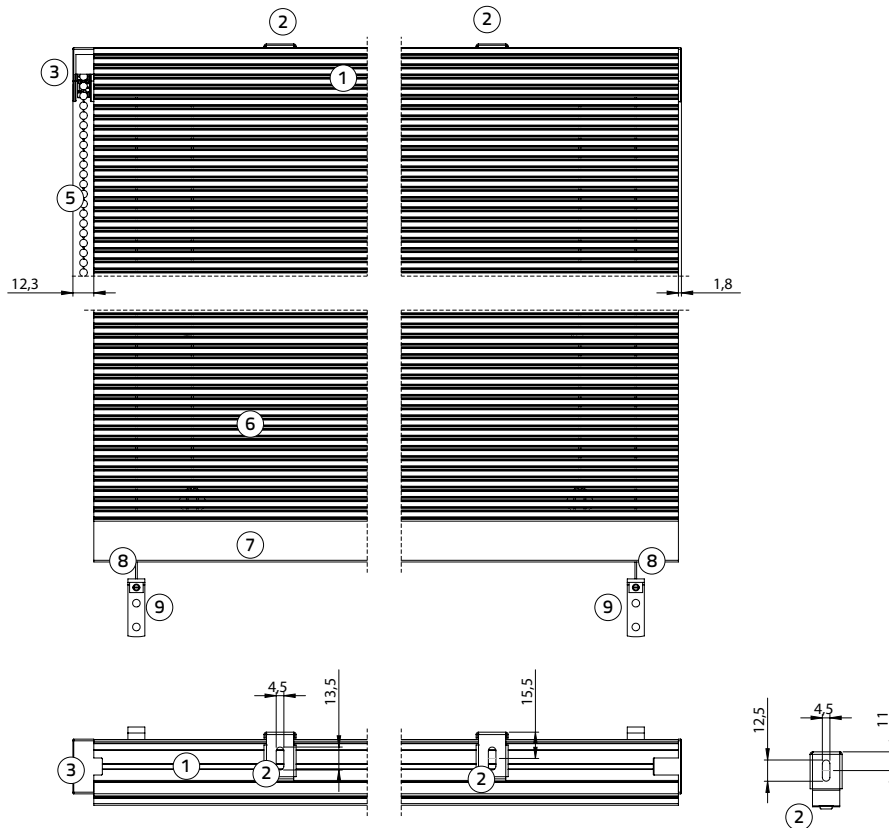


- ① Head rail
- ② Bracket
- ③ Mechanism
- ④ Guiding ring
- ⑤ Endless chain
- ⑥ Material
- ⑦ Bottom rail
- ⑧ Child safety button



Roman Shade Ultra System

endless chain, side cables

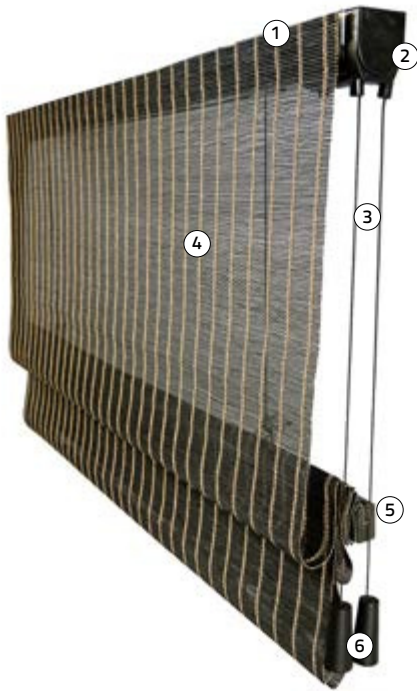


- ① Head rail
- ② Bracket
- ③ Mechanism
- ④ Guiding ring
- ⑤ Endless chain
- ⑥ Material
- ⑦ Bottom rail
- ⑧ Side cable
- ⑨ Fastening bracket big (side cable)
- ⑩ Fastening bracket small (side cable)
- ⑪ Eyelet for side cable
- ⑫ Child safety button

ND
SUBLIME
collection

Roman Shade Ultra System

double cord



- ① Head rail
- ② Double cord mechanism
- ③ Double cord
- ④ Material
- ⑤ Bottom rail
- ⑥ Tassel

Price list

Page 46 - 48

Collection book

Woven Bamboo Thin Sticks (S140-S165BB)
 Woven Bamboo Flat Sticks (S184-S206BB)
 Natural Fabrics (S225-S243, S249-S266)

Description

Aluminium head rail painted in black or white (custom colors not possible); mounting of the material with velcro tape; color of the wooden bottom rail and standard wooden tassels as material or similar; colors of the material and combinations see collection books and design overviews; rods and lining fabrics see design overviews; color of lift cords similar of the material see sample card PULLING CORDS 5; mechanism double cord (black or white); colors double cords see sample cards PULLING CORDS 5; tassels (wood, metal or glass-crystal (surcharge)) and cord cleat see sample card CHAINS & TASSELS.

Material

Woven bamboo or natural fabrics
 see collection books and design overviews:
 Woven Bamboo Thin Sticks, Woven Bamboo
 Flat Sticks, Natural Fabrics

Operating

Operating with free hanging double cord,
 Cord length up to your choice,
 No need of child safety tassel

Additions (surcharge see price list)

- Side cables in silver, white and black, for on de wall and on the ceiling
- Custom colors for woven bamboo and bottom rail
- Lining (adhesive) semi-transparent or dimout for Woven Bamboo (Flat Sticks only)
- Lining (sewn on) semi-transparent or blackout for Natural Fabrics (see design overview)
- Rods (see design overview)
- Glass-crystal-tassels

Mounting

Universal-brackets for wall and ceiling

Head rail size incl. bracket

Width 36,5 mm, height 34 mm

Head rail size incl. bracket, material and bottom rail

Width 38 mm, height 250 mm

Bottom rail size:

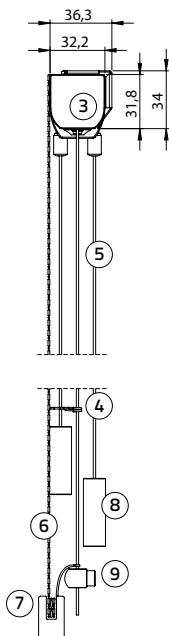
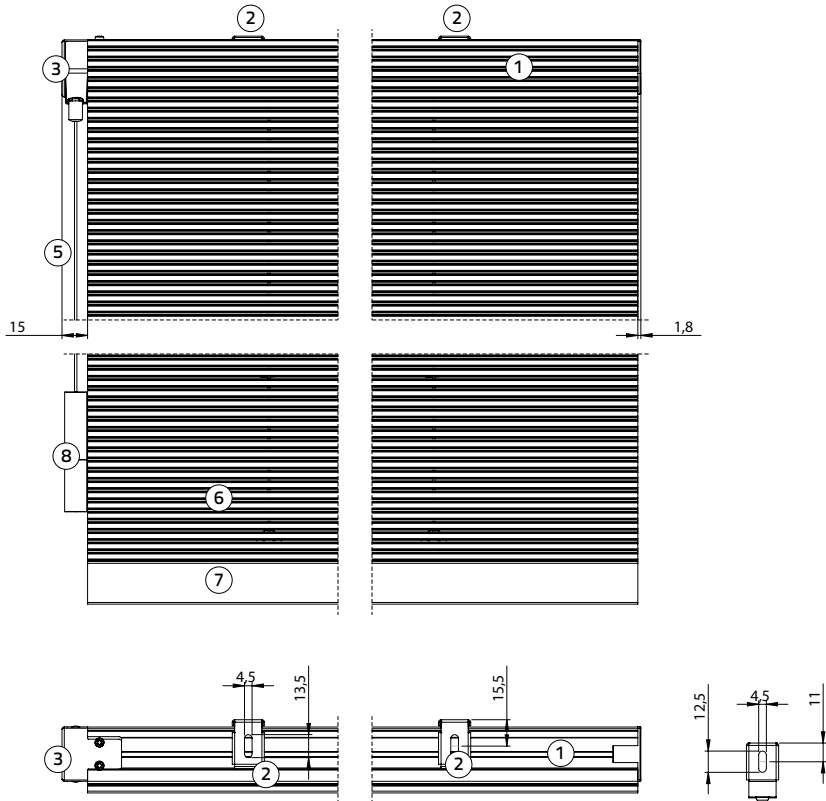
Width 15 mm, height 25 mm

Product dimensions

Min. width 60 cm
 Max. width 240 cm
 Min. height 80 cm
 Max. height 300 cm
 Max. m² see price list

Roman Shade Ultra System

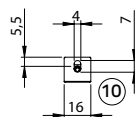
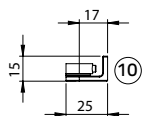
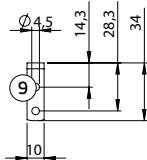
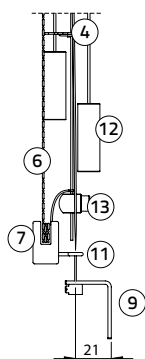
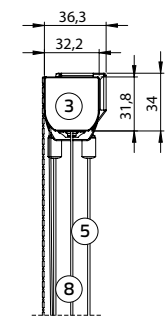
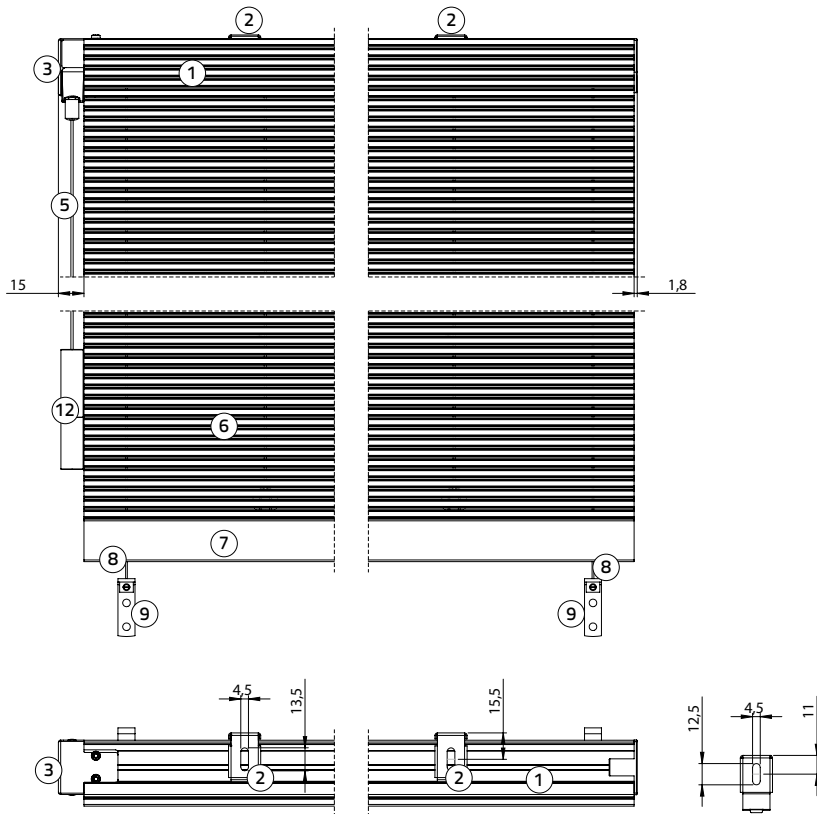
double cord



- ① Head rail
- ② Bracket
- ③ Double cord mechanism
- ④ Guiding ring
- ⑤ Double cord
- ⑥ Material
- ⑦ Bottom rail
- ⑧ Tassels
- ⑨ Child safety button

Roman Shade Ultra System

double cord, side cables

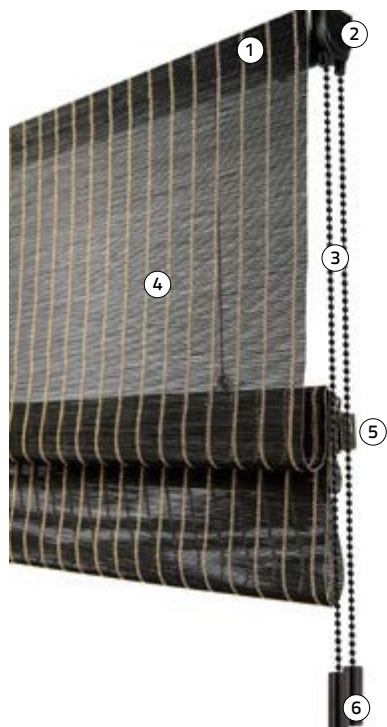


- ① Head rail
- ② Bracket
- ③ Double cord mechanism
- ④ Guiding ring
- ⑤ Double cord
- ⑥ Material
- ⑦ Bottom rail
- ⑧ Side cable
- ⑨ Fastening bracket big (side cable)
- ⑩ Fastening bracket small (side cable)
- ⑪ Eyelet for side cable
- ⑫ Tassels
- ⑬ Child safety button

ND
SUBLIME
collection

Roman shade Ultra System

double chain



- ① Head rail
- ② Double chain mechanism
- ③ Double chain
- ④ Material
- ⑤ Bottom rail
- ⑥ Tassel

Price list

Page 46 - 48

Collection book

Woven Bamboo Thin Sticks (S140-S165BB)

Woven Bamboo Flat Sticks (S184-S206BB)

Natural Fabrics (S225-S243, S249-S266)

Description

Aluminium head rail painted in black or white (custom colors not possible); mounting of the material with velcro tape; color of the wooden bottom rail as material or similar; colors of the material and combinations see collection books and design overviews; rods and lining fabrics see design overviews; color of lift cords similar of the material see sample card PULLING CORDS 5; pvc mechanism double chain (black or white); colors of metal double chain see sample cards CHAINS & TASSELS; standard metal tassels; tassels (wood, metal or glass-crystal (surcharge)) and cord cleat see sample card CHAINS & TASSELS; rods and lining fabrics see design overviews.

Material

Woven bamboo or natural fabrics see collection books and design overviews;
Woven Bamboo Thin Sticks, Woven Bamboo Flat Sticks, Natural Fabrics

Operating

Operating with free hanging double chain,
Chain length up to your choice,
No need of child safety tassel

Additions (surcharge see price list)

- Side cables in silver, white and black, for on de wall and on the ceiling
- Custom colors for woven bamboo and bottom rail
- Lining (adhesive) semi-transparent or dimout for Woven Bamboo (Flat Sticks only)
- Lining (sewn on) semi-transparent or blackout for Natural Fabrics (see design overview)
- Rods (see design overview)
- Glass-crystal-tassels

Mounting

Universal-brackets for wall and ceiling

Head rail size incl. bracket

Width 36,5 mm, height 34 mm

Head rail size incl. bracket, material and bottom rail

Width 38 mm, height 250 mm

Bottom rail size:

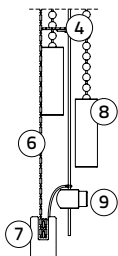
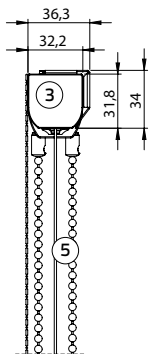
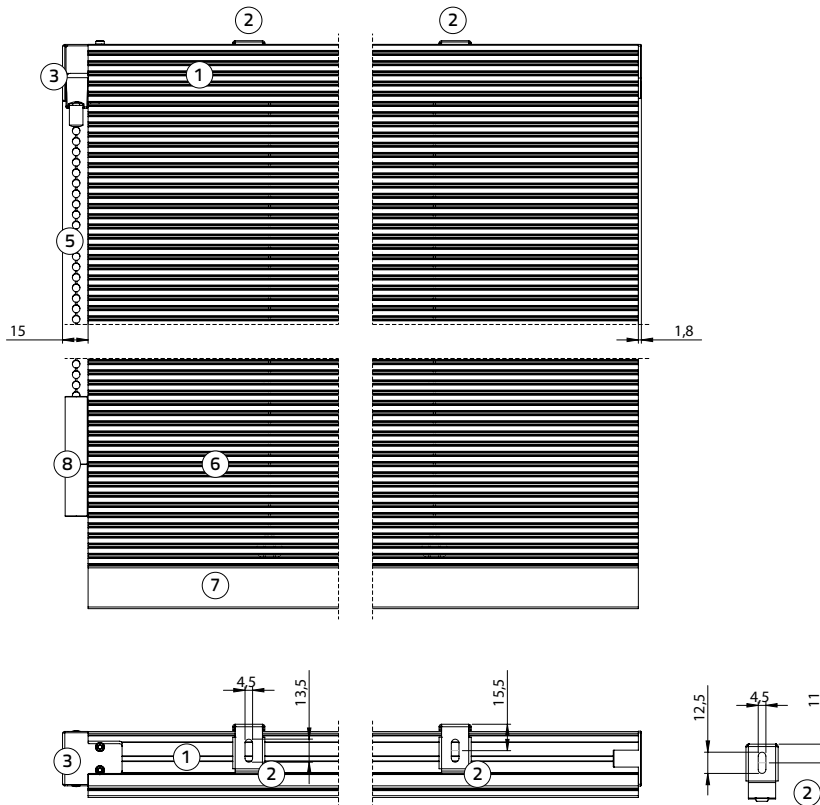
Width 15 mm, height 25 mm

Product dimensions

Min. width 60 cm
Max. width 240 cm
Min. height 80 cm
Max. height 300 cm
Max. m² see price list

Roman Shade Ultra System

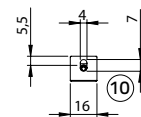
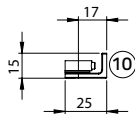
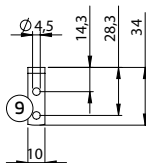
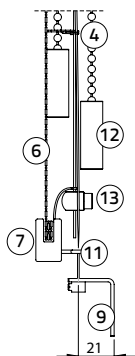
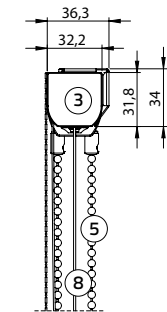
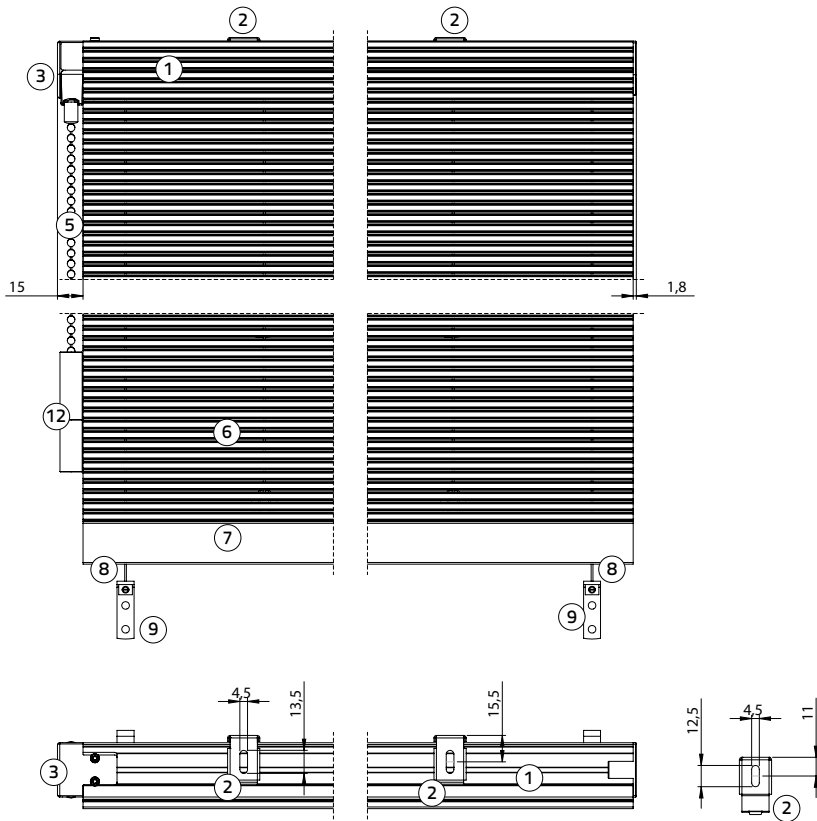
double chain



- ① Head rail
- ② Bracket
- ③ Double chain mechanism
- ④ Guiding ring
- ⑤ Double chain
- ⑥ Material
- ⑦ Bottom rail
- ⑧ Tassels
- ⑨ Child safety button

Roman Shade Ultra System

double chain, side cables

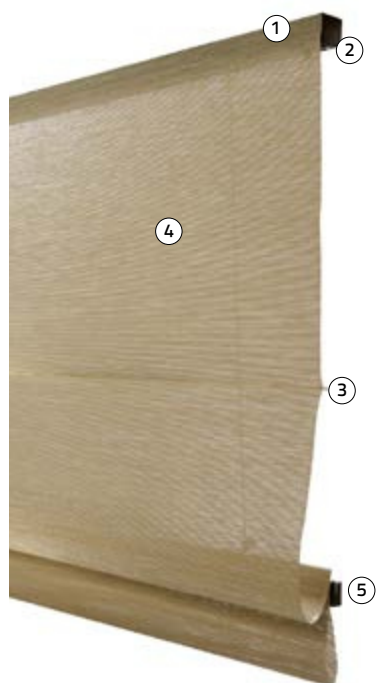


- ① Head rail
- ② Bracket
- ③ Double chain mechanism
- ④ Guiding ring
- ⑤ Double chain
- ⑥ Material
- ⑦ Bottom rail
- ⑧ Side cable
- ⑨ Fastening bracket big (side cable)
- ⑩ Fastening bracket small (side cable)
- ⑪ Eyelet for side cable
- ⑫ Tassels
- ⑬ Child safety button

ND
SUBLIME
collection

Roman Shade Ultra System

Motion Battery



- ① Head rail
- ② USB-C port with LED
- ③ Rod
- ④ Material
- ⑤ Bottom rail

Price list

Page 50 - 52

Collection book

Woven Bamboo Thin Sticks (S140-S165/S147)
Woven Bamboo Flat Sticks (S184-S206/S188)
Natural Fabrics (S225-S248, S257-S259)

Description

Aluminium head rail painted in black or white (custom colors not possible); mounting of the material with velcro tape; color wooden bottom rail as material or similar; colors of the material and combinations see collection books and design overviews; rods and lining fabrics see design overviews; color of lift cords similar the material, colors see sample card PULLING CORDS 5; battery motor and battery pack inside the head rail, USB-C port for charging with LED; operating with remote control or app, Smarthome capable; manual see the MotionBlinds brochure.

Material

Woven bamboo or natural fabrics
see collection books and design overviews:
Woven Bamboo Thin Sticks, Woven Bamboo
Flat Sticks, Natural Fabrics

Operating (see the MotionBlinds brochure)

With remote control or app,
Smarthome capable with Bluetooth

Additions (surcharge see price list)

- Side cables in silver, white and black, for on de wall and on the ceiling
- Custom colors for woven bamboo and bottom rail
- Lining (adhesive) semi-transparent or dimout for Woven Bamboo (Flat Sticks only)
- Lining (sewn on) semi-transparent or blackout for Natural Fabrics (see design overview)
- Rods (see design overview)
- Remote controls
- USB-C recharge kit: USB-C power adapter (EU) + 3 meter USB-C cable

Mounting

Universal-brackets for wall and ceiling

Head rail size incl. bracket

Width 36,5 mm, height 34 mm

Head rail size incl. bracket, material and bottom rail

Width 38 mm, height 250 mm

Bottom rail size:

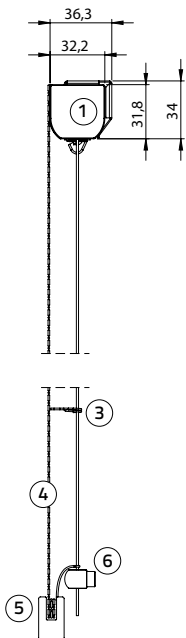
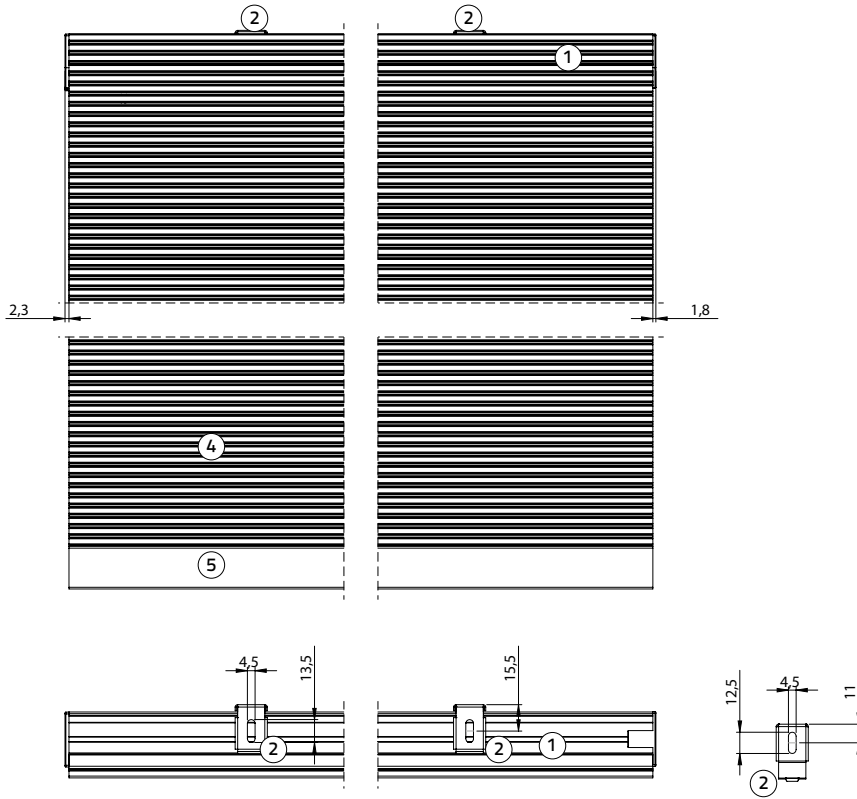
Width 15 mm, height 25 mm

Product dimensions

Min. width 80 cm
Max. width 200 cm
Min. height 80 cm
Max. height 200 cm
Max. m² see price list

Roman Shade Ultra System

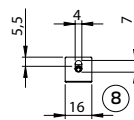
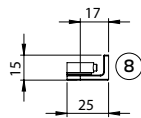
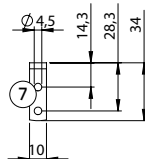
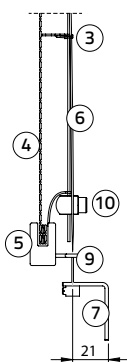
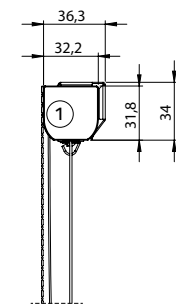
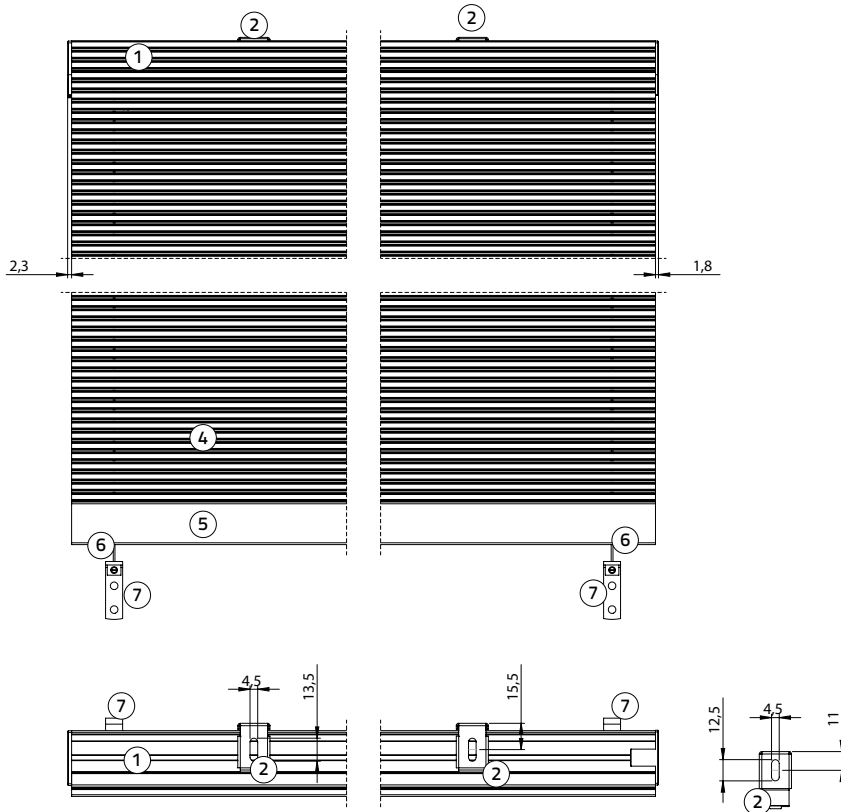
Motion Battery



- ① Head rail
- ② Bracket
- ③ Guiding ring
- ④ Material
- ⑤ Bottom rail
- ⑥ Child safety button

Roman Shade Ultra System

Motion Battery, side cables

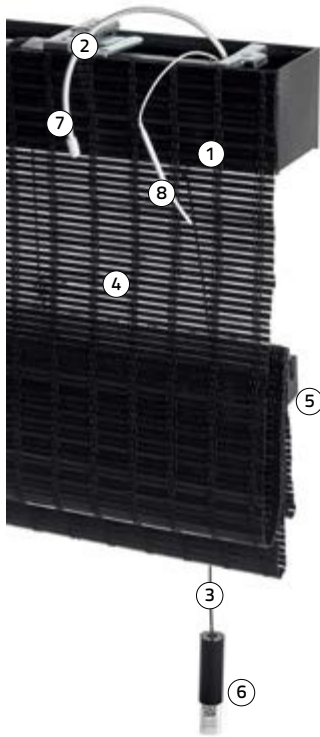


- ① Head rail
- ② Bracket
- ③ Guiding ring
- ④ Material
- ⑤ Bottom rail
- ⑥ Side cable
- ⑦ Fastening bracket big (side cable)
- ⑧ Fastening bracket small (side cable)
- ⑨ Eyelet for side cable
- ⑩ Child safety button

ND
SUBLIME
collection

Roman shade Solid System

Motion Battery



- ① Head rail
- ② Bracket
- ③ Motor cord
- ④ Material
- ⑤ Bottom rail
- ⑥ Tassel with QR-code
- ⑦ Radio antenna
- ⑧ Bluetooth antenna

Price list

Page 54 - 56

Collection book

Woven Bamboo Thin Sticks (S140-S165/S147)
Woven Bamboo Flat Sticks (S184-S206/S188)
Natural Fabrics (S225-S248, S257-S259)

Description

Aluminium head rail, color as material or similar, mounting of the material with velcro tape; wooden bottom rail in the color of the material or similar; colors of the material and combinations see collection books and design overviews; rods and lining fabrics see design overviews; color of lift and motor cord similar the material, colors see sample card PULLING CORDS 5; operating with motor cord at the front- or backside, small metal eyelet (color of the material or similar) for the motor cord at the frontside; operation with remote control or app; rechargeable battery, USB-C port for charging with LED; tassel from pvc with QR-code see sample cards CHAINS & TASSELS; manual battery motor see the MotionBlinds brochure.

Material

Woven bamboo or natural fabrics
see collection books and design overviews:
Woven Bamboo Thin Sticks, Woven Bamboo
Flat Sticks, Natural Fabrics

Operating (see the MotionBlinds brochure)

Coulisse CM-06:

with motor cord at the frontside or behind the roman shade, remote control or app, **Smarthome capable with Bluetooth**

Coulisse CM-06-E-R (EVE):

with motor cord at the frontside or behind the roman shade, remote control or app, **Smarthome capable with Thread and Matter (available from July 2024)**

no need for child safety tassel

Mounting

Universal-brackets for wall and ceiling

Bottom rail size:

Width 15 mm, height 25 mm

Head rail size incl. bracket

Width 70,9 mm, height 62,9 mm

Head rail size incl. bracket, material and bottom rail

Width 72,4 mm, height 250 mm

Product dimensions

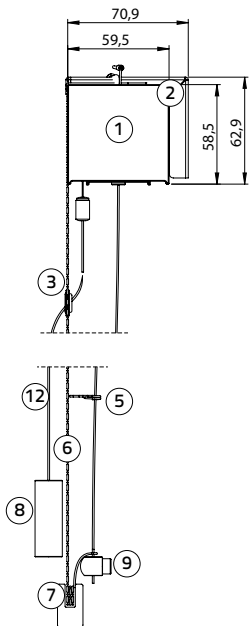
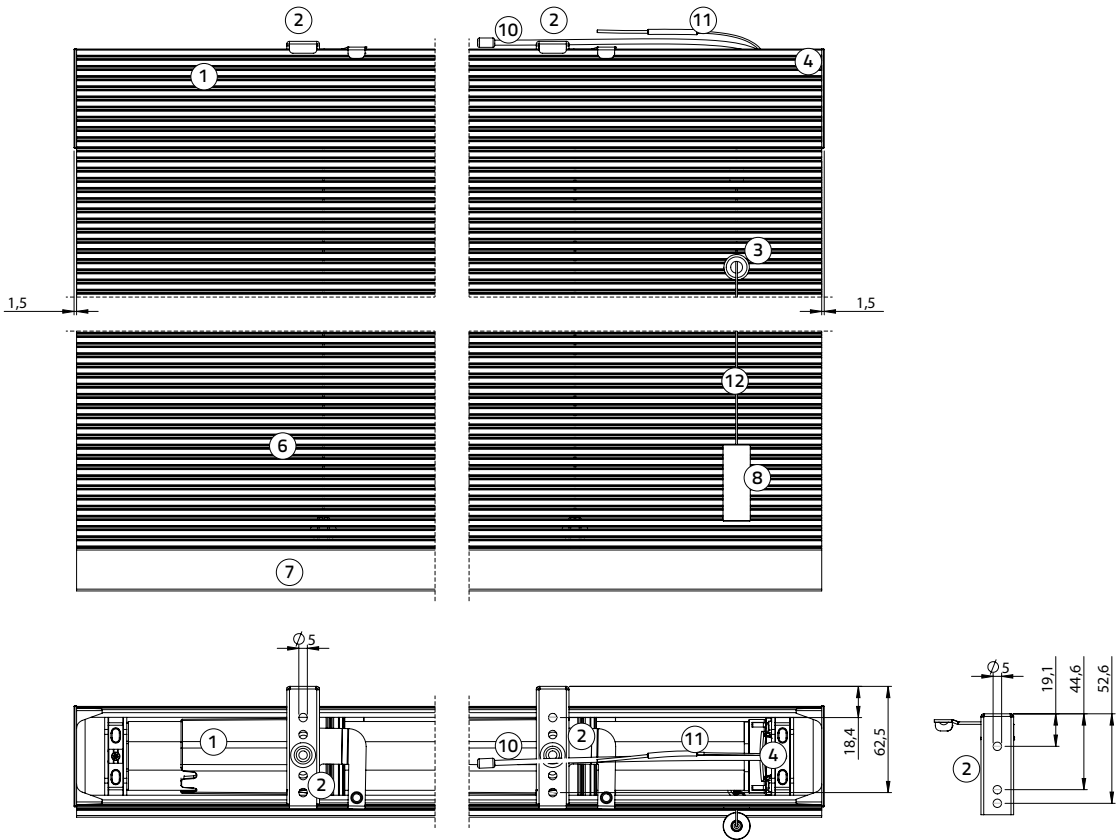
Min. width Coulisse CM-06	80 cm
Min. width Coulisse CM-06-E-R	85 cm
Max. width	240 cm
Min. height	80 cm
Max. height	300 cm
Max. m ²	see price list

Additions (surcharge see price list)

- Side cables in silver, white and black, for on de wall and on the ceiling
- Custom colors for woven bamboo, head rail and bottom rail
- Lining (adhesive) semi-transparent or dimout for Woven Bamboo (Flat Sticks only)
- Lining (sewn on) semi-transparent or blackout for Natural Fabrics (see design overview)
- Rods (see design overview)
- Remote controls
- USB-C recharge kit: USB-C power adapter (EU) + 3 meter USB-C cable

Roman Shade Solid System

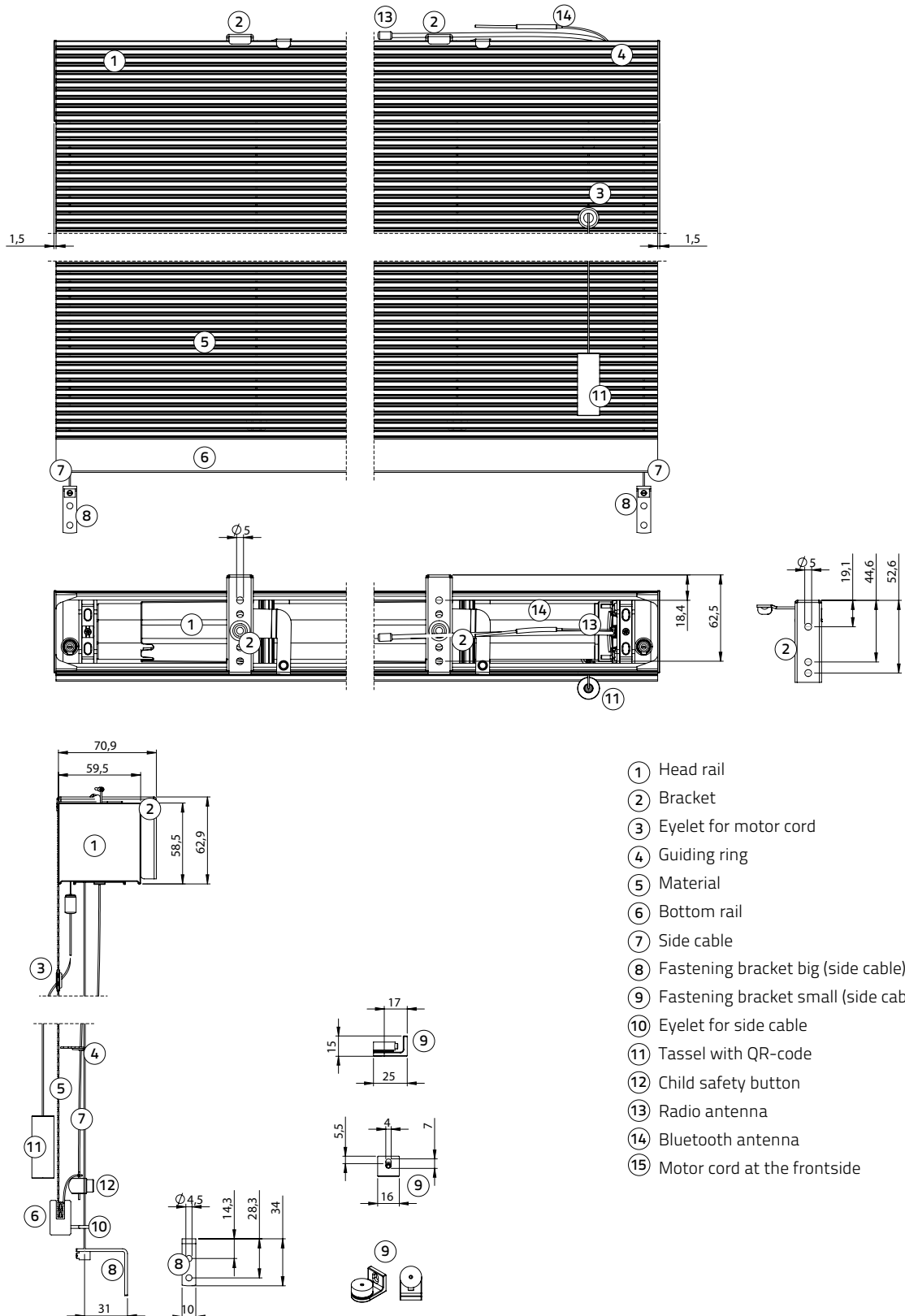
Motion Battery, motor cord frontside



- ① Head rail
- ② Bracket
- ③ Eyelet for motor cord
- ④ Battery motor
- ⑤ Guiding ring
- ⑥ Material
- ⑦ Bottom rail
- ⑧ Tassel with QR-code
- ⑨ Child safety button
- ⑩ Radio antenna
- ⑪ Bluetooth antenna
- ⑫ Motor cord at the frontside

Roman Shade Solid System

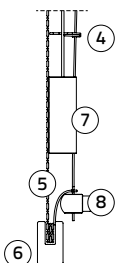
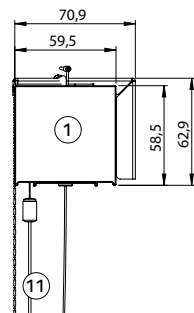
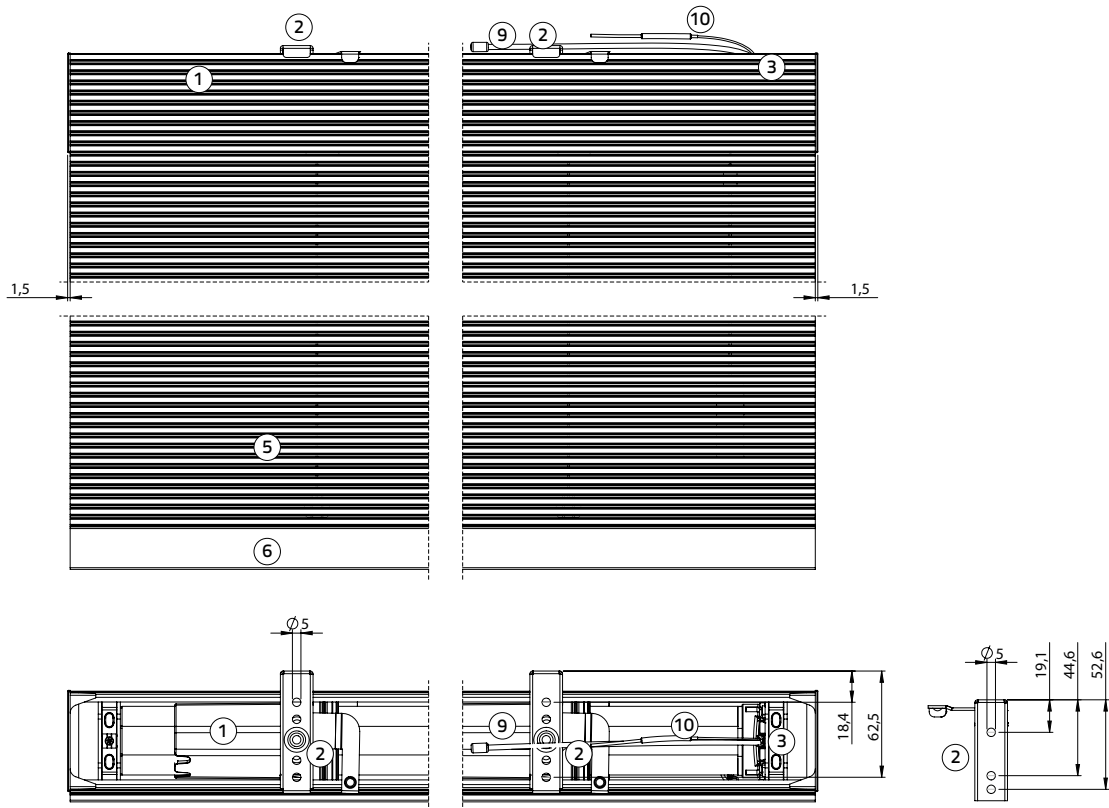
Motion Battery, motor cord frontside,
 side cables



- ① Head rail
- ② Bracket
- ③ Eyelet for motor cord
- ④ Guiding ring
- ⑤ Material
- ⑥ Bottom rail
- ⑦ Side cable
- ⑧ Fastening bracket big (side cable)
- ⑨ Fastening bracket small (side cable)
- ⑩ Eyelet for side cable
- ⑪ Tassel with QR-code
- ⑫ Child safety button
- ⑬ Radio antenna
- ⑭ Bluetooth antenna
- ⑮ Motor cord at the frontside

Roman Shade Solid System

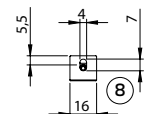
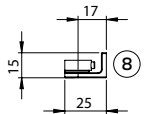
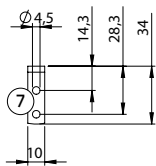
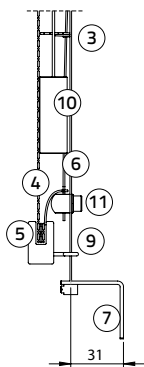
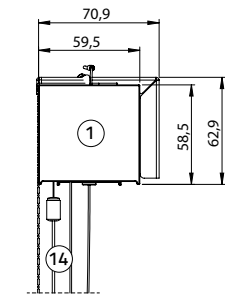
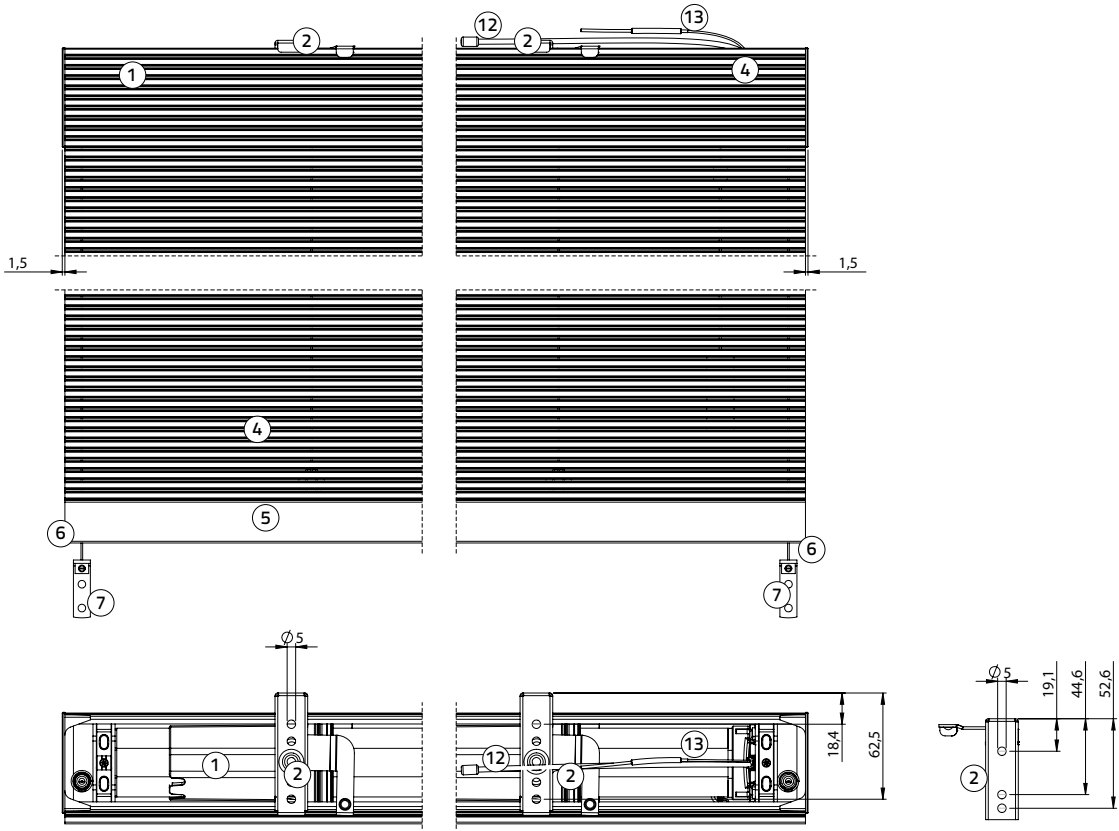
Motion Battery, motor cord backside



- ① Head rail
- ② Bracket
- ③ Battery motor
- ④ Guiding ring
- ⑤ Material
- ⑥ Bottom rail
- ⑦ Tassel with QR-code
- ⑧ Child safety button
- ⑨ Radio antenna
- ⑩ Bluetooth antenna
- ⑪ Motor cord at the backside

Roman Shade Solid System

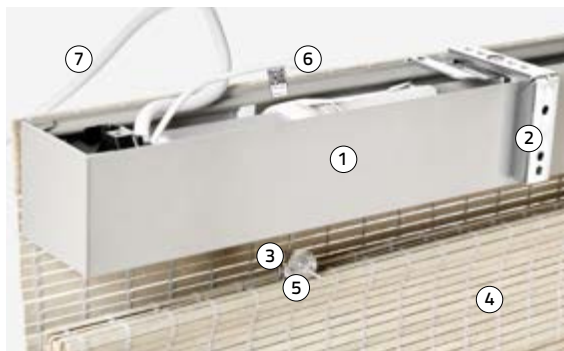
Motion Battery, motor cord backside,
 side cables



- ① Head rail
- ② Bracket
- ③ Guiding ring
- ④ Material
- ⑤ Bottom rail
- ⑥ Side cable
- ⑦ Fastening bracket big (side cable)
- ⑧ Fastening bracket small (side cable)
- ⑨ Eyelet for side cable
- ⑩ Tassel with QR-code
- ⑪ Child safety button
- ⑫ Radio antenna
- ⑬ Bluetooth antenna
- ⑭ Motor cord at the backside

Roman Shade Solid System

Motion 230V



- ① Head rail
- ② Bracket
- ③ Guiding ring
- ④ Material
- ⑤ Child safety button
- ⑥ Antenna with QR-code
- ⑦ Power cable

Price list

Page 58 - 61

Collection book

Woven Bamboo Thin Sticks (S140-S165/S147)

Woven Bamboo Flat Sticks (S184-S206/S188)

Natural Fabrics (S225-S248, S257-S259)

Description

Aluminium head rail, color as material or similar, mounting of the material with velcro tape; wooden bottom rail in the color of the material or similar; colors of the material and combinations see collection books and design overviews; rods and lining fabrics see design overviews; color of lift cord similar the material, colors see sample card PULLING CORDS 5; operating with 230 V motor with remote control or app; manual 230 V motor see the MotionBlinds brochure.

Material

Woven bamboo or natural fabrics
see collection books and design overviews:
Woven Bamboo Thin Sticks, Woven Bamboo
Flat Sticks, Natural Fabrics

Operating (see the MotionBlinds brochure)

Somfy Sonesse 40 RTS & Coulissee CM-09-QC:
Lift with remote control or app,
Smarthome capable with Bluetooth
Somfy Sonesse 40 WT & Coulissee CM-09-QMC:
for switch, **Bus-system capable**

Additions (surcharge see price list)

- Side cables in silver, white and black, for on de wall and on the ceiling
- Custom colors for woven bamboo, head rail and bottom rail
- Lining (adhesive) semi-transparent or dimout for Woven Bamboo (Flat Sticks only)
- Lining (sewn on) semi-transparent or blackout for Natural Fabrics (see design overview)
- Rods (see design overview)
- Remote controls

Mounting

Universal-brackets for wall and ceiling

Head rail size incl. bracket

Width 70,9 mm, height 62,9 mm

Head rail size incl. bracket, material and bottom rail

Width 72,4 mm, height 250 mm

Bottom rail size:

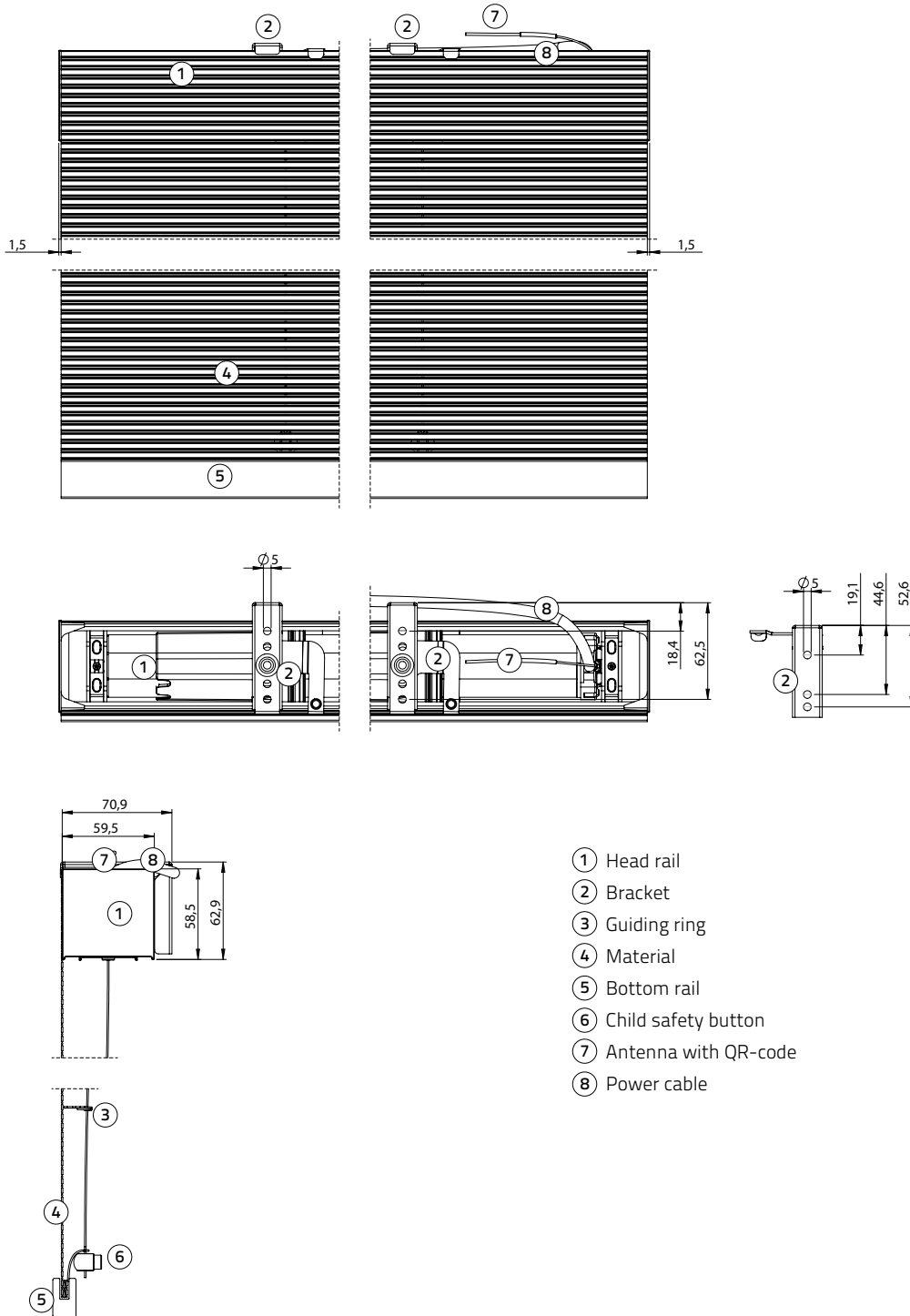
Width 15 mm, height 25 mm

Product dimensions

Min. width Somfy Sonesse 40WT	65 cm
Min. width Somfy Sonesse 40RTS	70 cm
Min. width Coulissee CM-09-QC	80 cm
Min. width Coulissee CM-09-QMC	80 cm
Max. width	see price list
Min. height	40 cm
Max. height	300 cm
Max. m ²	see price list

Roman Shade Solid System

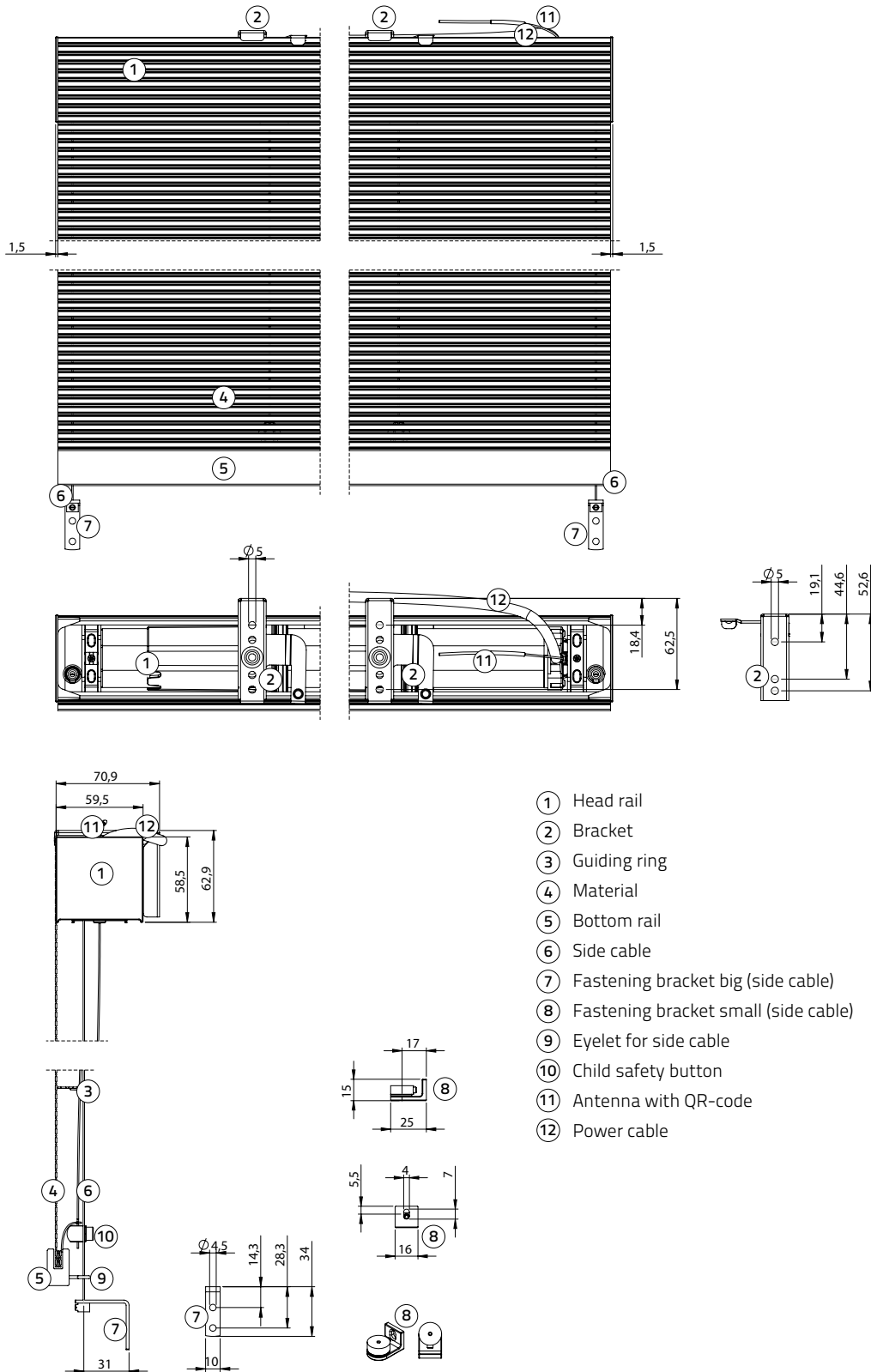
Motion 230V



- ① Head rail
- ② Bracket
- ③ Guiding ring
- ④ Material
- ⑤ Bottom rail
- ⑥ Child safety button
- ⑦ Antenna with QR-code
- ⑧ Power cable

Roman Shade Solid System

Motion 230V, side cables



- ① Head rail
- ② Bracket
- ③ Guiding ring
- ④ Material
- ⑤ Bottom rail
- ⑥ Side cable
- ⑦ Fastening bracket big (side cable)
- ⑧ Fastening bracket small (side cable)
- ⑨ Eyelet for side cable
- ⑩ Child safety button
- ⑪ Antenna with QR-code
- ⑫ Power cable



ROLL UP SOLID SYSTEM MOTION BATTERY, WOVEN BAMBOO THIN STICKS
INTERIOR DESIGN BY THOMAS MANG



ROLL UP

Product Information

Product height in cm	100	140	180	220	260	300
CA. PACKAGE HEIGHT IN CM						
Woven Bamboo Thin Sticks	13	14	15	17	19	21
Woven Bamboo Flat Sticks	13	14	15	17	19	21
Natural Fabrics	15	16	17	18	19	21
NUMBER OF BRACKETS/CORDS						
Product width in cm	< 90	90 - 140	141 - 190	191 - 240		
Brackets	2	3	4	5		
Cords	2	3	4	5		

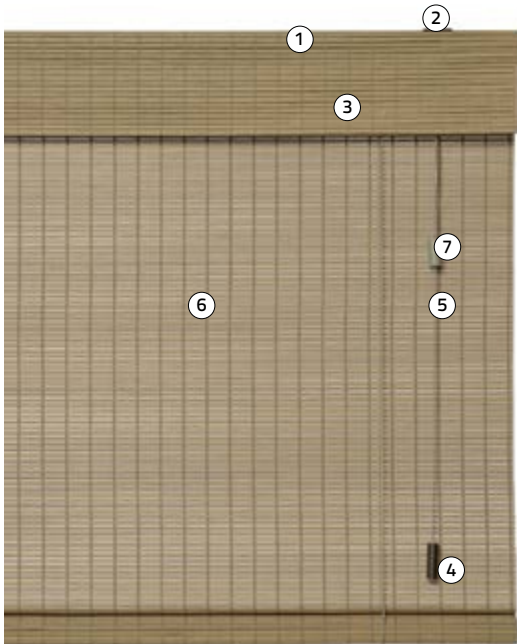
MIN. PRODUCT WIDTH BATTERY MOTORS				
CM-06	80 cm	80 cm	80 cm	80 cm
CM-06-E-R	85 cm	85 cm	85 cm	85 cm
MIN. PRODUCT WIDTH 230 V MOTORS				
CM-09-QC	80 cm	80 cm	80 cm	80 cm
CM-09-QMC	80 cm	80 cm	80 cm	80 cm
Somfy Sonesse 40 RTS	70 cm	70 cm	70 cm	70 cm
Somfy Sonesse 40 WT	65 cm	65 cm	65 cm	65 cm
Max. m ²	see price list	see price list	see price list	see price list
Max. product width	240 cm	240 cm	240 cm	240 cm



ROLL UP SOLID SYSTEM MOTION BATTERY, WOVEN BAMBOO THIN STICKS
INTERIOR DESIGN BY THOMAS MANG

Roll Up English System

pulling cord



- ① Head rail
- ② Bracket
- ③ Valance
- ④ Tassel
- ⑤ Pulling cord
- ⑥ Material
- ⑦ Child safety tassel

Price list

Page 64

Collection book

Woven Bamboo Thin Sticks (S140-S183)

Woven Bamboo Flat Sticks (S184-S224)

Natural Fabrics (S225-S243, S249-S266)

Description

Wooden head rail and bottom rail; child safety tassel made from pvc; standard operating tassel from wood: all colors of before mentioned components are as the material or similar; colors of the material and combinations see collection books and design overviews; color of lift cords similar the material, colors see sample card PULLING CORDS 5, cord rolls and cord lock in white, light grey, bronze or black; tassels (wood, metal or glass-crystal (surcharge)) and cord cleats see sample cards CHAINS & TASSELS; **lining fabric is not possible.**

Material

Woven bamboo or natural fabrics
 see collection books and design overviews:
 Woven Bamboo Thin Sticks, Woven Bamboo
 Flat Sticks, **Natural Fabrics are not possible**

Operating

With pulling/lift cord, locking with cord lock,
 cord length and cord cleat up to your choice

Additions (surcharge see price list)

- Custom colors woven bamboo, head rail,
 child safety tassel, small eyelet for pulling cord,
 wooden tassel and bottom rail
- Glass-crystal-tassel

Mounting

Universal-brackets for wall and ceiling

Head rail size incl. bracket

Width 48,5 mm, height 39,4 mm

Head rail size incl. bracket, material and bottom rail

Packaging height see page 110

Bottom rail size:

Width 15 mm, height 25 mm

Product dimensions

Min. width 60 cm

Max. width 240 cm

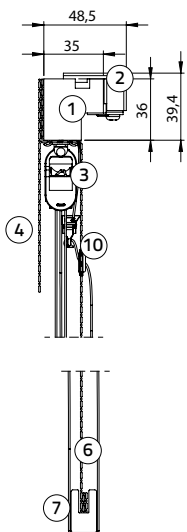
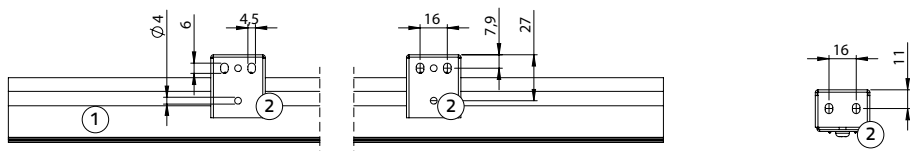
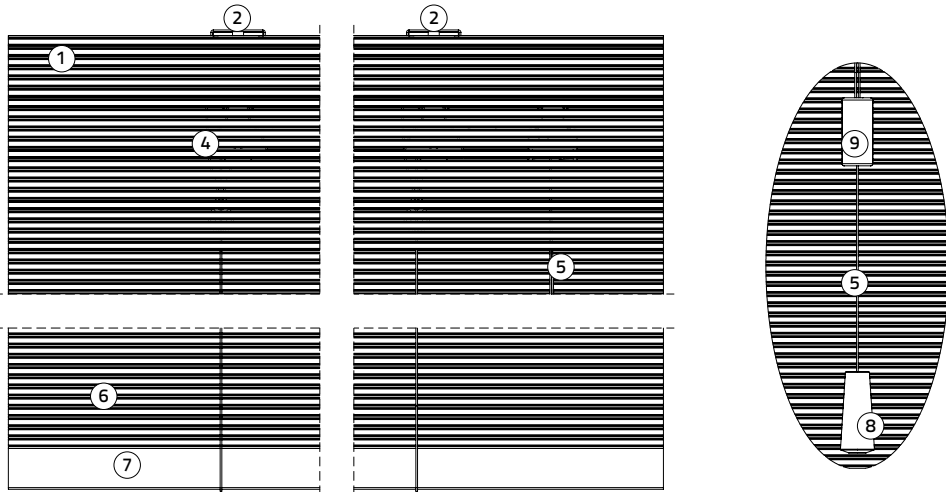
Min. height 80 cm

Max. height 300 cm

Max. m² see price list

Roll Up English System

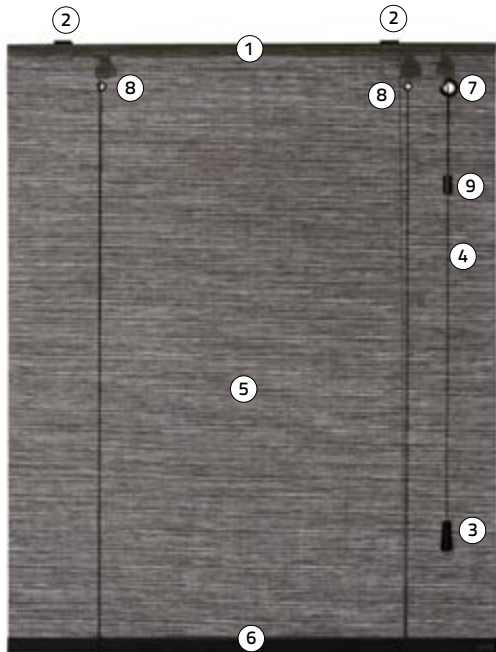
pulling cord



- ① Head rail
- ② Bracket
- ③ Mechanism/cord lock
- ④ Valance
- ⑤ Pulling cord
- ⑥ Material
- ⑦ Bottom rail
- ⑧ Tassel
- ⑨ Child safety tassel
- ⑩ Child safety button

Roll Up Classic System

pulling cord



- ① Head rail
- ② Bracket
- ③ Tassel
- ④ Pulling cord
- ⑤ Material
- ⑥ Bottom rail
- ⑦ Big eyelet for pulling cord
- ⑧ Small eyelet for lift cord
- ⑨ Child safety tassel

Price list

Page 64 - 67

Collection book

Woven Bamboo Thin Sticks (S140-S183)

Woven Bamboo Flat Sticks (S184-S224)

Natural Fabrics (S225-S243, S249-S266)

Description

Wooden head rail and bottom rail; eyelets from metal; child safety tassel made from pvc; standard operating tassel from wood; all colors of before mentioned components are as the material or similar; colors of the material and combinations see collection books and design overviews; color of cords similar the material, colors see sample card PULLING CORDS 5, cord rolls and cord lock in white, light grey, bronze or black; tassels (wood, metal or glass-crystal (surcharge)) and cord cleats see sample cards CHAINS & TASSELS; **lining fabric is not possible.**

Material

Woven bamboo or natural fabrics
see collection books and design overviews:
Woven Bamboo Thin Sticks, Woven Bamboo
Flat Sticks, Natural Fabrics

Operating

With pulling/lift cord, locking with cord lock,
cord length and cord cleat up to your choice

Additions (surcharge see price list)

- Custom colors woven bamboo, head rail, eyelets,
child safety tassel, wooden tassel and bottom rail
- Glass-crystal-tassel

Mounting

Universal-brackets for wall and ceiling

Head rail size incl. bracket

Width 54,1 mm, height 26 mm

Head rail size incl. bracket, material and bottom rail

Packaging height see page 110

Bottom rail size:

Width 15 mm, height 25 mm

Product dimensions

Min. width 60 cm

Max. width 240 cm

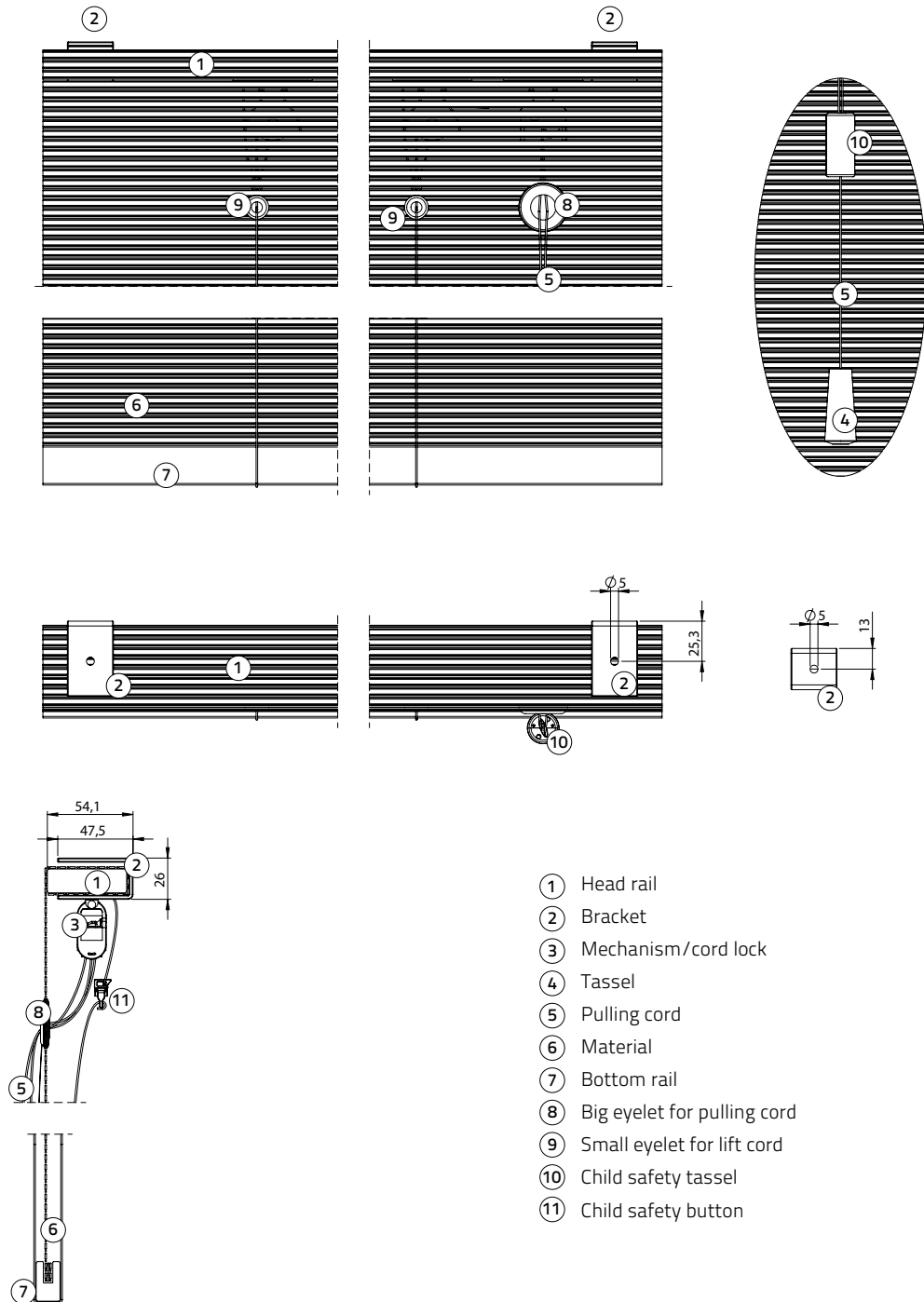
Min. height 80 cm

Max. height 300 cm

Max. m² see price list

Roll Up Classic System

pulling cord

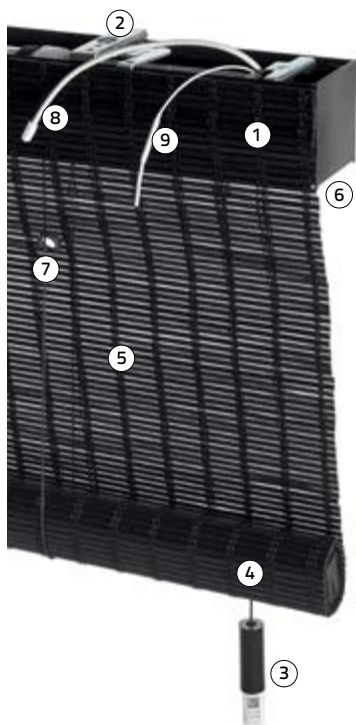


- ① Head rail
- ② Bracket
- ③ Mechanism/cord lock
- ④ Tassel
- ⑤ Pulling cord
- ⑥ Material
- ⑦ Bottom rail
- ⑧ Big eyelet for pulling cord
- ⑨ Small eyelet for lift cord
- ⑩ Child safety tassel
- ⑪ Child safety button

ND
SUBLIME
collection

Roll Up Solid System

Motion Battery



- ① Head rail
- ② Bracket
- ③ Tassel with QR-code
- ④ Motor cord
- ⑤ Material
- ⑥ USB-C port with LED
- ⑦ Eyelet for motor cord
- ⑧ Radio antenna
- ⑨ Bluetooth antenna

Price list

Page 68 - 72

Collection book

Woven Bamboo Thin Sticks (S140-S183)
 Woven Bamboo Flat Sticks (S184-S224)
 Natural Fabrics (S225-S243, S249-S266)

Description

Aluminium head rail, color as material or similar, mounting of the material with velcro tape; wooden bottom rail in the color of the material or similar; colors of the material and combinations see collection books and design overviews; color of lift and motor cord similar the material, colors see sample card PULLING CORDS 5; operating with motor cord at the front- or backside of the material, small metal eyelets (color of the material or similar); also operation with remote control or app possible; rechargeable battery, USB-C port for charging with LED; tassel from pvc with QR-code, colors see sample cards CHAINS & TASSELS; manual of the battery motor see brochure MotionBlinds, **lining fabric is not possible**.

Material

Woven bamboo or natural fabrics
 see collection books and design overviews:
 Woven Bamboo Thin Sticks, Woven Bamboo
 Flat Sticks, Natural Fabrics,
lining fabric is not possible

Operating (see the MotionBlinds brochure)

Coulisse CM-06:
 motor cord with QR-code at the **front- or backside of the material**, remote control or app, **Smarthome capable with Bluetooth**
 Coulisse CM-06-E-R (EVE):
 motor cord with QR-code at the **front- or backside of the material**, remote control or app, **Smarthome capable with Thread and Matter (from July 2024)**
 no need for child safety tassel

Additions (surcharge see price list)

- Custom colors for woven bamboo, head rail, bottom rail and eyelets
- USB-C recharge kit: USB-C power adapter (EU)
 + 3 meter USB-C cable
- remote controls

Mounting

Universal-brackets for wall and ceiling

Head rail size incl. bracket

Width 70,9 mm, height 62,9 mm

Head rail size incl. bracket, material and bottom rail

Packaging height see page 110

Bottom rail size:

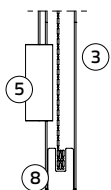
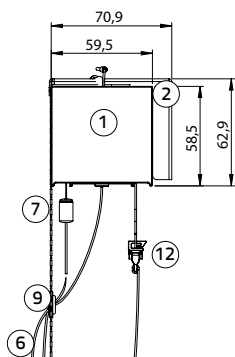
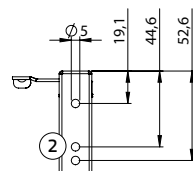
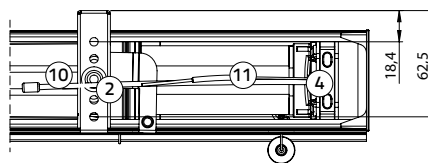
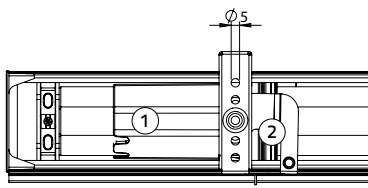
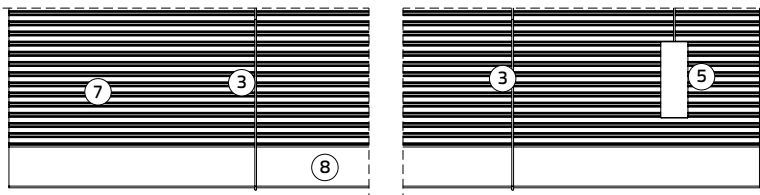
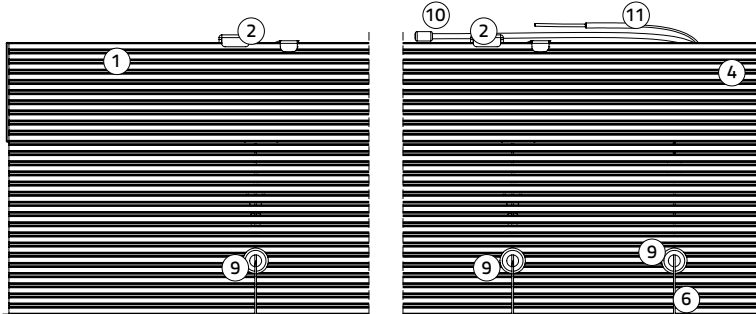
Width 15 mm, height 25 mm

Product dimensions

Min. width Coulisse CM-06	80 cm
Min. width Coulisse CM-06-E-R	85 cm
Max. width	240 cm
Min. height	80 cm
Max. height	300 cm
Max. m ²	see price list

Roll Up Solid System

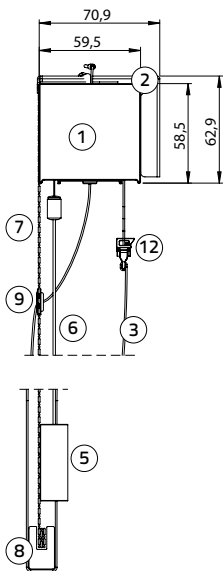
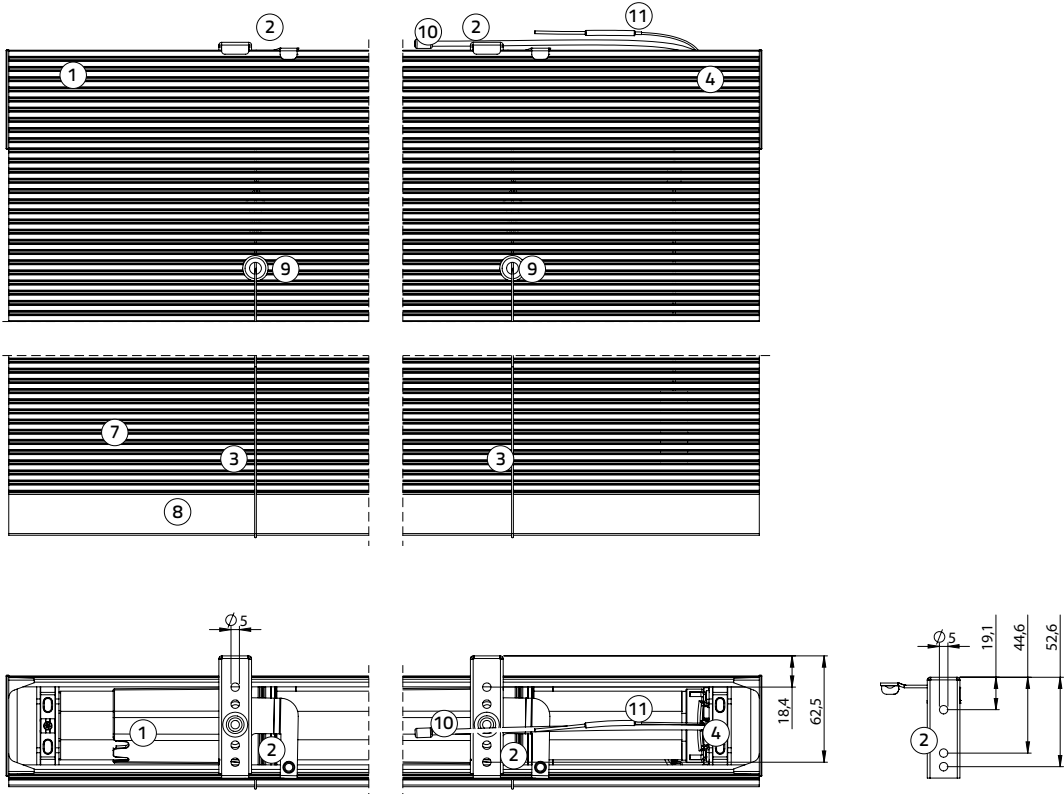
Motion Battery, motor cord frontside



- ① Head rail
- ② Bracket
- ③ Lift cord
- ④ Battery motor
- ⑤ Tassel with QR-code
- ⑥ Motor cord
- ⑦ Material
- ⑧ Bottom rail
- ⑨ Small eyelet
- ⑩ Radio antenna
- ⑪ Bluetooth antenna
- ⑫ Child safety button

Roll Up Solid System

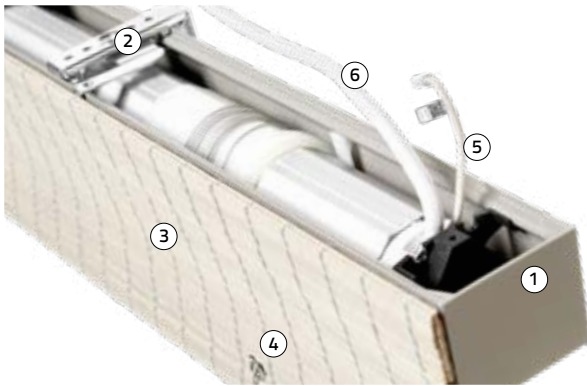
Motion Battery, motor cord backside



- ① Head rail
- ② Bracket
- ③ Lift cord
- ④ Battery motor
- ⑤ Tassel with QR-code
- ⑥ Motor cord
- ⑦ Material
- ⑧ Bottom rail
- ⑨ Small eyelet
- ⑩ Radio antenna
- ⑪ Bluetooth antenna
- ⑫ Child safety button

Roll Up Solid System

Motion 230V



- ① Head rail
- ② Bracket
- ③ Material
- ④ Small eyelet
- ⑤ Antenna with QR-code
- ⑥ Power cable

Price list

Page 73 - 75

Collection book

Woven Bamboo Thin Sticks (S140-S183)
 Woven Bamboo Flat Sticks (S184-S224)
 Natural Fabrics (S225-S243, S249-S266)

Description

Aluminium head rail, color as material or similar, mounting of the material with velcro tape; wooden bottom rail in the color of the material or similar; colors of the material and combinations see collection books and design overviews; color of lift cord similar the material, colors see sample card PULLING CORDS 5; operating with 230 V motor with remote control or app; manual 230 V motor see the MotionBlinds brochure; **lining fabric not possible.**

Material

Woven bamboo or natural fabrics
 see collection books and design overviews:
 Woven Bamboo Thin Sticks, Woven Bamboo
 Flat Sticks, Natural Fabrics,
lining fabric not possible

Operating (see the MotionBlinds brochure)

Somfy Sonesse 40 RTS & Coulissee CM-09-QC:
 Lift with remote control or app, Smarthome capable with
 Bluetooth
 Somfy Sonesse 40 WT & Coulissee CM-09-QMC: for switch,
Bus-system capable

Additions (surcharge see price list)

- Custom colors for woven bamboo, head rail,
 bottom rail and eyelets
- Remote controls

Mounting

Universal-brackets for wall and ceiling

Head rail size incl. bracket

Width 70,9 mm, height 62,9 mm

Head rail size incl. bracket, material and bottom rail

Packaging height see page 110

Bottom rail size:

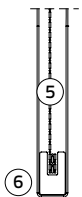
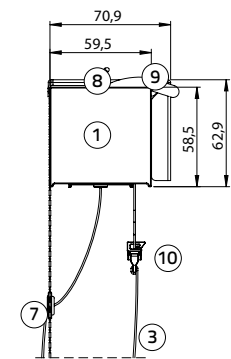
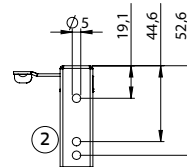
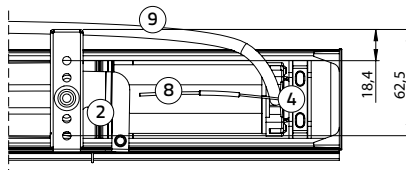
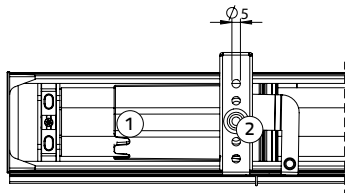
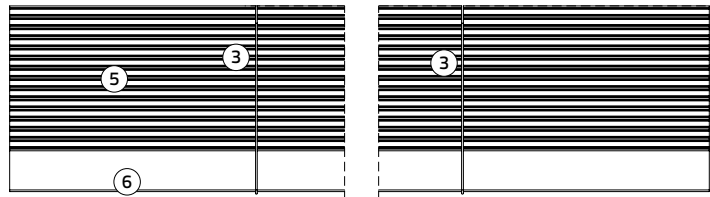
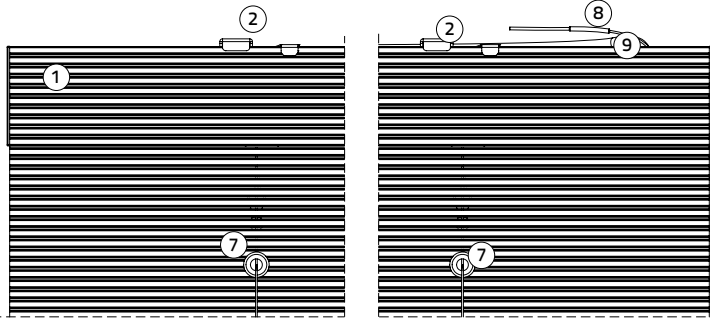
Width 15 mm, height 25 mm

Product dimensions

Min. width Somfy Sonesse 40WT	65 cm
Min. width Somfy Sonesse 40RTS	70 cm
Min. width Coulissee CM-09-QC	80 cm
Min. width Coulissee CM-09-QMC	80 cm
Max. width	see price list
Min. height	40 cm
Max. height	300 cm
Max. m ²	see price list

Roll Up Solid System

Motion 230V



- ① Head rail
- ② Bracket
- ③ Lift cord
- ④ 230 V Motor
- ⑤ Material
- ⑥ Bottom rail
- ⑦ Small eyelet
- ⑧ Bluetooth Antenna
- ⑨ Power cable
- ⑩ Child safety button



VENETIAN BLIND SOLID SYSTEM MOTION 230V, OILED SLATS

INTERIOR DESIGN BY FABERGÉ



VENETIAN BLIND

Product Information

Design	Slat width			manual operating	
	25 mm Max. width	50 mm Max. width	65 mm Max. width	Min. Width	Max. m ²
	PAINTED SLATS				
S001 - S028 (Basswood)	240 cm	300 cm	300 cm	45 cm	see price list
S029 - S056 (Bambus)	180 cm	240 cm	240 cm	45 cm	see price list
S057 - S084 (Abachi)	240 cm	300 cm	300 cm	45 cm	see price list
	OILED SLATS				
S085 - S100 (Basswood)	240 cm	300 cm	300 cm	45 cm	see price list
S101 - S116 (Abachi)	240 cm	300 cm	300 cm	45 cm	see price list
	WRAPPED SLATS				
S117 - S139 (Basswood)	-	300 cm	-	45 cm	see price list
	CUSTOM COLORS				
Basswood	240 cm	300 cm	300 cm	45 cm	see price list
Bambus	180 cm	240 cm	240 cm	45 cm	see price list
Abachi	240 cm	300 cm	300 cm	45 cm	see price list

Min. width operating with motor							
Motion Battery			Motion 230V				Max. m ²
CM-07 incl. CM-38 for 25 mm	CM-06 for 50/ 65 mm	CM-06-E-V for 50/ 65 mm	CM-10-QC for 50 / 65 mm	CM-10-QMC for 50 / 65 mm	Sonesse 40 RTS for 50 / 65 mm	Sonesse 40 WT for 50 / 65 mm	
PAINTED SLATS							
80 cm	80 cm	85 cm	80 cm	80 cm	70 cm	65 cm	see price list
80 cm	80 cm	85 cm	80 cm	80 cm	70 cm	65 cm	see price list
80 cm	80 cm	85 cm	80 cm	80 cm	70 cm	65 cm	see price list
OILED SLATS							
80 cm	80 cm	85 cm	80 cm	80 cm	70 cm	65 cm	see price list
80 cm	80 cm	85 cm	80 cm	80 cm	70 cm	65 cm	see price list
WRAPPED SLATS							
80 cm	80 cm	85 cm	80 cm	80 cm	70 cm	65 cm	see price list
CUSTOM COLORS							
80 cm	80 cm	85 cm	80 cm	80 cm	70 cm	65 cm	see price list
80 cm	80 cm	85 cm	80 cm	80 cm	70 cm	65 cm	see price list
80 cm	80 cm	85 cm	80 cm	80 cm	70 cm	65 cm	see price list

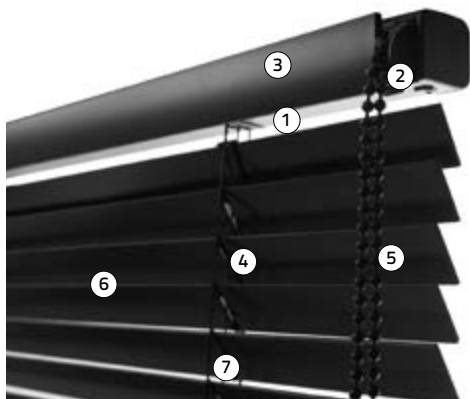
Product height in cm	100	120	140	160	180	200	220	240	260	280	300
PACKAGING HEIGHT IN CM											
50 mm Painted Slats with Ladder cord	16	18	20	21	22	23	26	27	28	29	31
50 mm Painted Slats, Oiled Slats with Ladder tape	20	21	22	24	25	27	30	31	33	34	36
65 mm Painted Slats, Oiled Slats with Ladder cord	15	16	17	18	19	20	21	22	23	25	26
65 mm Painted Slats, Oiled Slats with Ladder tape	17	18	19	20	21	22	24	25	26	28	29
50 mm Wrapped Slats (S128 - S139) with Ladder cord	24	25	28	31	33	36	39	41	43	45	47
50 mm Wrapped Slats (S128 - S139) with Ladder tape	28	28	30	34	36	40	43	45	48	50	52
50 mm Wrapped Slats (S117 - S127) with Ladder cord	23	24	27	30	32	35	38	40	42	44	46
50 mm Wrapped Slats (S117 - S127) with Ladder tape	27	27	29	33	35	39	42	44	47	49	51
NUMBER OF BRACKETS											
Product width in cm	< 80	80 - 140	141 - 190	191 - 230	231 - 300						
Brackets	2	3	4	5	7						
NUMBER OF LADDER CORDS/TAPES											
Product width in cm	< 80	80 - 140	141 - 190	191 - 230	231 - 300						
Basswood / Abachi: Ladder cords/tapes	2	3	4	5	6						
Product width in cm	< 80	80 - 129	130 - 179	180 - 229	230 - 240						
Bamboo / Wrapped Slats: Ladder cords/tapes	2	3	4	5	6						



VENETIAN BLIND SOLID SYSTEM PULLING CORD WRAPPED SLATS
INTERIOR DESIGN BY MARCEL WOLTERINCK

Venetian Blind Small System

25 mm, endless chain



- ① Head rail
- ② Mechanism
- ③ Valance
- ④ Ladder cord
- ⑤ Endless chain
- ⑥ Slats
- ⑦ Lift cord

Collection book

Painted Slats
 Oiled Slats

Price list

Page 80 - 81

Description

Aluminium head rail, color as slats or similar (for oiled slats see design overview), wooden valance color as slats (fastening with velcro tape), valance optional (without surcharge) with retoure but not possible at the side of the mechanism; longer retoure and possible (without surcharge); color of the wooden bottom rail as slats; colors of the slats and combinations see collection books and design overviews; color of the ladder and lift cords similar of the slats see sample cards CORDS & TAPES 1-4 and PULLING CORDS 5; 25mm venetian blind only possible with ladder cord; operating with endless metal chain, colors see sample card CHAINS & TASSELS.

Profile

Head rail without valance: width 30 mm
 (with valance and mechanism 35 mm), height 30 mm
 Bottom rail: width 25 mm, height 15 mm

Slats

Thickness of the slats ca. 3 mm,
 Kind of wood and colors see collection books and design overviews: Painted Slats, Oiled Slats

Operating

Lift or tilt with endless chain, length of your choice

Additions (surcharge see price list)

- Side cables in silver, white and black, for on de wall and on the ceiling
- Custom colors slats, valance/retoure (optional), bottom rail and head rail color as slats or similar for oiled slats

Mounting

Universal-brackets for wall and ceiling

Head rail size incl. bracket

Width 39 mm, height 31 mm

Packaging height see page 126

A notice

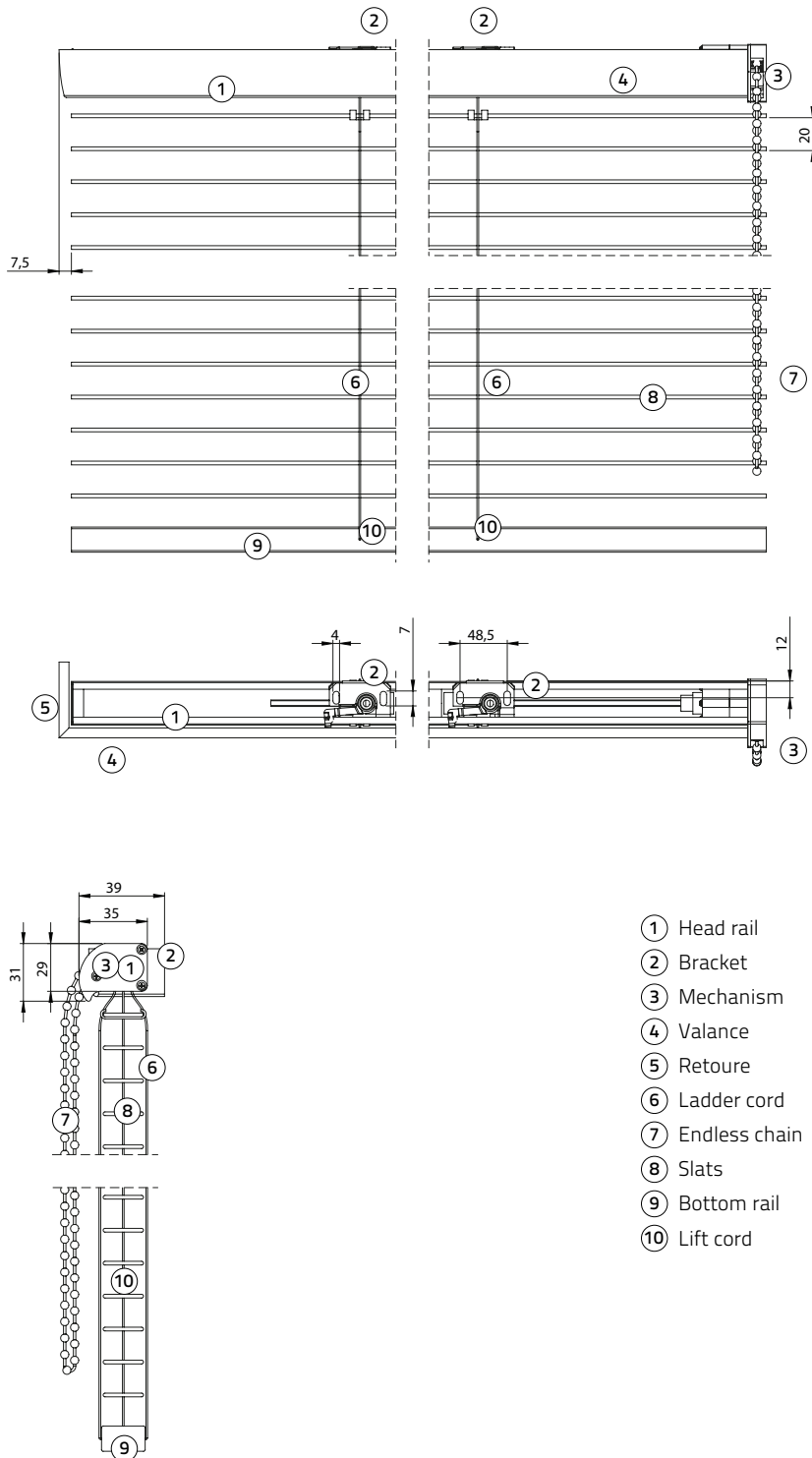
The product height (without brackets) relates to an open blind (open slats). If the slats are closed the blind is longer: ca. 1,5 cm

Product dimensions

Min. width	60 cm
Max. width	see price list
Min. height	40 cm
Max. height	220 cm
Max. m ²	see price list
Max. width Bambus	180 cm
Max. width Lindenwood	240 cm
Max. width Abachiwood	240 cm

Venetian Blind Small System

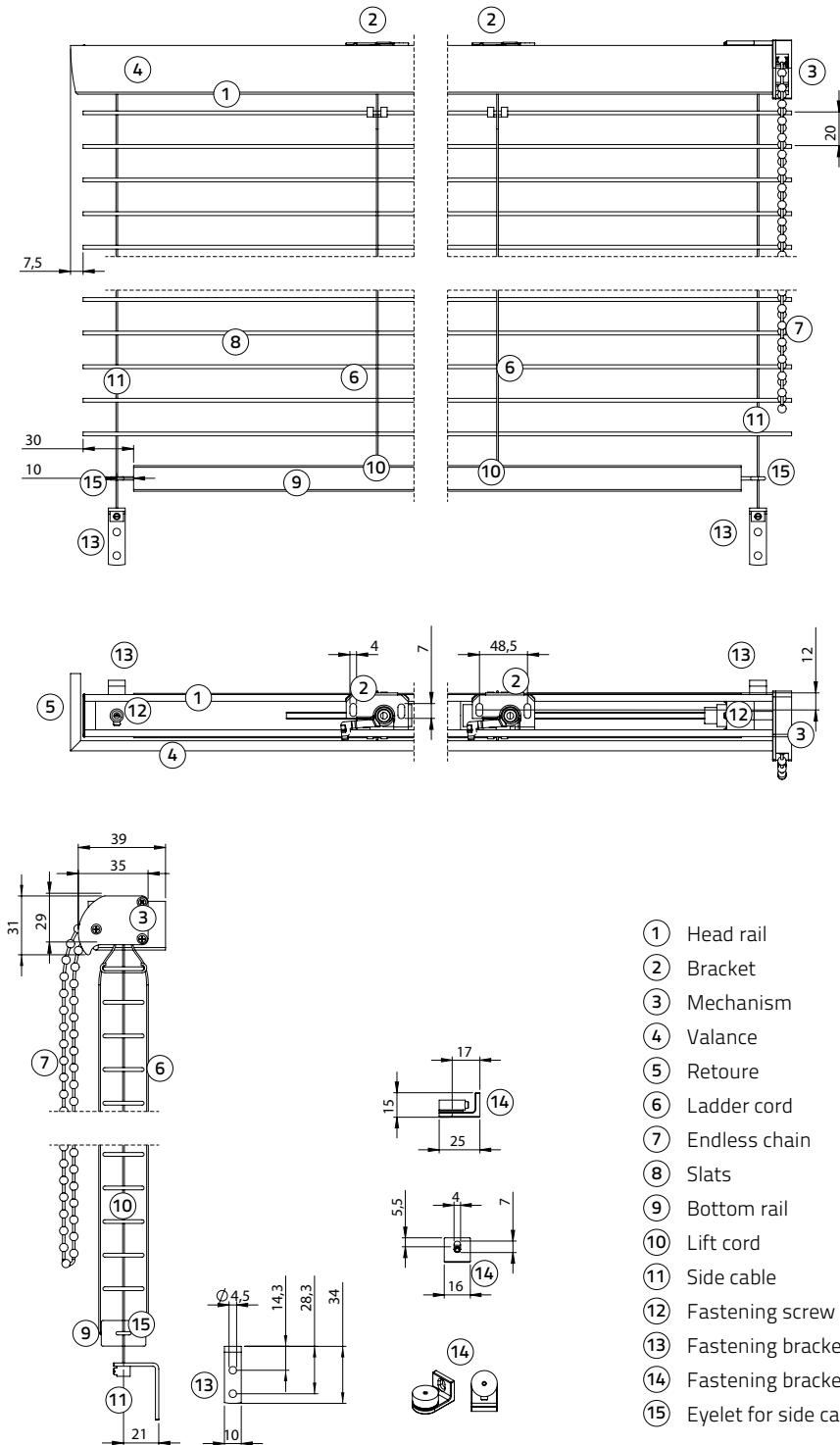
25 mm, Endless chain



- ① Head rail
- ② Bracket
- ③ Mechanism
- ④ Valance
- ⑤ Retoure
- ⑥ Ladder cord
- ⑦ Endless chain
- ⑧ Slats
- ⑨ Bottom rail
- ⑩ Lift cord

Venetian Blind Small System

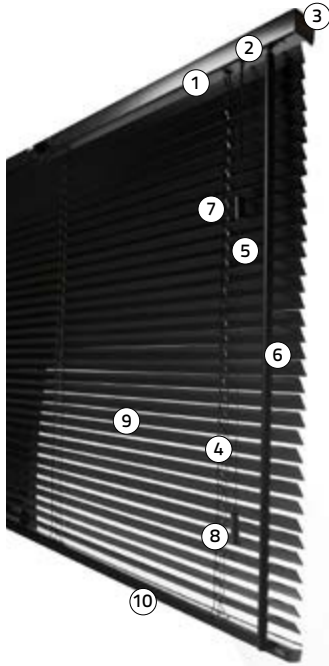
25 mm, endless chain, side cables



ND
SUBLIME
collection

Venetian Blind Small System

25 mm, pulling cord & wand



- ① Head rail
- ② Valance
- ③ Retoures
- ④ Ladder cord
- ⑤ Pulling cord
- ⑥ Wand for tilt
- ⑦ Child safety tassel
- ⑧ Tassel
- ⑨ Slats
- ⑩ Bottom rail

Collection book

Painted Slats
Oiled Slats

Price list

Page 80 - 81

Description

Head rail from steel, color as slats or similar (for oiled slats see design overview); wooden valance color as slats (fastening with magnet), optional with retoures and longer retoures possible (without surcharge); wooden bottom rail, color as slats; colors of the slats and combinations see collection books and design overviews; color of the ladder and lift cords similar of the slats see sample cards CORDS & TAPES 1-4 and PULLING CORDS 5; only possible with ladder cords; child safety tassel made from pvc same color as the slats or similar (for oiled slats), operating tassel from wood (standard), metal or glass-crystal (surcharge) and cord cleats see sample cards CHAINS & TASSELS.

Slats

Thickness of the slats ca. 3 mm,
Kind of wood and colors see collection books and design overviews:
Painted Slats, Oiled Slats

Operating

Lift with cord, tilt with wand,
Length of pulling cord and wand up to your choice,

Additions (surcharge see price list)

- Side cables in silver, white and black, for on de wall and on the ceiling
- Custom colors slats, valance/retoure (optional), bottom rail and head rail color as slats or similar for oiled slats
- Glass-crystal-tassel

Mounting

Universal-brackets for wall and ceiling

Head rail size incl. bracket and valance

Width 46 mm, height 30,9 mm

Packaging height see page 126

A notice

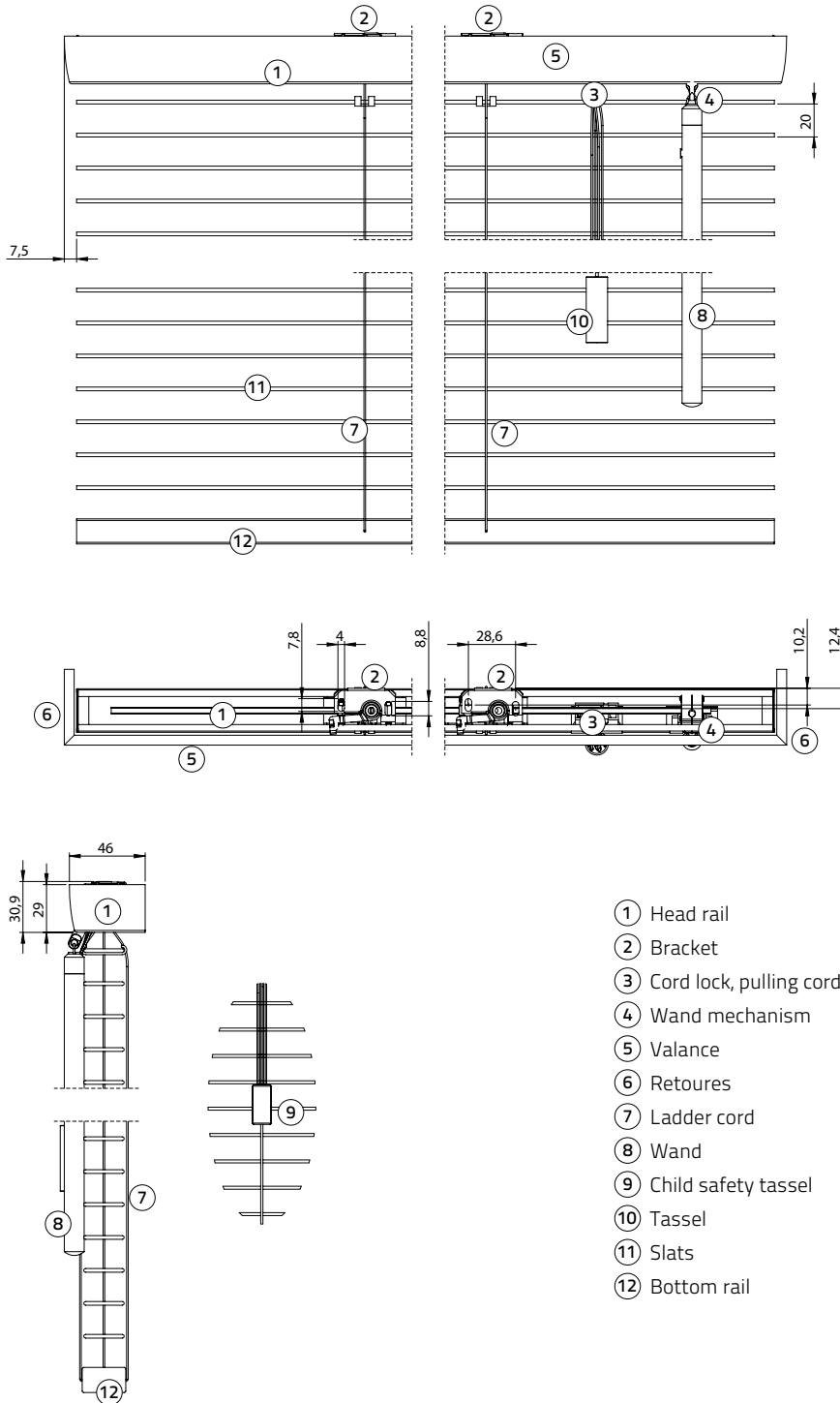
The product height (without brackets) relates to an open blind (open slats). If the slats are closed the blind is longer: ca. 1,5 cm

Product dimensions

Min. width	60 cm
Max. width	see price list
Min. height	40 cm
Max. height	220 cm
Max. m ²	see price list
Max. width Bambus	180 cm
Max. width Lindenwood	240 cm
Max. width Abachiwood	240 cm

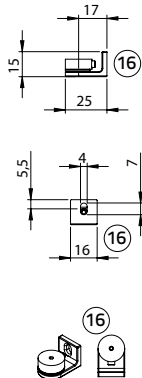
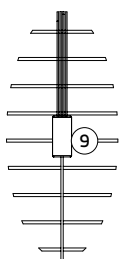
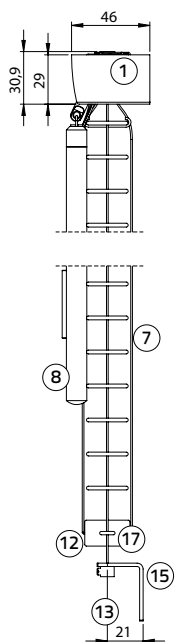
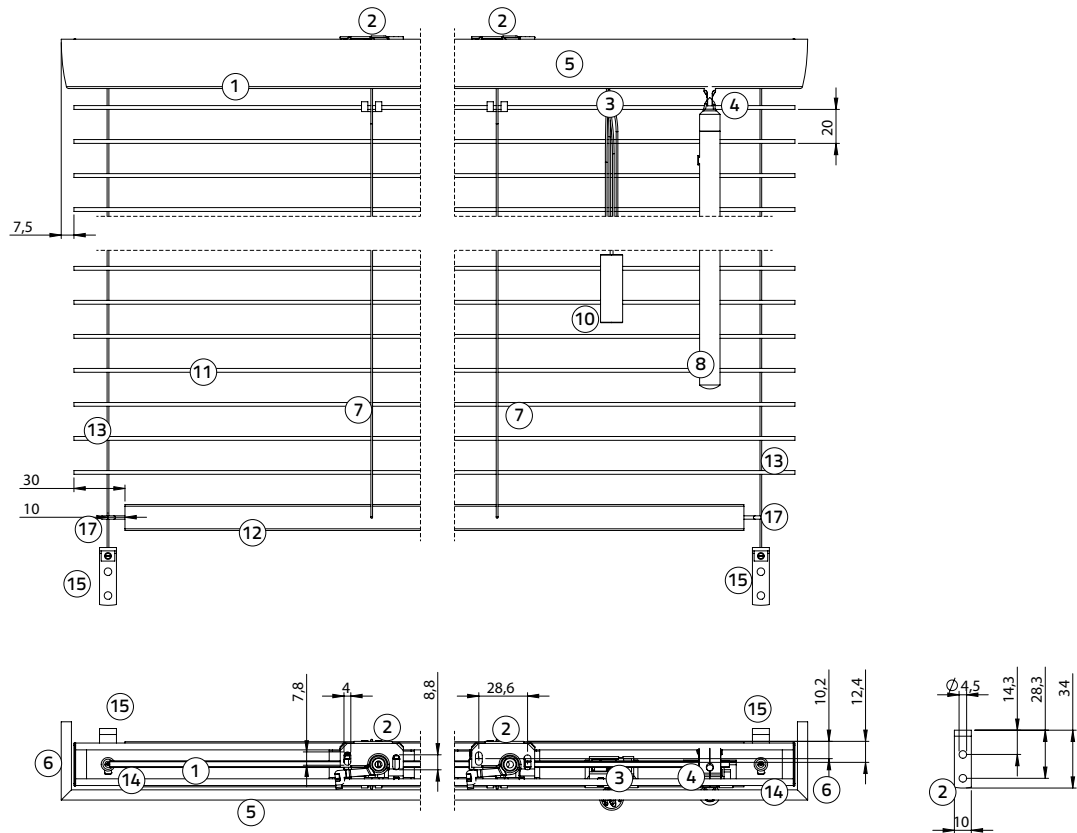
Venetian Blind Small System

25 mm, Pulling cord & Wand



Venetian Blind Small System

25 mm, pulling cord & wand,
 side cables



- ① Head rail
- ② Bracket
- ③ Cord lock, pulling cord
- ④ Wand mechanism
- ⑤ Valance
- ⑥ Retoures
- ⑦ Ladder cord
- ⑧ Wand
- ⑨ Child safety tassel
- ⑩ Tassel
- ⑪ Slats
- ⑫ Bottom rail
- ⑬ Side cable
- ⑭ Fastening screw side cable
- ⑮ Fastening bracket big (side cable)
- ⑯ Fastening bracket small (side cable)
- ⑰ Eyelet for side cable

ND
SUBLIME
collection

Venetian Blind Small System

25 mm, Motion Battery



- ① Head rail
- ② Valance
- ③ Retoures
- ④ Ladder cord
- ⑤ Slats
- ⑥ Bottom rail

Collection book

Painted Slats
Oiled Slats

Price list

Page 82 - 83

Description

Head rail from steel with **inside motor and battery pack**, head rail color as slats or similar (for oiled slats see design overview); wooden valance (optional, because the valance covers the USB-C recharge port), color as slats, fastening with velcro tape, retoures (optional), longer retoures possible (without surcharge); wooden bottom rail color as slats; colors of the slats and combinations see collection books and design overviews; color of the ladder and lift cords similar of the slats see sample cards CORDS & TAPES 1-4 and PULLING CORDS 5; only possible with ladder cord; battery motor and battery pack inside the head rail, USB-C port for charging with LED; operating with remote control or app, Smarthome capable with Bluetooth; manual of the motor see the MotionBlinds brochure.

Slats

Thickness of the slats ca. 3 mm, Kind of wood and colors see collection books and design overviews:
Painted Slats, Oiled Slats

Operating (see Motion Broschüre)

Coulisse Battery motor CM-07 with CM-38 battery pack, Remote control or app,
Smarthome capable with Bluetooth

Additions (surcharge see price list)

- Side cables in silver, white and black, for on de wall and on the ceiling
- Custom colors slats, valance/retoure (optional), bottom rail and head rail color as slats or similar for oiled slats
- USB-C Recharge kit - USB Netzteil (EU)
+ 3 Meter USB Typ C Kabel
- remote controls

Mounting

Universal-brackets for wall and ceiling

Head rail size incl. bracket

Width 28,5 mm, height 26,1 mm

Packaging height see page 126

A notice

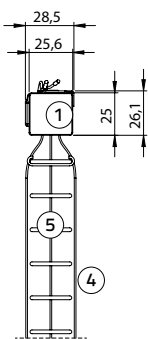
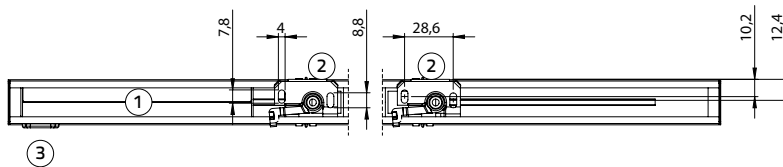
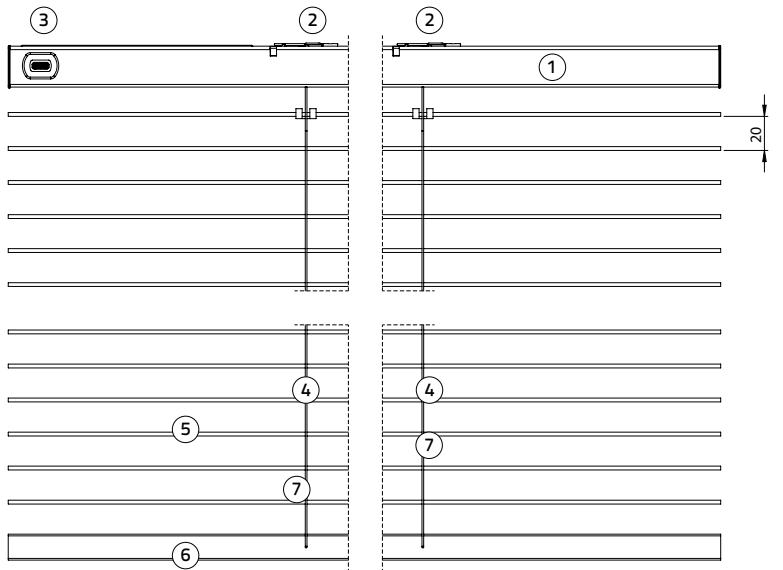
The product height (without brackets) relates to an open blind (open slats). If the slats are closed the blind is longer: ca. 1,5 cm

Product dimensions

Min. width	60 cm
Max. width	see price list
Min. height	40 cm
Max. height	200 cm
Max. m ²	see price list
Max. width Bambus	180 cm
Max. width Lindenwood	200 cm
Max. width Abachiwood	200 cm

Venetian Blind Small System

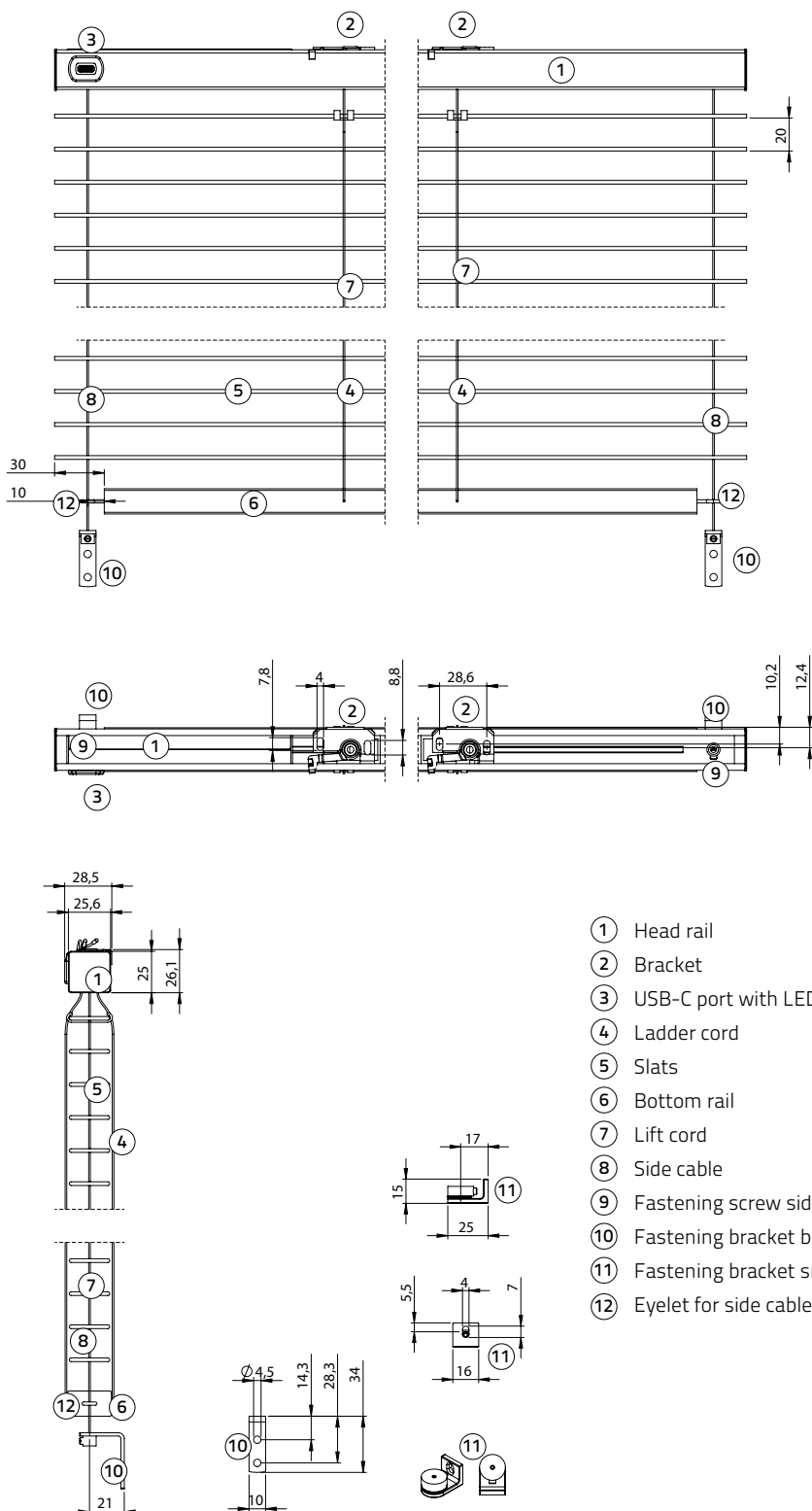
25 mm, Motion Battery



- ① Head rail
- ② Bracket
- ③ USB-C port with LED
- ④ Ladder cord
- ⑤ Slats
- ⑥ Bottom rail
- ⑦ Lift cord

Venetian Blind Small System

25 mm, Motion Battery, side cables



- ① Head rail
- ② Bracket
- ③ USB-C port with LED
- ④ Ladder cord
- ⑤ Slats
- ⑥ Bottom rail
- ⑦ Lift cord
- ⑧ Side cable
- ⑨ Fastening screw side cable
- ⑩ Fastening bracket big (side cable)
- ⑪ Fastening bracket small (side cable)
- ⑫ Eyelet for side cable

ND
SUBLIME
collection

Venetian Blind Solid System

50/65 mm, Pulling cord



- ① Head rail
- ② Valance
- ③ Ladder cord/Ladder tapes
- ④ Pulling cord
- ⑤ Tilt cord
- ⑥ Child safety tassel
- ⑦ Tassels
- ⑧ Slats
- ⑨ Bottom rail

Collection book

Painted Slats
Oiled Slats
Wrapped Slats

Price list

Page 84 - 86

Description

Aluminium head rail color as slats or similar (for oiled slats see design overview); wooden valance (fastening clip), retoures (optional) and wooden bottom rail color as slats; longer retoures possible (without surcharge), colors of the slats and combinations see collection books and design overviews; colors of ladder, lift, tilt and pulling cords and ladder tapes similar as the slats see sample cards CORDS & TAPES 1-4 and PULLING CORDS 5; standard made with ladder cords; ladder tape with surcharge; color child safety tassel as slats or similar (for oiled slats); operating tassels standard from wood in the color of the slats, tassel colors in metal or glass-crystal (surcharge) and cord cleats see sample cards CHAINS & TASSELS.

Slats

Thickness of the slats ca. 3 mm, kind of wood and colors see collection books and design overviews: Painted Slats, Oiled Slats, Wrapped Slats

Operating

Eine Pulling cord with Child safety tassel zum Lift or tilt, Zwei Cords zum Wenden der Slats, cord length and cord cleat up to your choice

Additions (surcharge see price list)

- Ladder tapes 25 mm and 38 mm
- Side cables in silver, white and black, for on de wall and on the ceiling
- Custom colors slats, valance/retoures (optional), bottom rail and head rail color as slats or similar for oiled slats
- Mounting profile for insert ceilings in white
- Custom color mounting profile additional surcharge
- Glass-crystal-tassel

Mounting

Universal-brackets for wall and ceiling

Head rail size incl. bracket and valance

Width 80,9 mm, height 68,2 mm

Packaging height see page 126

A notice

The product height (without brackets) relates to an open blind (open slats). If the slats are closed the blind is longer:

Slat 50 mm = ca. 2 cm

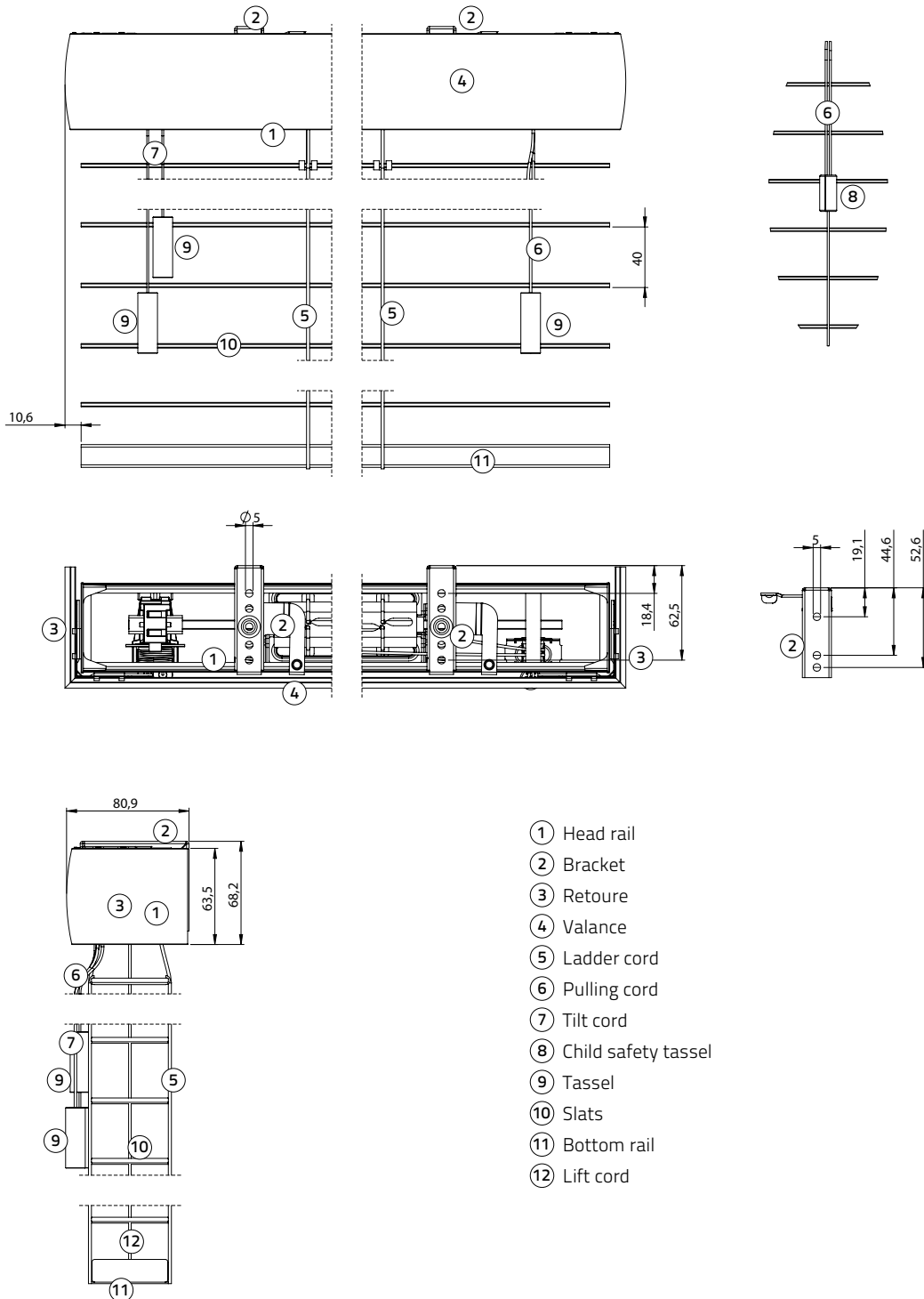
Slat 65 mm = ca. 3 cm

Product dimensions

Min. width	60 cm
Max. width	see price list
Min. height	40 cm
Max. height	400 cm
Max. height Wrapped Slats	300 cm
Max. width Bambus	240 cm
Max. width Lindenwood	300 cm
Max. width Abachiwood	300 cm
Max. width Wrapped Slats	200 cm
Max. m ²	see price list

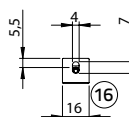
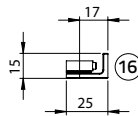
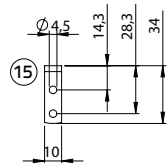
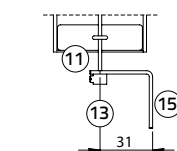
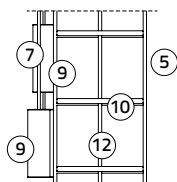
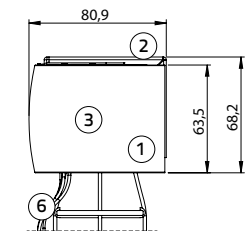
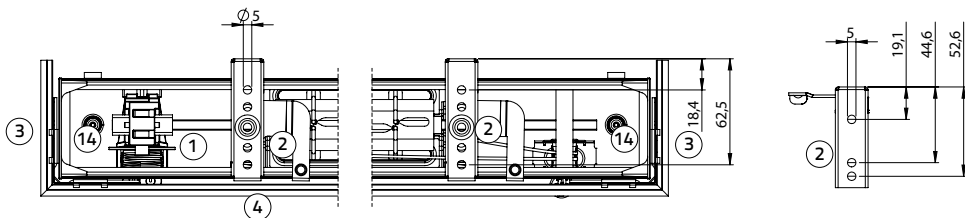
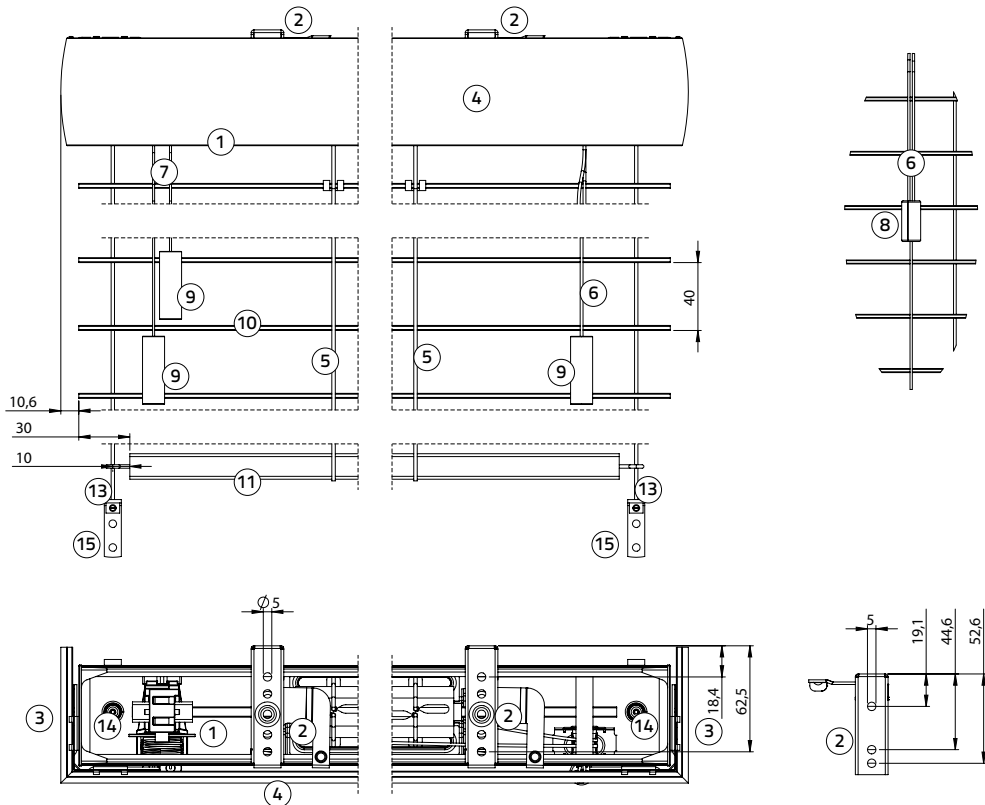
Venetian Blind Solid System

50/65 mm, pulling cord



Venetian Blind Solid System

50/65 mm, pulling cord, side cables

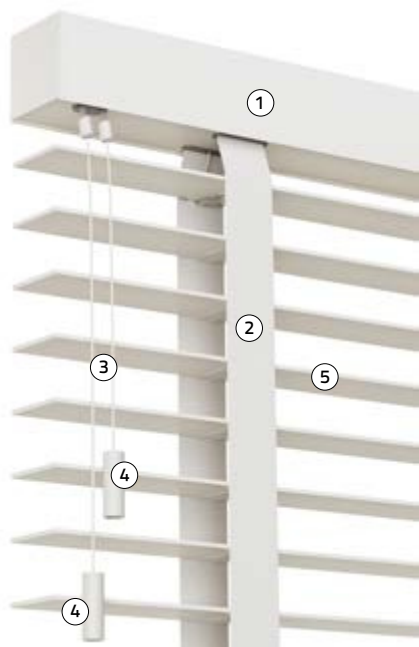


- ① Head rail
- ② Bracket
- ③ Retoure
- ④ Valance
- ⑤ Ladder cord
- ⑥ Pulling cord
- ⑦ Tilt cord
- ⑧ Child safety tassel
- ⑨ Tassel
- ⑩ Slats
- ⑪ Bottom rail
- ⑫ Lift cord
- ⑬ Side cable
- ⑭ Fastening screw side cable
- ⑮ Fastening bracket big (side cable)
- ⑯ Fastening bracket small (side cable)
- ⑰ Eyelet for side cable

ND
SUBLIME
collection

Venetian Blind Solid System

50/65 mm, double cord



- ① Head rail
- ② Ladder tape
- ③ Double cord
- ④ Tassels
- ⑤ Slats

Collection book

Painted Slats
Oiled Slats
Wrapped Slats

Price list

Page 84 - 86

Description

Aluminium head rail color as slats or similar (for oiled slats see design overview); wooden valance (fastening clip), retoures (optional) and wooden bottom rail color as slats; longer retoures possible (without surcharge), colors of the slats and combinations see collection books and design overviews; colors of ladder, lift and double cords as well as ladder tapes similar as the slats see sample cards CORDS & TAPES 1-4 and PULLING CORDS 5; standard made with ladder cords; ladder tapes with surcharge, **no need for child safety tassel**; operating tassels standard from wood in the color of the slats, metal or glass-crystal (surcharge) see sample cards CHAINS & TASSELS.

Slats

Thickness of the slats ca. 3 mm, kind of wood and colors see collection books and design overviews:
Painted Slats, Oiled Slats, Wrapped Slats

Operating

With two separated pulling/tilt cords, **no need for child safety tassel**, length pulling/tilt cords up to your choice

Additions (surcharge see price list)

- Ladder tapes 25 mm and 38 mm
- Side cables in silver, white and black, for on de wall and on the ceiling
- Custom colors slats, valance/retoures (optional), bottom rail and head rail color as slats or similar for oiled slats
- Mounting profile for insert ceilings in white
- Custom color mounting profile additional surcharge
- Glass-crystal-tassel

Mounting

Universal-brackets for wall and ceiling

Head rail size incl. bracket and valance

Width 80,9 mm, height 68,2 mm

Packaging height see page 126

A notice

The product height (without brackets) relates to an open blind (open slats). If the slats are closed the blind is longer:

Slat 50 mm = ca. 2 cm

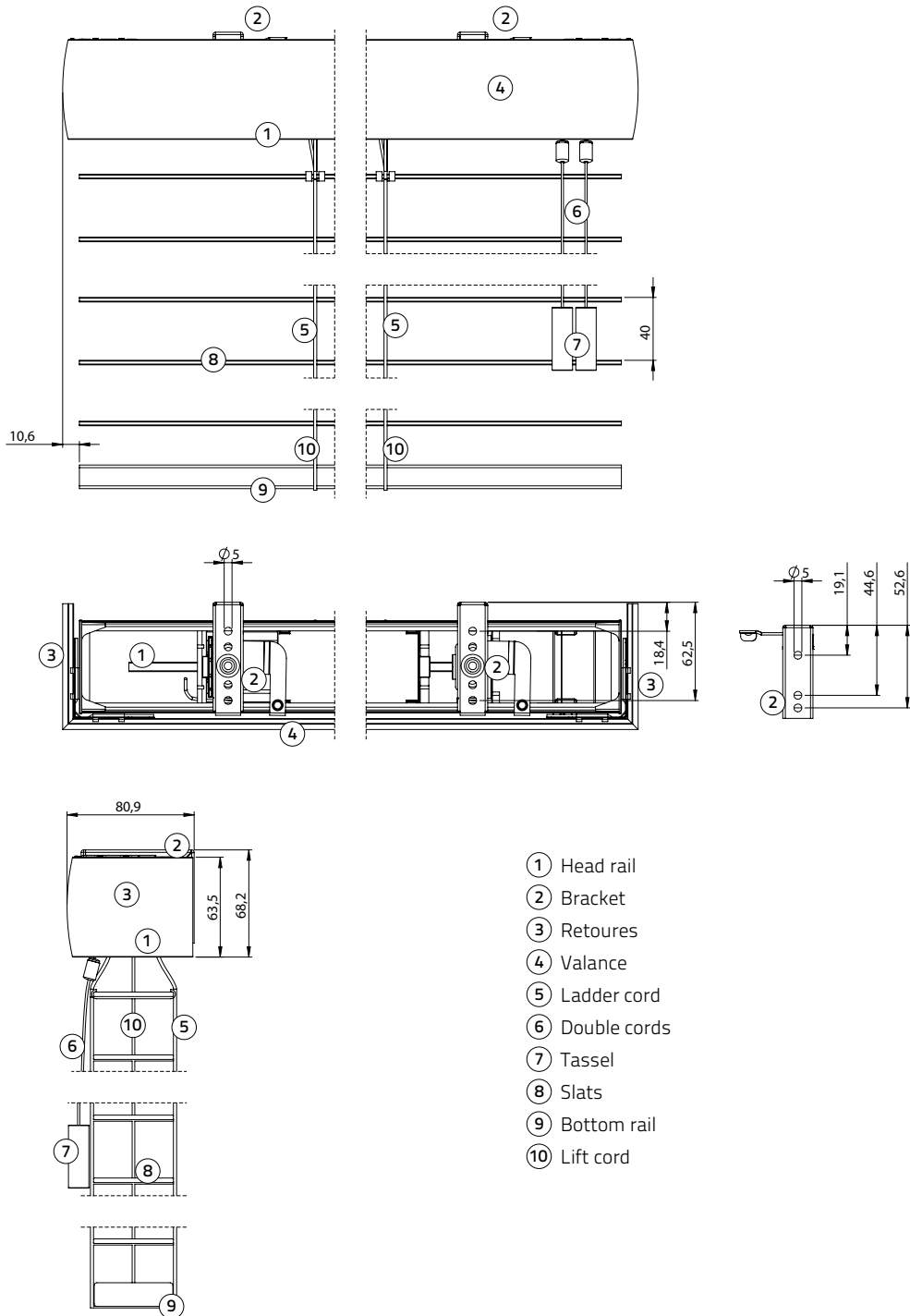
Slat 65 mm = ca. 3 cm

Dimensions

Min. width	60 cm
Max. width	see price list
Min. height	40 cm
Max. height	400 cm
Max. height Wrapped Slats	300 cm
Max. width Bambus	240 cm
Max. width Lindenwood	300 cm
Max. width Abachiwood	300 cm
Max. width Wrapped Slats	200 cm
Max. m ²	see price list

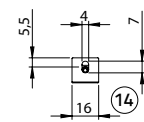
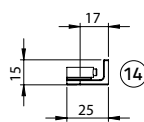
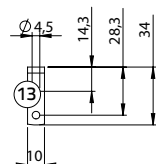
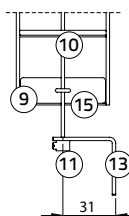
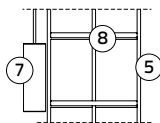
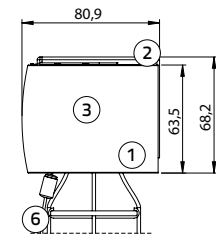
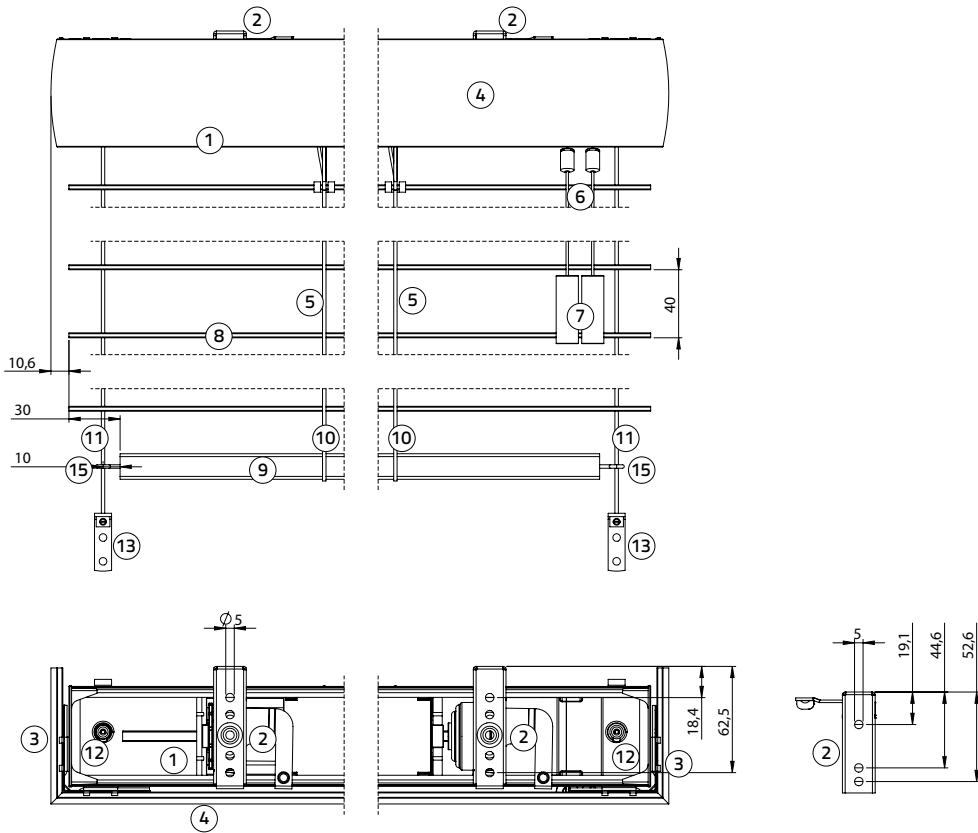
Venetian Blind Solid System

50/65 mm, double cord



Venetian Blind Solid System

50/65 mm, double cord, side cables

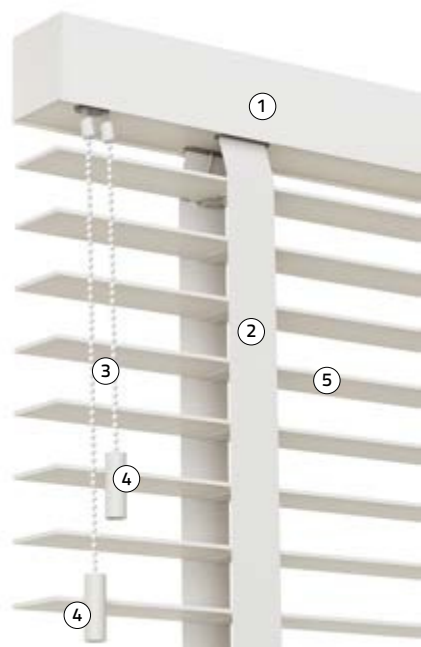


- ① Head rail
- ② Bracket
- ③ Retoures
- ④ Valance
- ⑤ Ladder cord
- ⑥ Double cords
- ⑦ Tassel
- ⑧ Slats
- ⑨ Bottom rail
- ⑩ Lift cord
- ⑪ Side cable
- ⑫ Fastening screw side cable
- ⑬ Fastening bracket big (side cable)
- ⑭ Fastening bracket small (side cable)
- ⑮ Eyelet for side cable

ND
SUBLIME
collection

Venetian Blind Solid System

50/65 mm, double chain



- ① Head rail
- ② Ladder tape
- ③ Double chain
- ④ Tassel
- ⑤ Slats

Collection book

Painted Slats
Oiled Slats
Wrapped Slats

Price list

Page 84 - 86

Description

Aluminium head rail color as slats or similar (for oiled slats see design overview); wooden valance (fastening clip), retoures (optional) and wooden bottom rail color as slats; longer retoures possible (without surcharge), colors of the slats and combinations see collection books and design overviews; colors of ladder and lift cords as well as ladder tapes similar as the slats see sample cards CORDS & TAPES 1-4 and PULLING CORDS 5; standard made with ladder cords; ladder tapes with surcharge, **no need for child safety tassel**; operating tassels standard from metal in the same color as the metal double chains see sample card CHAINS & TASSELS, glass-crystal-tassels (surcharge) see sample card CHAINS & TASSELS.

Slats

Thickness of the slats ca. 3 mm, kind of wood and colors see collection books and design overviews:
Painted Slats, Oiled Slats, Wrapped Slats

Operating

With two separated pulling/tilt chains, **no need for child safety tassel**, length pulling/tilt chains up to your choice

Additions (surcharge see price list)

- Ladder tapes 25 mm and 38 mm
- Side cables in silver, white and black, for on de wall and on the ceiling
- Custom colors slats, valance/retoures (optional), bottom rail and head rail color as slats or similar for oiled slats
- Mounting profile for insert ceilings in white
- Custom color mounting profile additional surcharge
- Glass-crystal-tassel

Mounting

Universal-brackets for wall and ceiling

Head rail size incl. bracket and valance

Width 80,9 mm, height 68,2 mm

Packaging height see page 126

A notice

The product height (without bracket) relates to an open (open slats) blind. If the slats are closed the blind is longer:

Slat 50 mm = ca. 2 cm

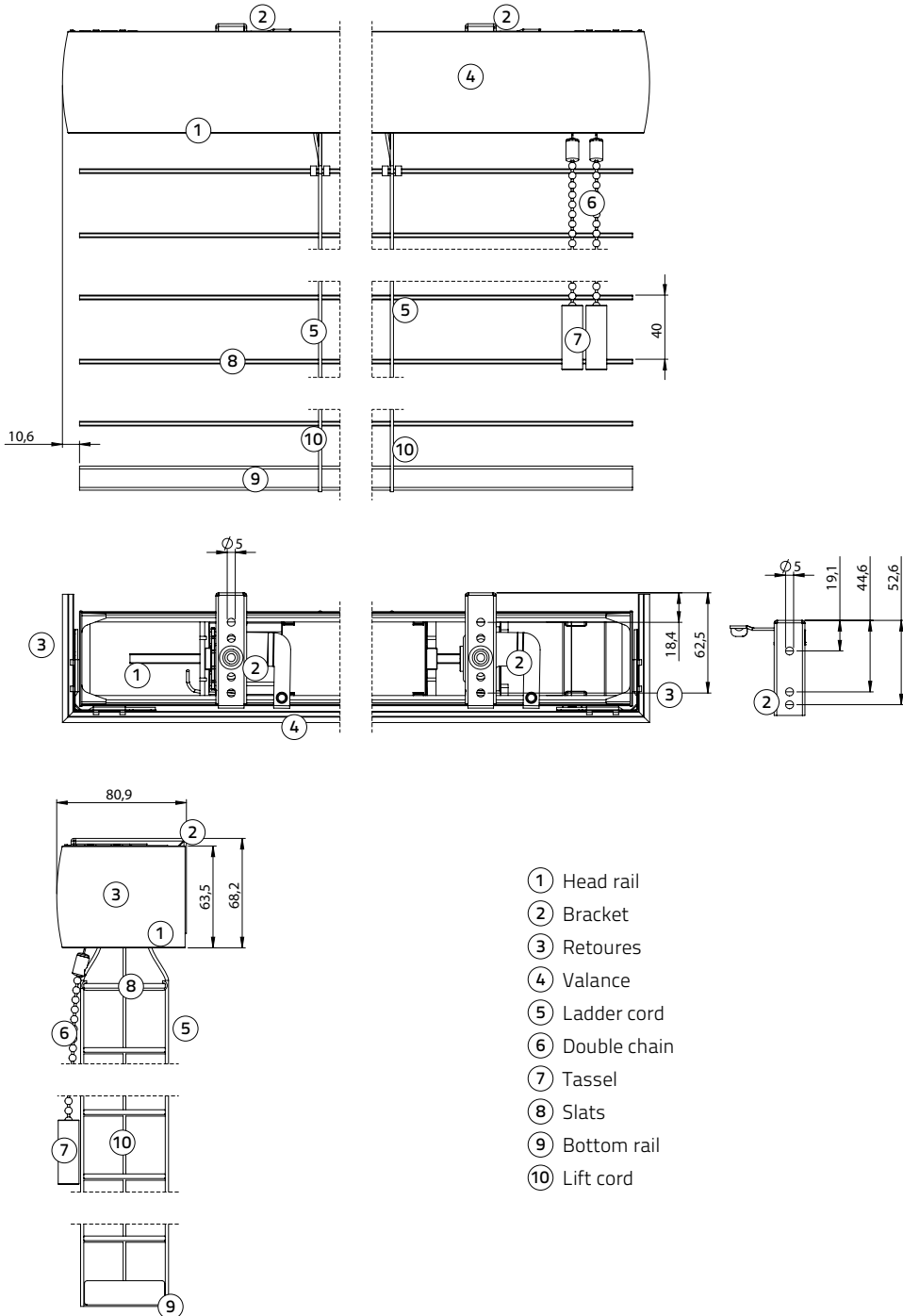
Slat 65 mm = ca. 3 cm

Dimensions

Min. width	60 cm
Max. width	see price list
Min. height	40 cm
Max. height	400 cm
Max. height Wrapped Slats	300 cm
Max. width Bambus	240 cm
Max. width Lindenwood	300 cm
Max. width Abachiwood	300 cm
Max. width Wrapped Slats	200 cm
Max. m ²	see price list

Venetian Blind Solid System

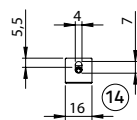
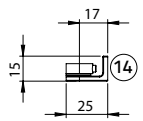
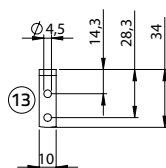
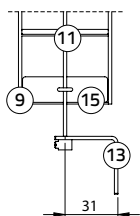
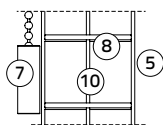
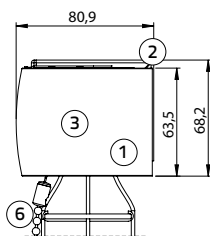
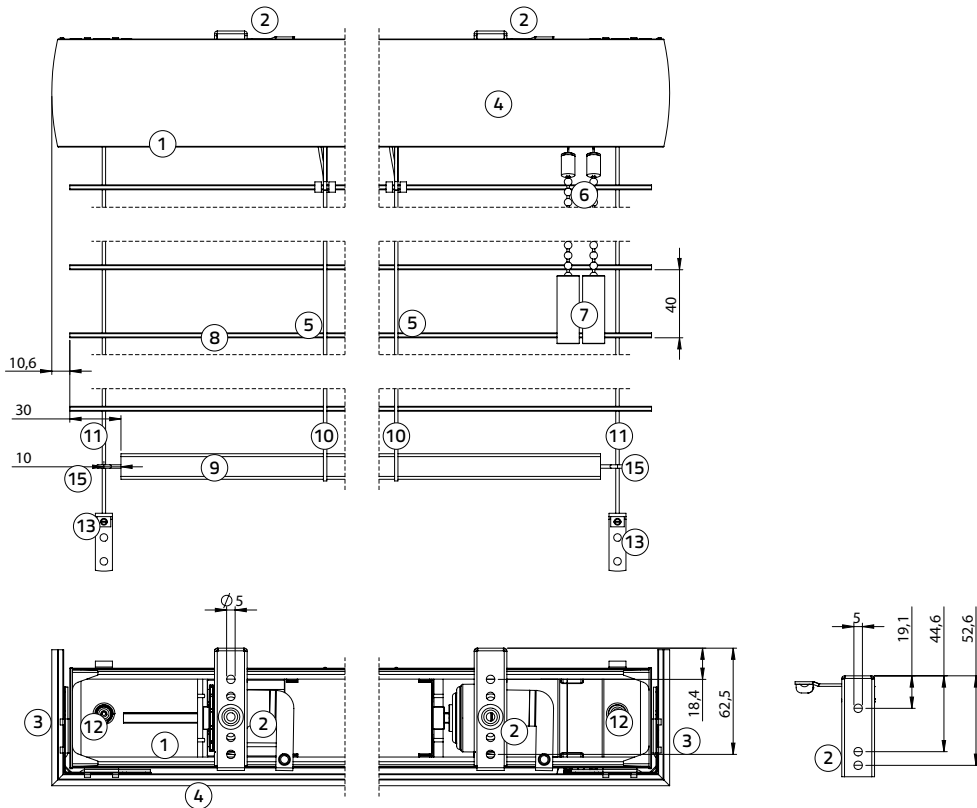
50/65 mm, double chain



- ① Head rail
- ② Bracket
- ③ Retoures
- ④ Valance
- ⑤ Ladder cord
- ⑥ Double chain
- ⑦ Tassel
- ⑧ Slats
- ⑨ Bottom rail
- ⑩ Lift cord

Venetian Blind Solid System

50/65 mm, double chain, side cables

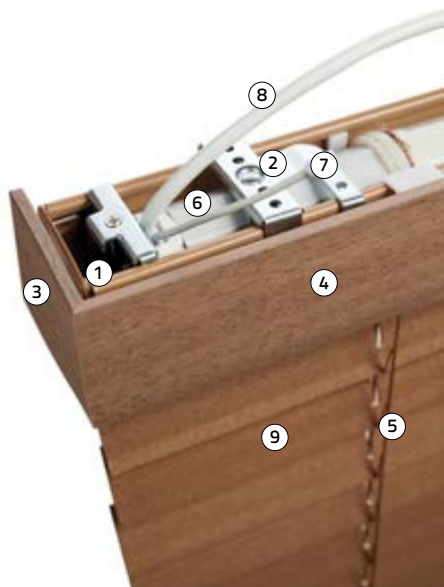


- ① Head rail
- ② Bracket
- ③ Retoures
- ④ Valance
- ⑤ Ladder cord
- ⑥ Double chain
- ⑦ Tassel
- ⑧ Slats
- ⑨ Bottom rail
- ⑩ Lift cord
- ⑪ Side cable
- ⑫ Fastening screw side cable
- ⑬ Fastening bracket big (side cable)
- ⑭ Fastening bracket small (side cable)
- ⑮ Eyelet for side cable

ND
SUBLIME
collection

Venetian Blind Solid System

50/65 mm, Motion 230V



- ① Head rail
- ② Bracket
- ③ Retoure
- ④ Valance
- ⑤ Ladder cord
- ⑥ 230 V Motor
- ⑦ Antenna with QR-code
- ⑧ Power cable
- ⑨ Slats

Collection book

Painted Slats
Oiled Slats
Wrapped Slats

Price list

Page 88 - 90

Description

Aluminium head rail color as slats or similar (for oiled slats see design overview); wooden valance (fastening clip), retoures (optional) and wooden bottom rail color as slats; longer retoures possible (without surcharge), colors of the slats and combinations see collection books and design overviews; colors of ladder and lift cords as well as tapes similar slats see sample cards CORDS & TAPES 1-4 and PULLING CORDS 5; standard are the blinds with ladder cord; ladder tape with surcharge; 230 V Motor; operating with remote control or app, **Smarthome capable with Bluetooth**, manual see the MotionBlinds brochure.

Slats

Thickness of the slats ca. 3 mm, Kind of wood and colors see collection books and design overviews: Painted Slats, Oiled Slats, Wrapped Slats

Operating (see the MotionBlinds brochure)

Somfy Sonesse 40 RTS & Coulissee CM-10-QC: with remote control or app, **Smarthome capable with Bluetooth**

Somfy Sonesse 40 WT & Coulissee CM-10-QMC: for switch, **Bus-system capable**

Additions (surcharge see price list)

- Ladder tapes 25 mm and 38 mm
- Side cables in silver, white and black, for on de wall and on the ceiling
- Custom colors slats, valance/retoures (optional), bottom rail and head rail color as slats or similar for oiled slats
- Mounting profile for insert ceilings in white
- Custom color mounting profile additional surcharge
- Remote controls

Mounting

Universal-brackets for wall and ceiling

Head rail size incl. bracket and valance

Width 80,9 mm, height 68,2 mm

Packaging height see page 126

A notice

The product height (without bracket) relates to an open (open slats) blind. If the slats are closed the blind is longer:

Slat 50 mm = ca. 2 cm

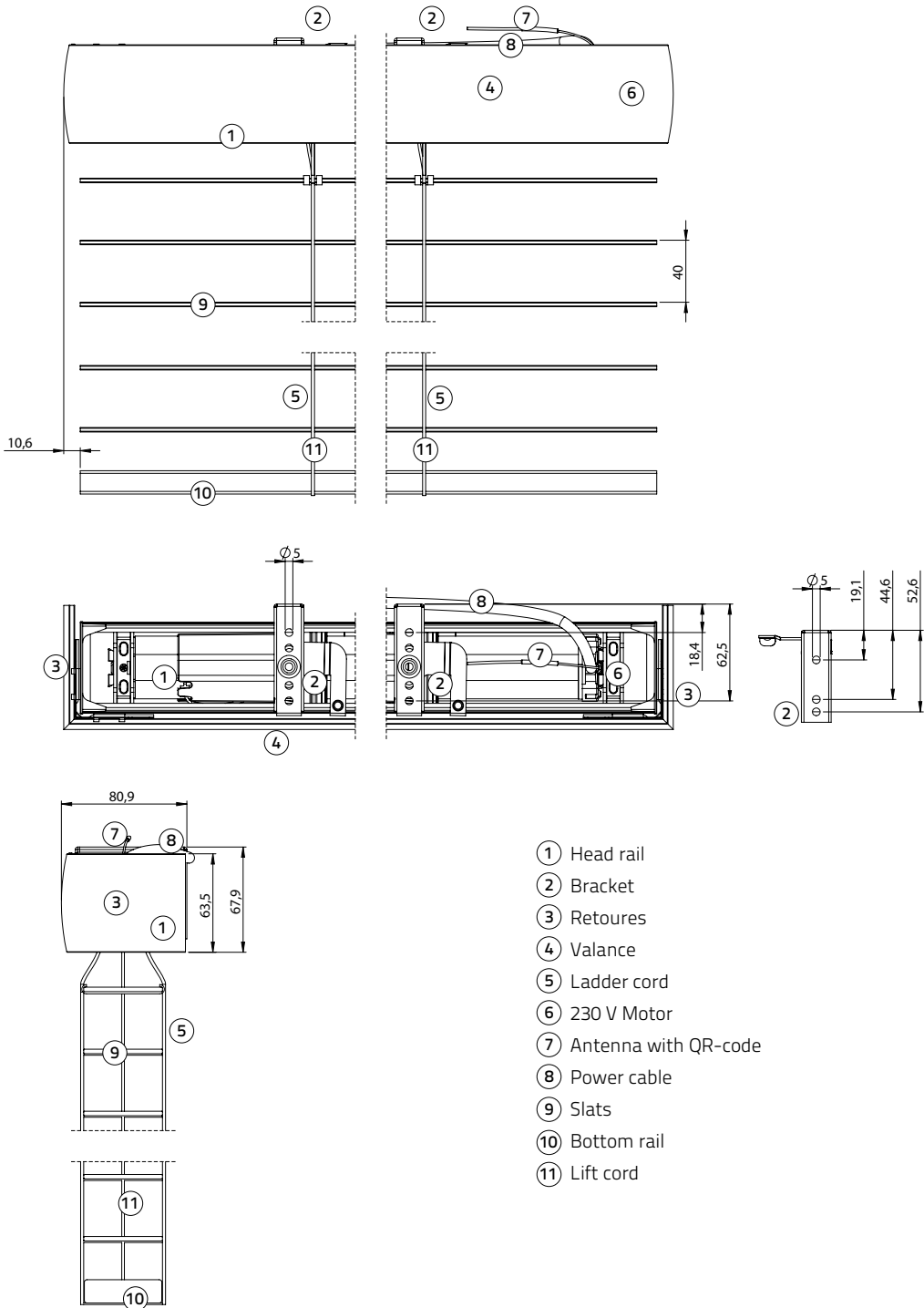
Slat 65 mm = ca. 3 cm

Dimensions

Min. width Somfy Sonesse 40WT	65 cm
Min. width Somfy Sonesse 40RTS	70 cm
Min. width Coulissee CM-10-QC	80 cm
Min. width Coulissee CM-10-QMC	80 cm
Max. width	see price list
Min. height	40 cm
Max. height	300 cm
Max. m ²	see price list
Max. width Bambus	240 cm
Max. width Lindenwood	300 cm
Max. width Abachiwood	300 cm
Max. width Wrapped Slats	200 cm

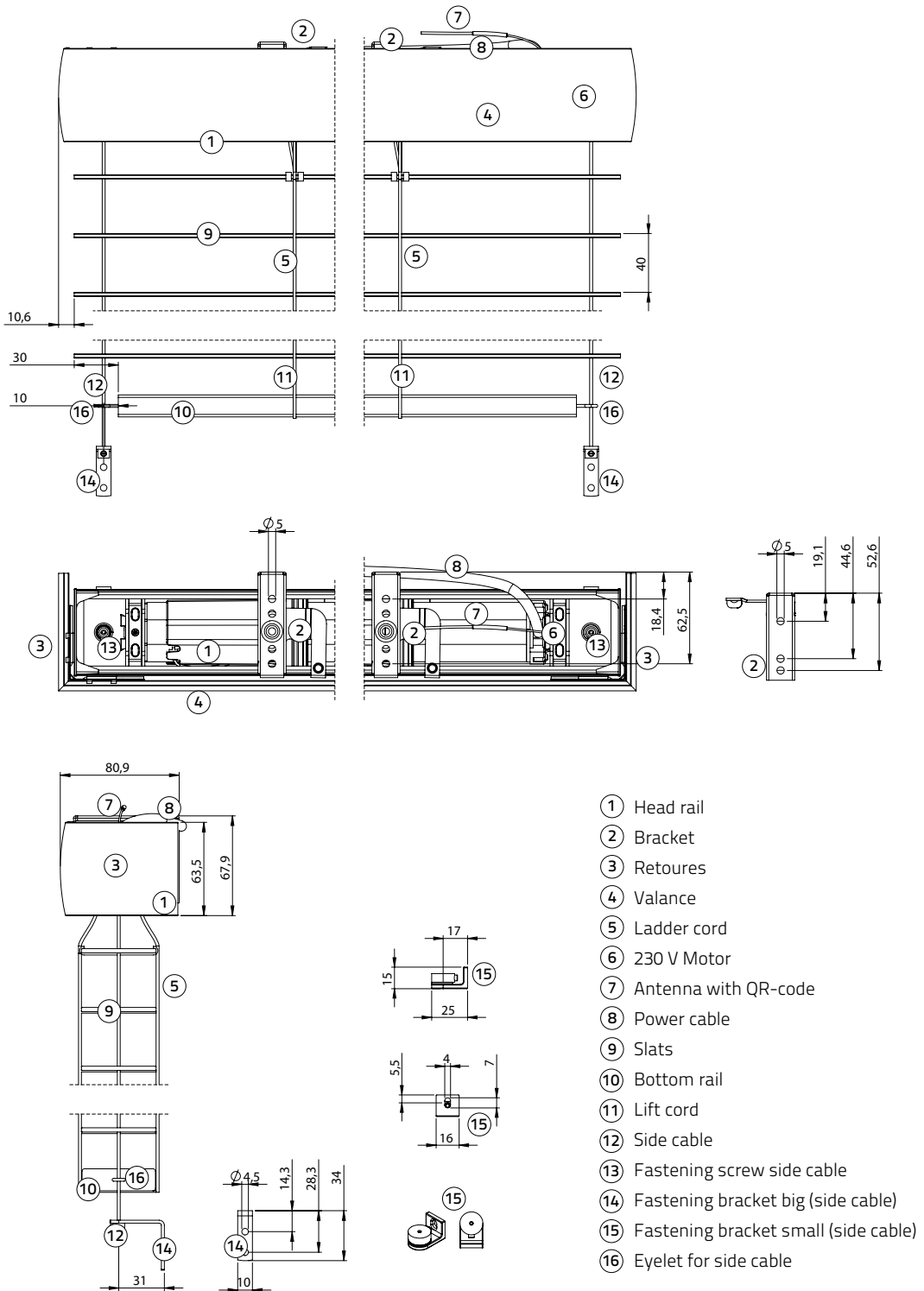
Venetian Blind Solid System

50/65 mm, Motion 230V



Venetian Blind Solid System

50/65 mm, Motion 230V, side cables

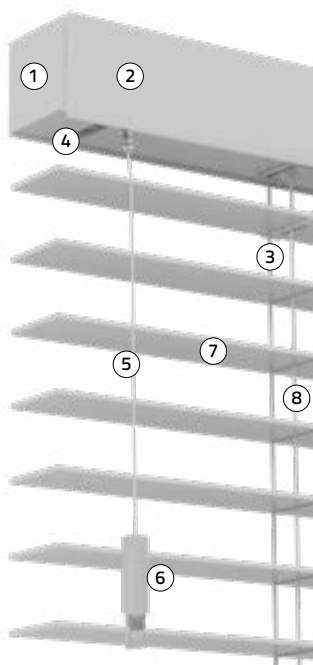


- ① Head rail
- ② Bracket
- ③ Retoures
- ④ Valance
- ⑤ Ladder cord
- ⑥ 230 V Motor
- ⑦ Antenna with QR-code
- ⑧ Power cable
- ⑨ Slats
- ⑩ Bottom rail
- ⑪ Lift cord
- ⑫ Side cable
- ⑬ Fastening screw side cable
- ⑭ Fastening bracket big (side cable)
- ⑮ Fastening bracket small (side cable)
- ⑯ Eyelet for side cable

ND
SUBLIME
collection

Venetian Blind Solid System

50/65 mm, Motion Battery, motor cord



- ① Head rail
- ② Valance
- ③ Ladder cord
- ④ USB-C recharge port with LED
- ⑤ Motor cord
- ⑥ Tassel with QR-code
- ⑦ Slats
- ⑧ Lift cord

Collection book

Painted Slats
Oiled Slats
Wrapped Slats

Price list

Page 92 - 94

Description

Aluminium head rail color as slats or similar (for oiled slats see design overview); wooden valance (fastening clip), retoures (optional) and wooden bottom rail color as slats; longer retoures possible (without surcharge), colors of the slats and combinations see collection books and design overviews; colors of ladder, lift and motor cords as well as tapes similar slats see sample cards CORDS & TAPES 1-4 and PULLING CORDS 5; standard are the blinds with ladder cord; ladder tape with surcharge; operating with rechargeable battery motor, USB-C recharge port with LED; manual see the MotionBlinds brochure; tassel for motor cord from pvc with QR-code, colors see sample cards CHAINS & TASSELS, no need of child safety tassel.

Slats

Thickness of the slats ca. 3 mm, Kind of wood and colors see collection books and design overviews: Painted Slats, Oiled Slats, Wrapped Slats

Operating (see Motion Broschüre)

Coulisse CM-06:

with motor cord, remote control or app,

Smarthome capable with Bluetooth

Coulisse CM-06-E-V (EVE):

with motor cord, remote control or app,

Smarthome capable with Thread and Matter

(from July 2024)

no need of child safety tassel

Additions (surcharge see price list)

- Ladder tapes 25 mm and 38 mm
- Side cables in silver, white and black, for on de wall and on the ceiling
- Custom colors slats, valance/retoures (optional), bottom rail and head rail color as slats or similar for oiled slats
- Mounting profile for insert ceilings in white
- Custom color mounting profile additional surcharge
- USB-C recharge kit, USB power adapter (EU)
 - + 3 meter USB Typ C cabel
- Remote controls

Mounting

Universal-brackets for wall and ceiling

Head rail size incl. bracket and valance

Width 80,9 mm, height 68,2 mm

Packaging height see page 126

A notice

The product height (without bracket) relates to an open (open slats) blind. If the slats are closed the blind is longer

Slat 50 mm = ca. 2 cm

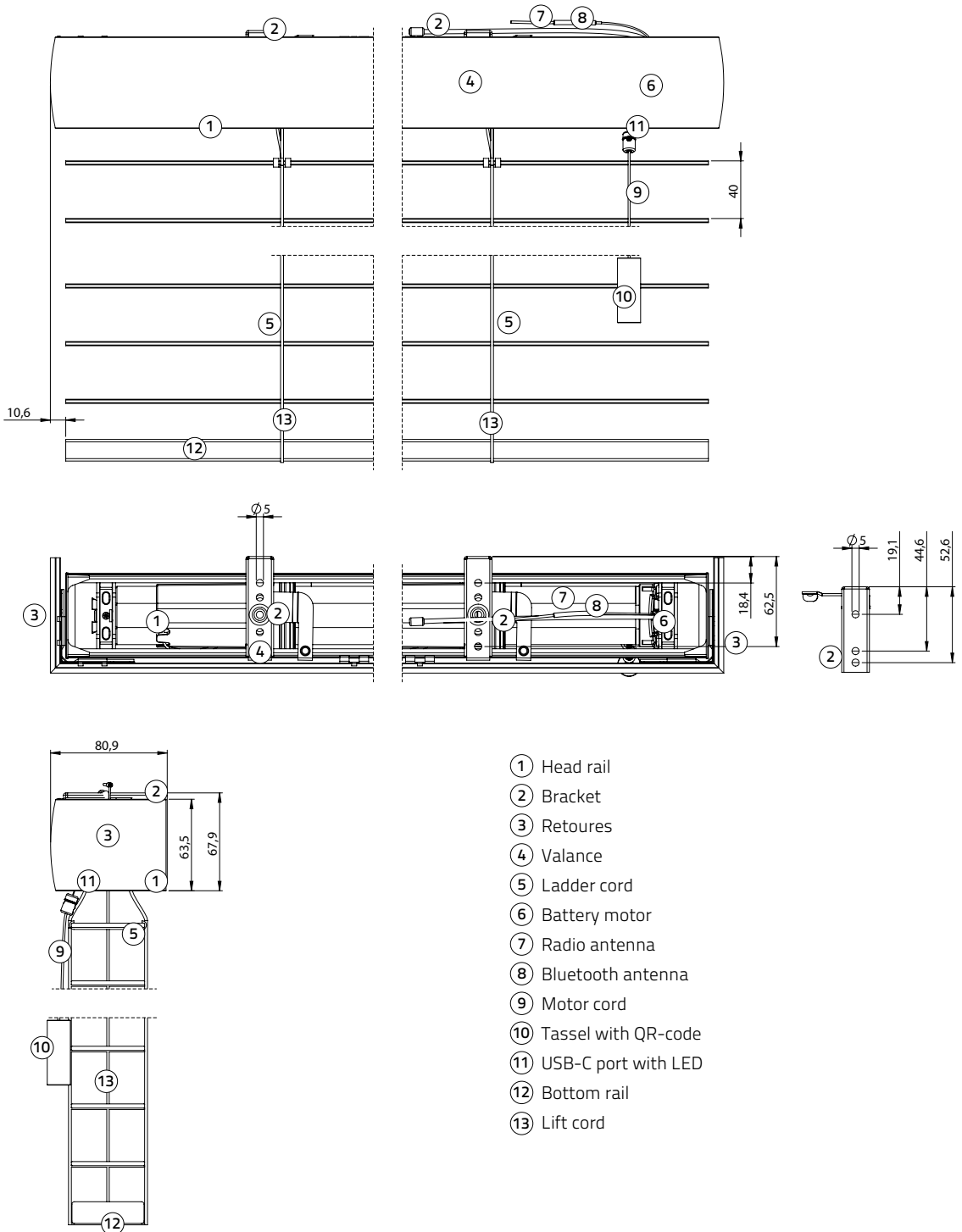
Slat 65 mm = ca. 3 cm

Dimensions

Min. width Coulisse CM-06	80 cm
Min. width Coulisse CM-06-E-V	85 cm
Max. width	see price list
Min. height	40 cm
Max. height	370 cm
Max. height Wrapped Slats	300 cm
Max. m ²	see price list
Max. width Bambus	240 cm
Max. width Lindenwood	300 cm
Max. width Abachiwood	300 cm
Max. width Wrapped Slats	200 cm

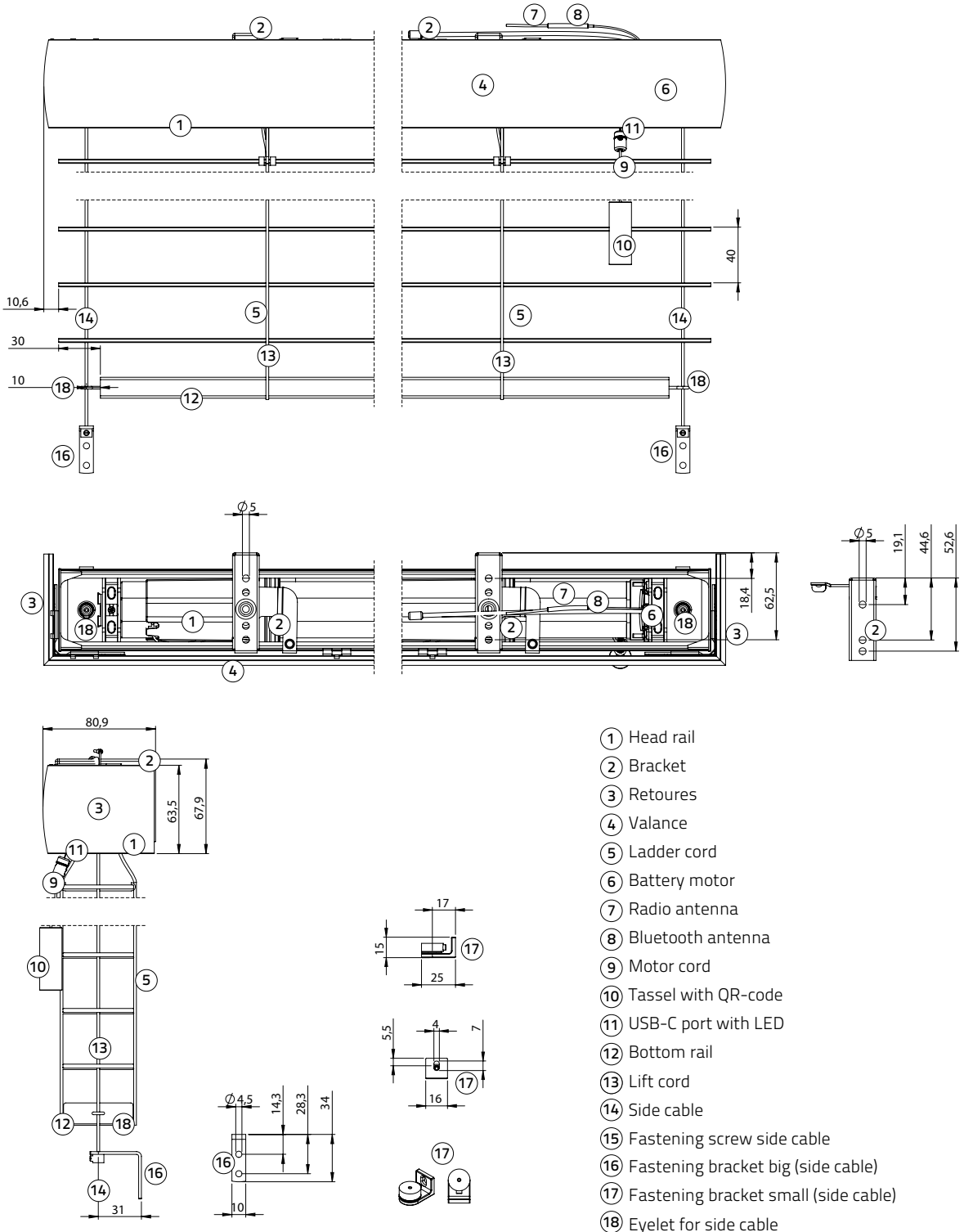
Venetian Blind Solid System

50/65 mm, Motion Battery, motor cord



Venetian Blind Solid System

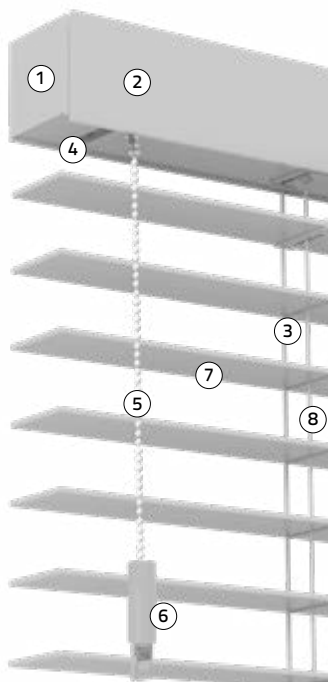
50/65 mm, Motion Battery, motor cord,
side cables



ND
SUBLIME
collection

Venetian Blind Solid System

50/65 mm, Motion Battery, Motor chain



- ① Head rail
- ② Valance
- ③ Ladder cord
- ④ Port with LED
- ⑤ Motor chain
- ⑥ Tassel with QR-code
- ⑦ Slats
- ⑧ Lift cord

Collection book

Painted Slats
Oiled Slats
Wrapped Slats

Price list

Page 92 - 94

Description

Aluminium head rail color as slats or similar (for oiled slats see design overview); wooden valance (fastening clip), retoures (optional) and wooden bottom rail color as slats; longer retoures possible (without surcharge), colors of the slats and combinations see collection books and design overviews; colors of ladder, lift and ladder tapes similar slats see sample cards CORDS & TAPES 1-4 and PULLING CORDS 5; standard are the blinds with ladder cord; ladder tape with surcharge; operating with rechargeable battery motor, USB-C recharge port with LED; manual see the MotionBlinds brochure; motor chain from metal, colors see sample card CHAINS & TASSELS; tassel for motor chain from pvc with QR-code, colors see sample cards CHAINS & TASSELS, no need of child safety tassel.

Slats

Thickness of the slats ca. 3 mm, Kind of wood and colors see collection books and design overviews: Painted Slats, Oiled Slats, Wrapped Slats

Operating (see Motion Broschüre)

Coulisse CM-06:

with motor cord, remote control or app,

Smarthome capable with Bluetooth

Coulisse CM-06-E-V (EVE):

with motor cord, remote control or app,

Smarthome capable with Thread and Matter

(from July 2024)

no need of child safety tassel

Additions (surcharge see price list)

- Ladder tapes 25 mm and 38 mm
- Side cables in silver, white and black, for on de wall and on the ceiling
- Custom colors slats, valance/retoures (optional), bottom rail and head rail color as slats or similar for oiled slats
- Mounting profile for insert ceilings in white
- Custom color mounting profile additional surcharge
- USB-C recharge kit, USB power adapter (EU)
+ 3 meter USB Typ C cabel
- Remote controls

Mounting

Universal-brackets for wall and ceiling

Head rail size incl. bracket and valance

Width 80,9 mm, height 68,2 mm

Packaging height see page 126

A notice

The product height (without bracket) relates to an open (open slats) blind. If the slats are closed the blind is longer

Slat 50 mm = ca. 2 cm

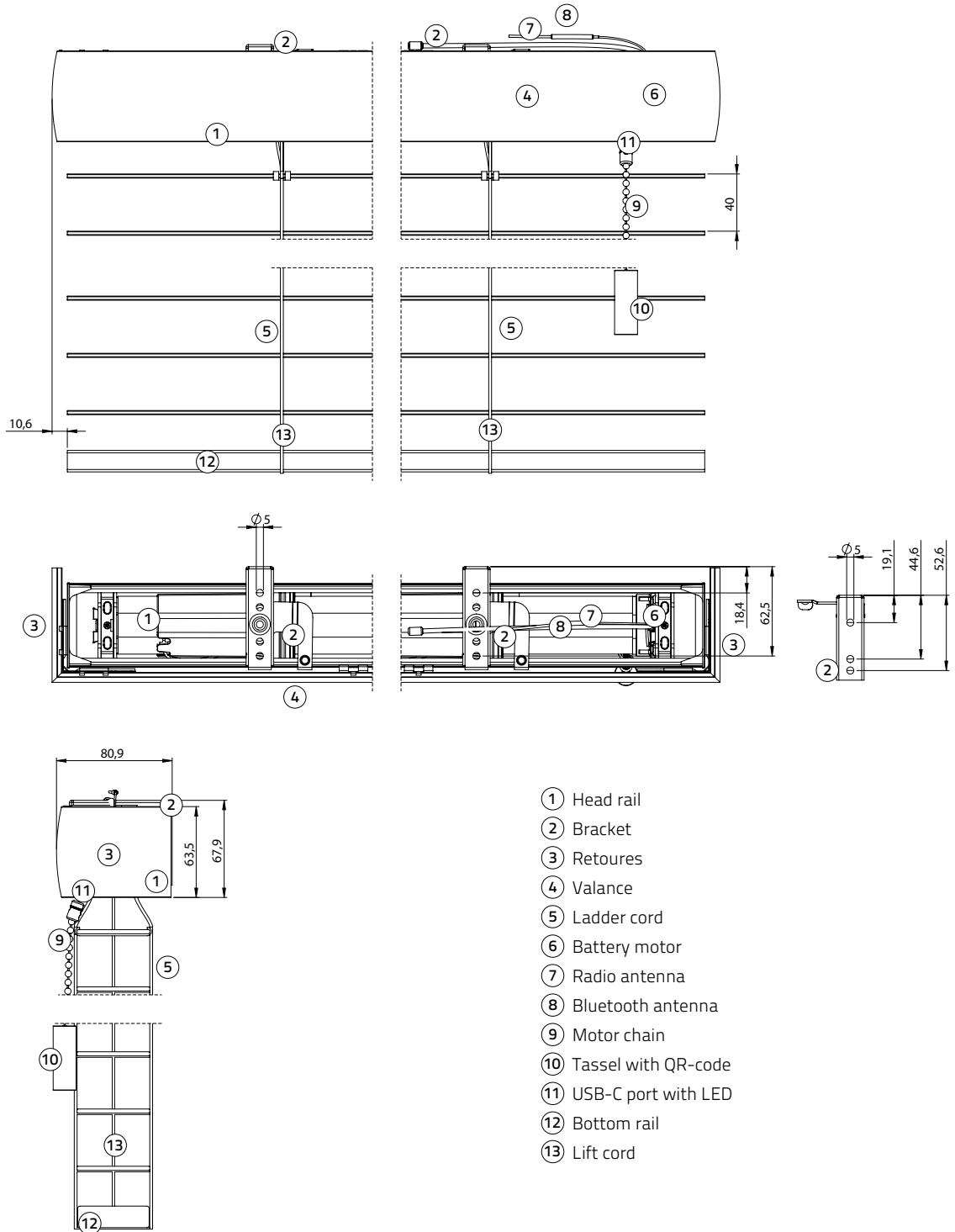
Slat 65 mm = ca. 3 cm

Dimensions

Min. width Coulisse CM-06	80 cm
Min. width Coulisse CM-06-E-V	85 cm
Max. width	see price list
Min. height	40 cm
Max. height	370 cm
Max. height Wrapped Slats	300 cm
Max. m ²	see price list
Max. width Bambus	240 cm
Max. width Lindenwood	300 cm
Max. width Abachiwood	300 cm
Max. width Wrapped Slats	200 cm

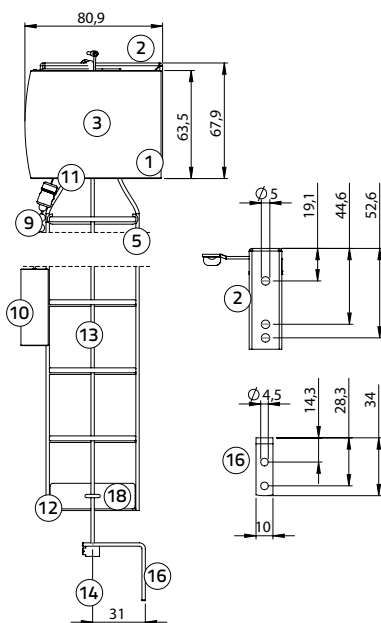
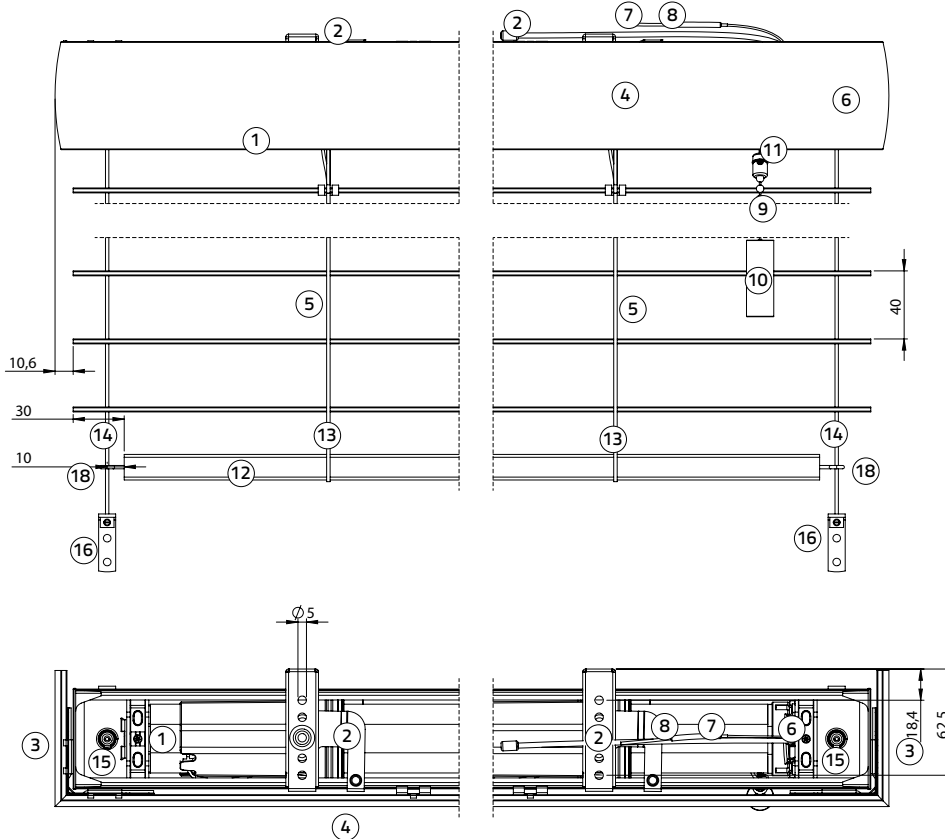
Venetian Blind Solid System

50/65 mm, Motion Battery, motor chain



Venetian Blind Solid System

50/65 mm, Motion Battery, motor chain,
side cables



- ① Head rail
- ② Bracket
- ③ Retoures
- ④ Valance
- ⑤ Ladder cord
- ⑥ Battery motor
- ⑦ Radio antenna
- ⑧ Bluetooth antenna
- ⑨ Motor chain
- ⑩ Tassel with QR-code
- ⑪ USB-C port with LED
- ⑫ Bottom rail
- ⑬ Lift cord
- ⑭ Side cable
- ⑮ Fastening screw side cable
- ⑯ Fastening bracket big (side cable)
- ⑰ Fastening bracket small (side cable)
- ⑱ Eyelet for side cable

ND
SUBLIME
collection